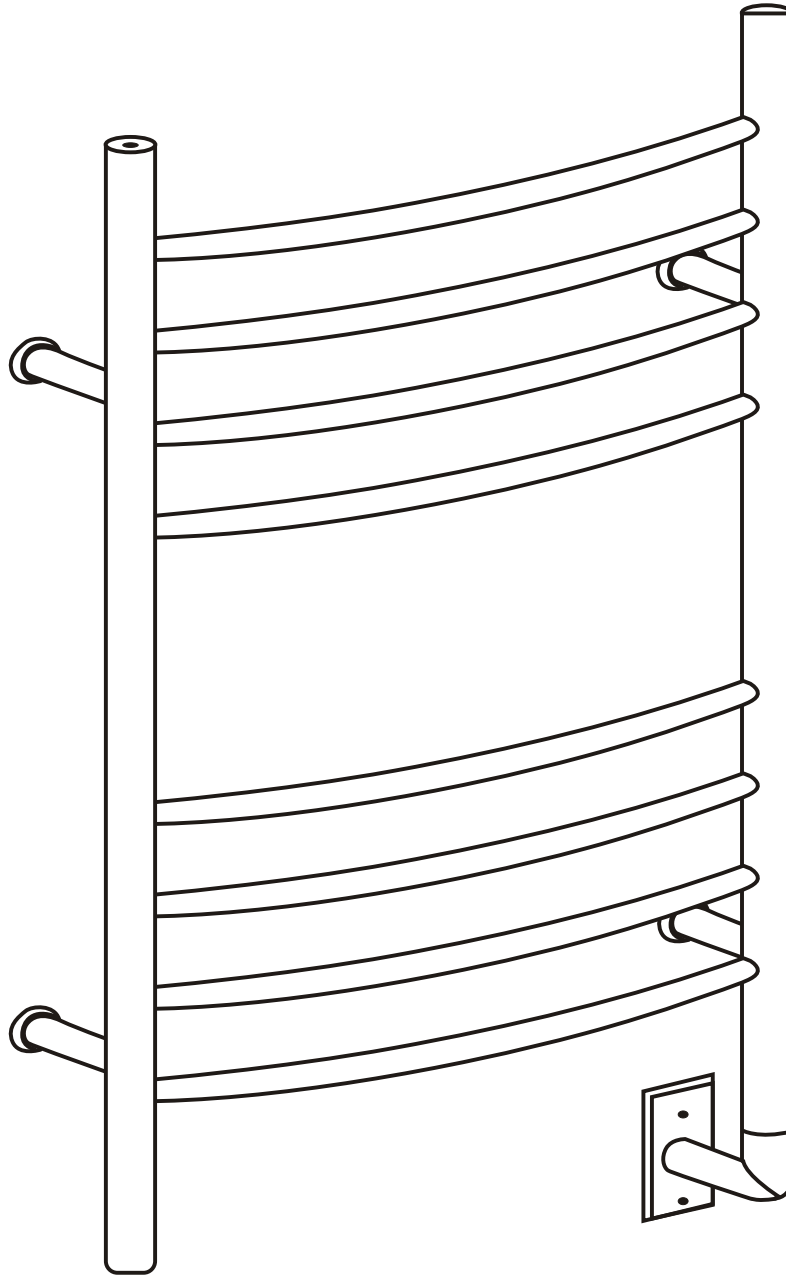


# ANCONA



## Comfort 8 Wall Hardwire Installation and Operations Manual

## REQUIRED TOOLS

STARHEAD SCREWDRIVERS



ALLEN KEY



FLAT HEAD SCREWDRIVERS



PENCIL



DRILL & BIT

ø8mm

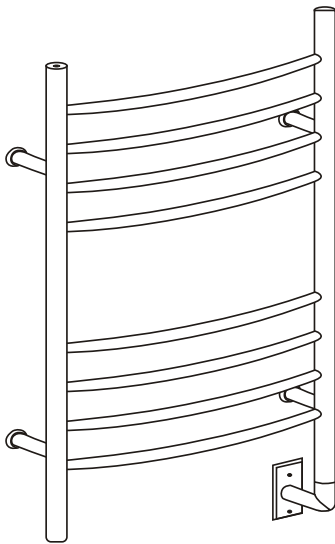
MEASURING TAPE



LEVEL



ELECTRICAL REQUIREMENTS: 120V, 130W, 60Hz, 1.1A



## PARTS FOR WALL-MOUNTED HARDWARE INSTALLATION

Fig . 1



Plastic Plug  
4 pcs ø8 mm



Large Set Screw  
4pcs



Allen Key (small)  
1pc



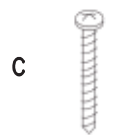
Metal Wall Post  
4 pcs



Plastic Insert  
4 pcs



Allen Key (large)  
1pc



Long Screw  
4 pcs



Set Screw  
4pcs



Metal Wall Leg  
4 pcs

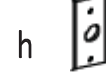
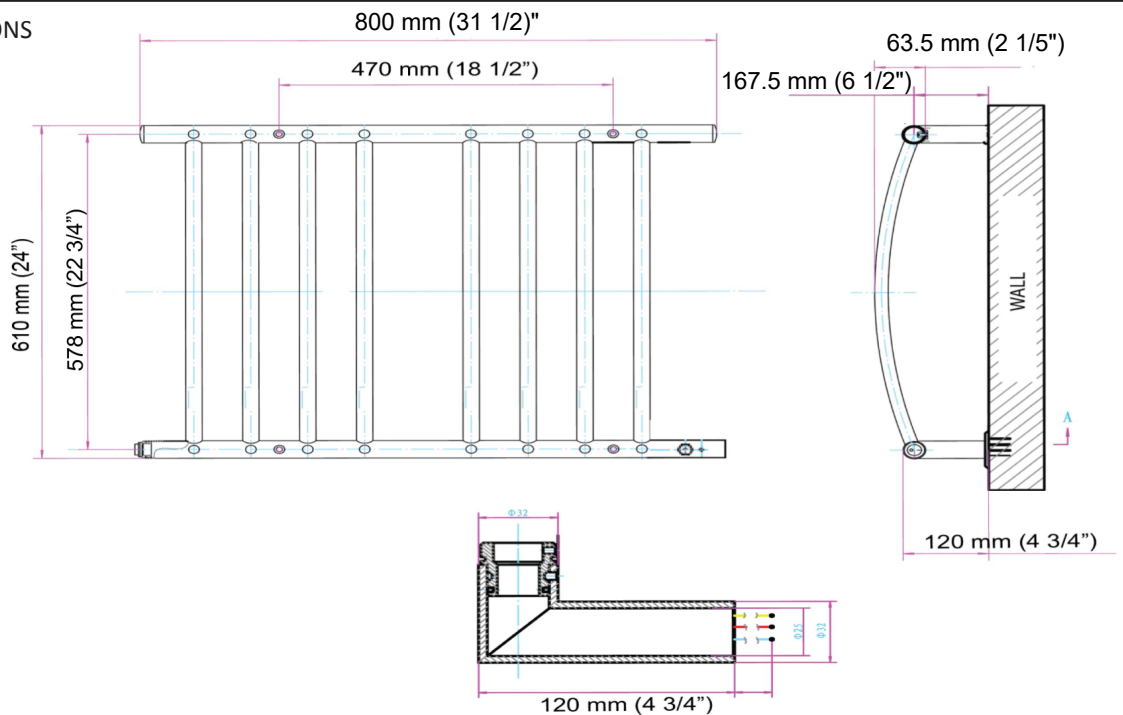


Plate  
1pc



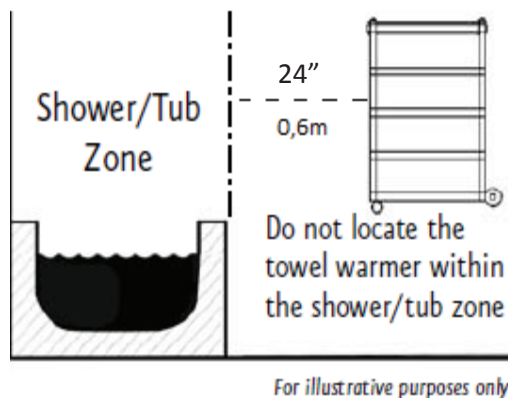
Wall Plate Screws  
2 pcs

## PRODUCT DIMENSIONS



**CAUTION**

1. Install in accordance with national and local codes
2. Do not install in the shower, sauna or any wet locations
3. Make sure towel warmer is properly secured to the wall before use.



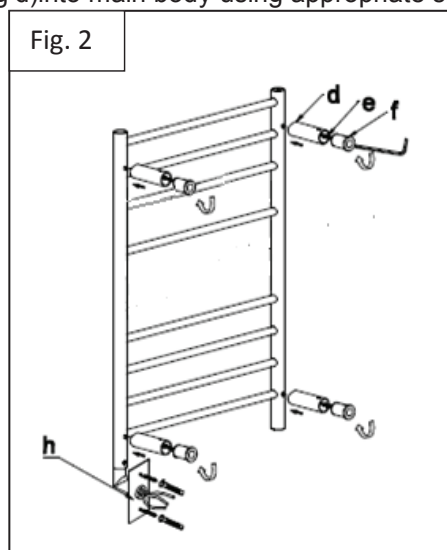
## INSTALLATION

### Step 1: Verifying installation parts (Fig.1)

- Ensure all parts for mounting installation were supplied with your towel warmer. (See Fig.1)
- If any are missing, please contact us.

### Step 2: Installing metal wall legs (Fig.2)

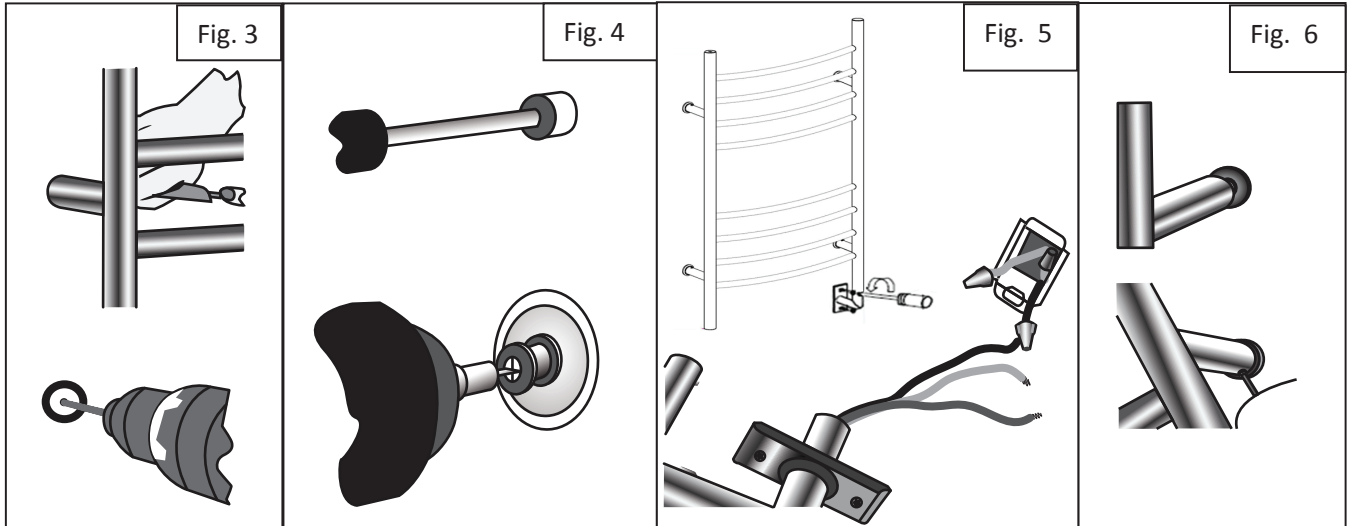
- Locate the following parts:
  - o d: Metal Wall Leg
  - o e: Large Screw to set post in main body (this part may already be installed inside the Metal Wall Leg)
  - o f: Plastic Insert (this part may already be installed inside the Metal Wall Leg)
  - o g: Set Screw (this part may already be installed inside the Metal Wall Leg) (See Fig.6)
- Position parts correctly:
  - o Plastic Insert f) is positioned inside Metal Wall Leg d)
  - o Large Screw e) is positioned inside the Plastic Insert f)
  - o Set Screw g) is inserted in Metal Wall Leg d) (See Fig.6)
  - o If the Metal Post b) is inserted into the Metal Wall Leg d) remove it
- Install Metal Wall Leg d)
  - o Position Metal Wall Leg d) onto the towel warmer where the Large Screws e) can be inserted
  - o Insert Large Screw e) and screw Metal Wall Leg d) into main body using appropriate sized Allen key
  - o Repeat for all four (4) Metal Wall Legs



## INSTALLATION (cont.)

### **Step 3: Marking holes for wall mount posts (Fig. 3)**

- Take towel warmer with four (4) Metal Wall Legs mounted, as per Step 2
- Position against the wall where you will want to install the towel warmer
- Ensure the Hard Wire Leg is also turned in at 90 degrees so you can also mark this leg
- Use light pencil to mark legs on the wall (you may want to erase the pencil mark following installation completion, so make sure you mark lightly)



### **Step 4: Installing wall posts (Fig.4)**

- If installing on dry wall with no rear beam support (e.g. wood studs):
  - o Drill a hole in the center of each of the four (4) circles marked on the wall as per Step 3
  - o Ensure the drilled hole is large enough to insert the Plastic Plug provided a)
  - o Insert/screw the Plastic Plug into each of the four (4) holes
  - o Position Wall Post b) on top of Plastic Plug and put in Screw c) to set in place
- If installing on surface with rear support, e.g. wood studs (no need for Plastic Plug a)
  - o Pre-drill small hole in the center of each circle as per step 3
  - o Position Wall Post b) on top of pre-drilled hole and put in Screw c) to set in place

### **Step 5: Installing hard wire leg (Fig.5)**

- Create a hole in the wall to let the Hard Wire Leg go through (approx. 2" x 3 3/4")
- The leg will be covered by Plate h) so the hole should be large enough to allow space for electrical connection and leg to go through but not too large so that the plate can cover it fully
- Electrical wiring must be done by qualified professionals and in accordance with all applicable codes and standards, including fire-rated constructions (refer to Electrical Requirements on Page 1)

### **Step 6: Mounting main body onto wall (Fig.6)**

- Take main body and position each of the four (4) legs on top of the Wall Posts b)
- Once inserted use appropriate sized Allen key to tighten each Set Screw g)
- The installation should now be complete

### **Step 7: Test the towel warmer**

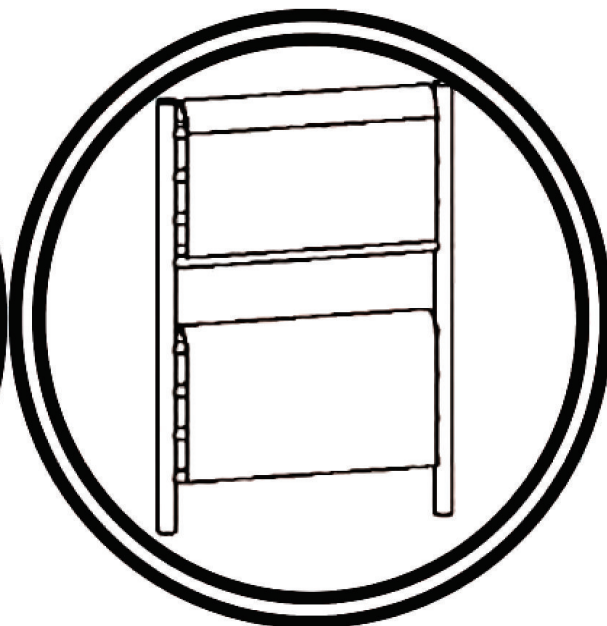
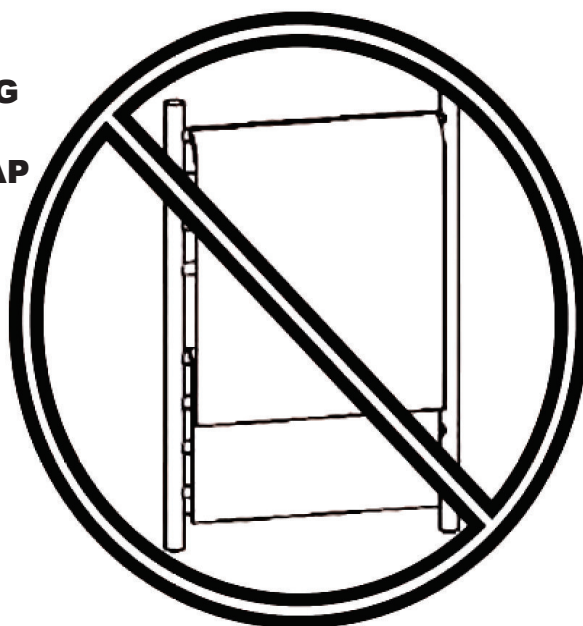
- Remove protective white caps, they are located at the end of each of the vertical bars
- Turn the switch on to start towel warmer; the On-Off switch is located at the end of one of the posts
- The towel warmer should reach its pre-set temperature in approximately 15 minutes
- This towel warmer is designed to operate continuously and can be left on all the times. To save electricity it can be turned off when not in use.

**CAUTION - Overlapping towels may increase towel warmer temperatures.**



**PROPERLY HANG  
TOWELS.**

**DO NOT OVERLAP  
TOWELS.**



## Operation and Maintenance Instructions

- After installation, connect the electric power and turn on the switch. The indicator light will show red and the towel warmer will start to work.
- Turn off the switch when the towel warmer is not in use. The indicator light will turn dark and the towel warmer will stop working.
- Clean the towel warmer with a soft dry towel. Do not clean with abrasive cleaning powder.



## HIGH OPERATING TEMPERATURE!

- Towel warmers are designed for heating towels and bathrobes and should not be used for other purposes. The manufacturer or reseller assumes no liability if the device is used in combination with equipment or accessories not sold by the manufacturer.
- Never stand, sit or climb on the unit.
- This towel warmer operates at high temperatures that can cause burns. Do not touch surfaces of the towel warmer while the warmer is in operation. The unit is designed to warm up towel and may become very hot.
- Do not allow unsupervised children in the vicinity of the towel warmer; and warn children of hot surfaces. An adult must supervise when the device is used by or near children.
- Unplug the unit and ensure that the electrical circuit breaker is off the main panel before wiring, carrying out a repair or servicing your heated towel warmer.
- Do not place your towel warmer inside a shower, sauna or plunge into the water.
- To ensure continued protection against risk of electric shock, plug the unit into a properly grounded outlet.
- Approved for domestic use only. Do not use outdoors.

*Information : [info@anconahoods.com](mailto:info@anconahoods.com) or 1-800-350-4562*