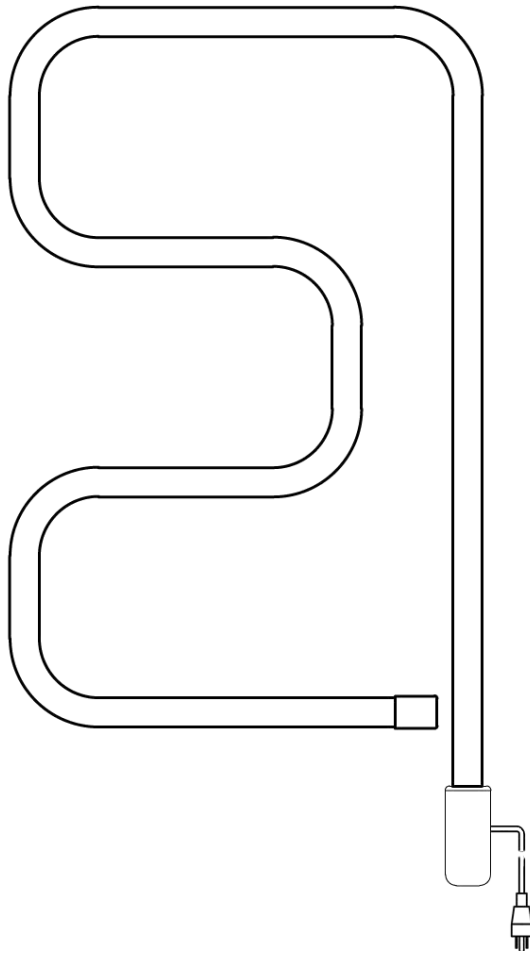
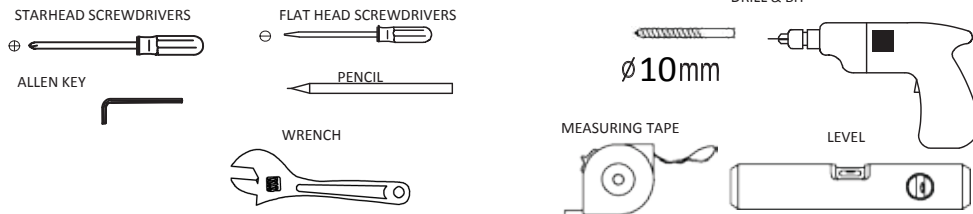


ANCONA



Comfort Wall Swivel Towel Warmer Installation and Operations Manual

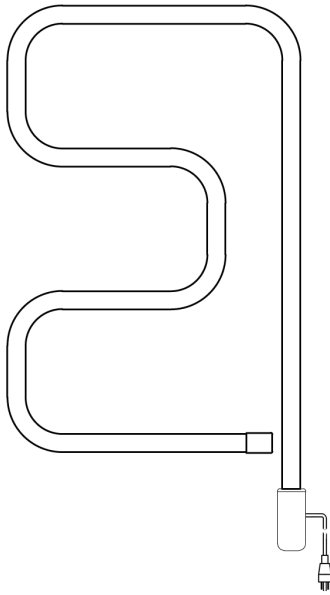
REQUIRED TOOLS



ELECTRICAL REQUIREMENTS: 120V, 60W, 50/60Hz, 0.54A, IP44. MUST HAVE A GROUND CONNECTION. READ ALL INSTRUCTIONS IN THE MANUAL BEFORE INSTALLING THIS TOWEL WARMER.

PARTS FOR WALL-MOUNTED PLUG-IN INSTALLATION

Fig . 1

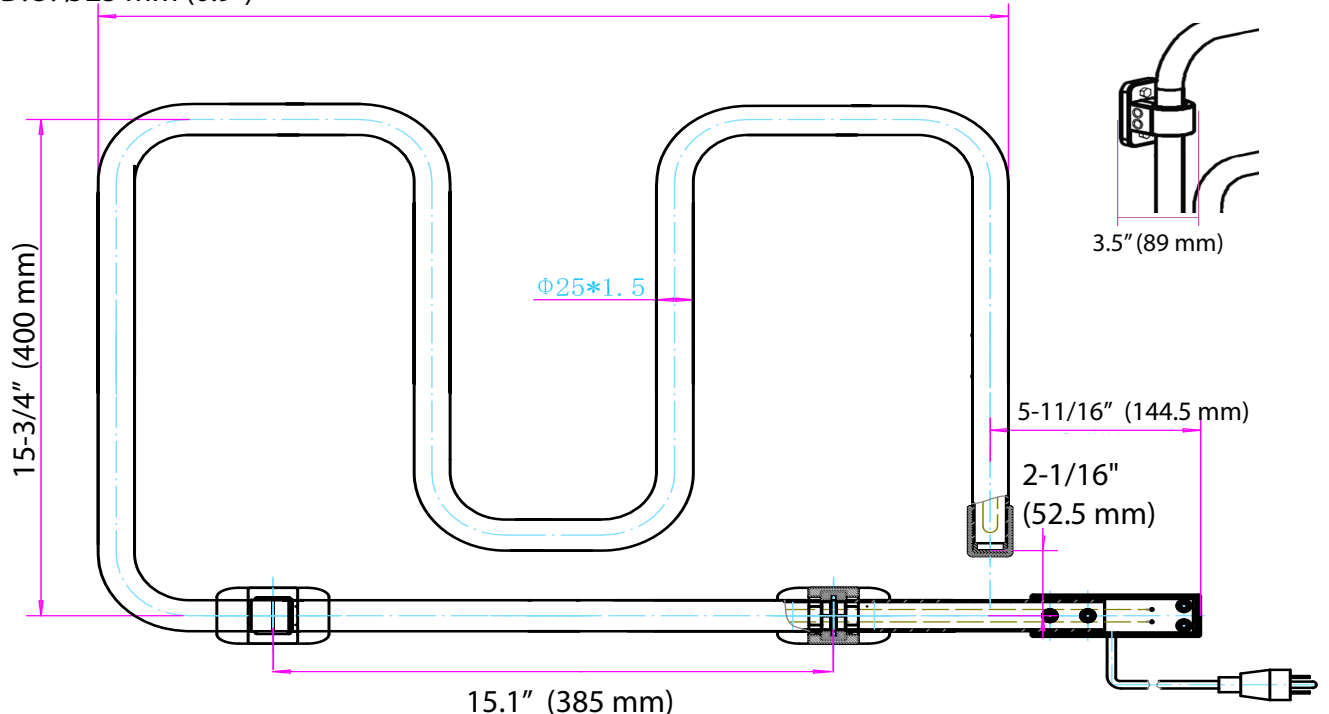


- a** Long Screw ST6*65
4 pcs
- b** Washer
4 pcs
- c** Hinge Assembly
2 pcs
- d** Plastic Anchor
4 pcs

PRODUCT DIMENSIONS

O.D.O. Ø25 mm (0.9")

23.6" (600 mm)

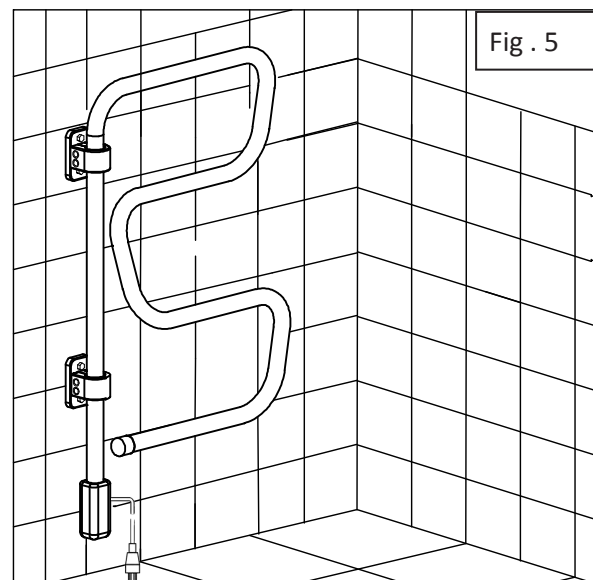
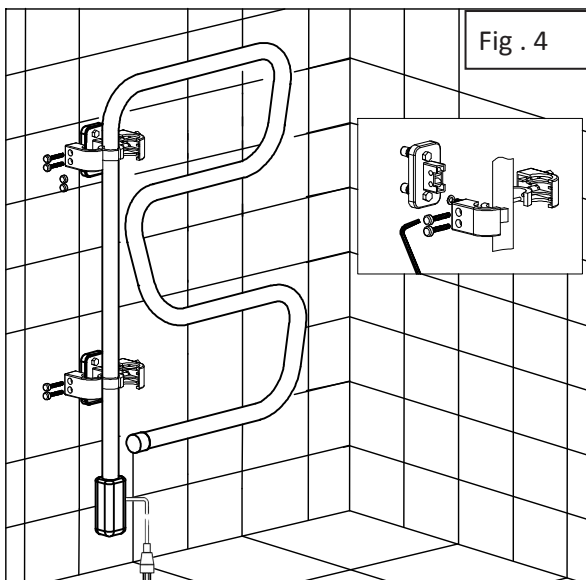
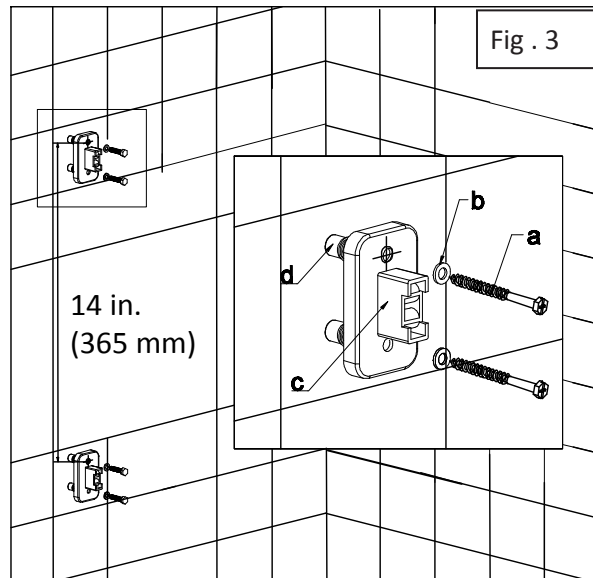
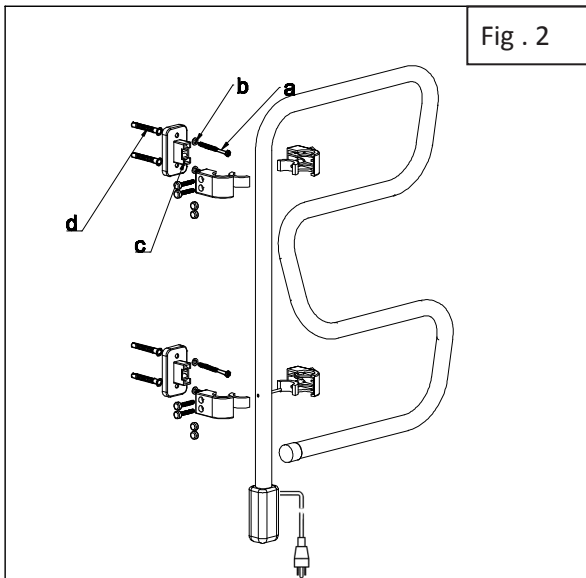


WALL PLUG-IN INSTALLATION

Step 1: Verifying installation parts (Fig.1)

- Ensure all parts for mounting installation were supplied with your towel warmer. (See Fig.7)
- If any are missing, please contact us.

Step 2: Install towel warmer as shown (Fig. 2 to 5)

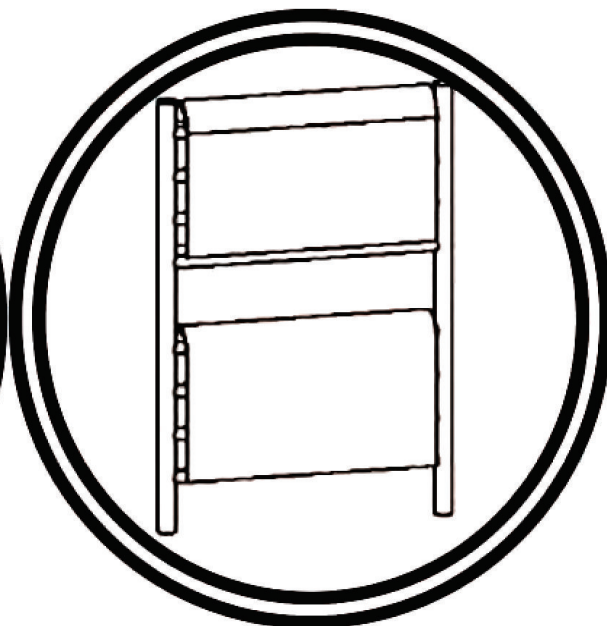
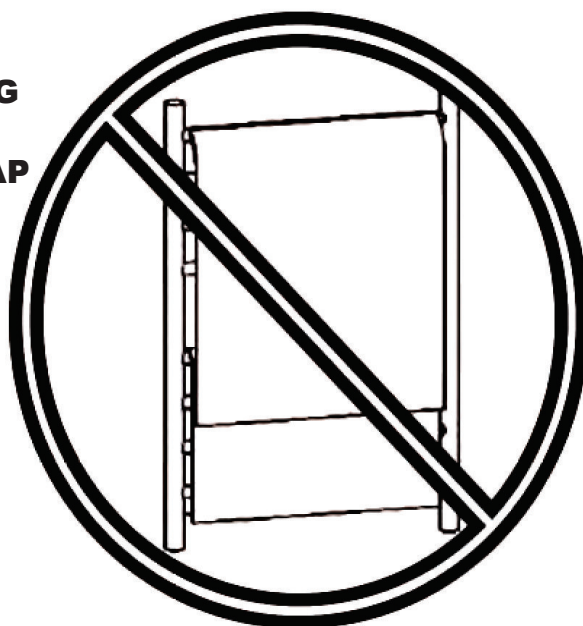


CAUTION - Overlapping towels may increase towel warmer temperatures.



**PROPERLY HANG
TOWELS.**

**DO NOT OVERLAP
TOWELS.**



Operation and Maintenance Instructions

- After installation, connect the electric power and turn on the switch. The indicator light will show red and the towel warmer will start to work.
- Turn off the switch when the towel warmer is not in use. The indicator light will turn dark and the towel warmer will stop working.
- Clean the towel warmer with a soft dry towel. Do not clean with abrasive cleaning powder.
- Unplug the unit if not in use for a long period of time.



HIGH OPERATING TEMPERATURE!

- Towel warmers are designed for heating towels and bathrobes and should not be used for other purposes. The manufacturer or reseller assumes no liability if the device is used in combination with equipment or accessories not sold by the manufacturer.
- This towel warmer is to be only used with fabrics that are water washable. Towels which contain soap or detergent residue may appear to have scorch marks; however, this is simply discoloration of the residue in the towels themselves. The unit does not reach a temperature sufficient to scorch towels.
- Never stand, sit or climb on the unit.
- This towel warmer operates at high temperatures that can cause burns. Do not touch surfaces of the towel warmer while the warmer is in operation. The unit is designed to warm up towel and may become very hot.
- Do not allow unsupervised children in the vicinity of the towel warmer; and warn children of hot surfaces. An adult must supervise when the device is used by or near children.
- Unplug the unit with a dry hand and ensure that the electrical circuit breaker is off the main panel before wiring, carrying out a repair or servicing your heated towel warmer.
- Do not place your towel warmer inside a shower, sauna or plunge into the water.
- To ensure continued protection against risk of electric shock, plug the unit into a properly grounded outlet.
- Approved for domestic use only. Do not use outdoors.

Information : service@anconahome.com or 1-800-350-4562