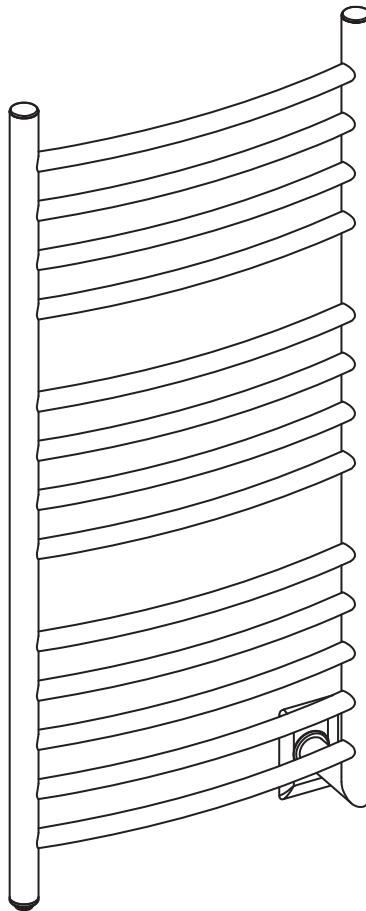




## *Svelte Rounded Towel Warmer*

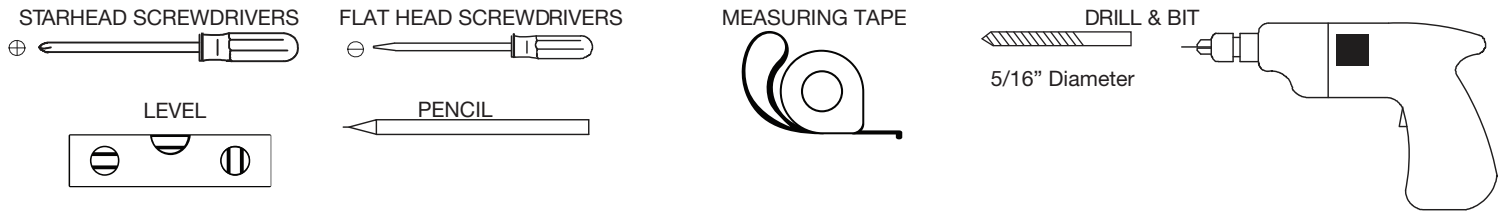


### User Manual & Installation Instructions

IMPORTANT SAFETY INSTRUCTIONS  
Carefully read the important information  
regarding installation, safety and maintenance.  
Keep these instructions for future reference.

MAAN5423-02  
2019-08-23

# Required Tools



**Electrical requirements:** 120V, 150W, 60Hz, 1.25A. MUST HAVE A GROUND CONNECTION. Should be protected by a 15 amp GFI circuit breaker or equal.

**READ ALL INSTRUCTIONS IN THE MANUAL BEFORE INSTALLING THIS TOWEL WARMER.**

## Before You Begin

Unpack the towel warmer carefully to avoid any damage or loss of any part. When opening the box, care should be taken to not discard packet of mounting screws. It is your responsibility to immediately inspect for any damage. Shipping damage should be reported immediately to your place of purchase.

Follow instructions to make sure your towel warmer is properly installed. **FAILURE TO FOLLOW THESE STEPS COULD RESULT IN HAZARDOUS CONDITIONS.**

To avoid possible fire hazard, the Towel Warmer must be mounted as intended. **MOUNT THIS UNIT AS SHOWN IN THESE INSTRUCTIONS.**

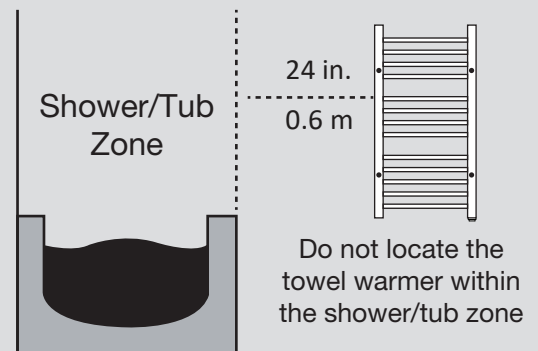
The towel warmer must be used in accordance with any prevailing code and relevant electrical wiring rules and regulations, in particular regulations that cover the use of products and accessories in damp situations such as showers, laundries and other areas with fixed water containers.

- Towel Warmer must be mounted vertical with cord in position as shown. No other position is safe or recommended.
- To provide continued protection against the risk of electrical shock, connect to properly grounded outlet only.
- Towel Warmer must be securely mounted to the wall. When possible, the Towel Warmer should be attached to adequate blocking or framing. Installations where blocking or framing is not available, must use appropriate wall anchors for mounting directly to sheetrock.



### CAUTION:

1. Approved for domestic use only. Do not use outdoors.
2. Install in accordance with national and local codes.
3. Do not install in the shower, sauna or any wet locations.
4. Make sure towel warmer is properly secured to the wall before use.

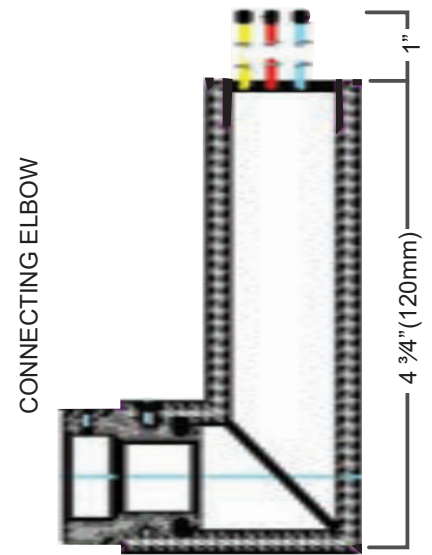
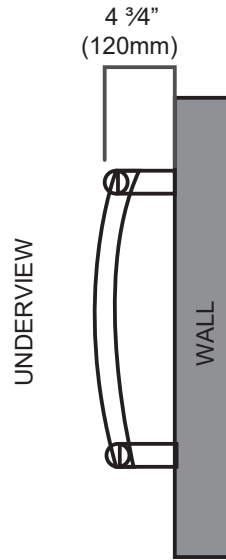
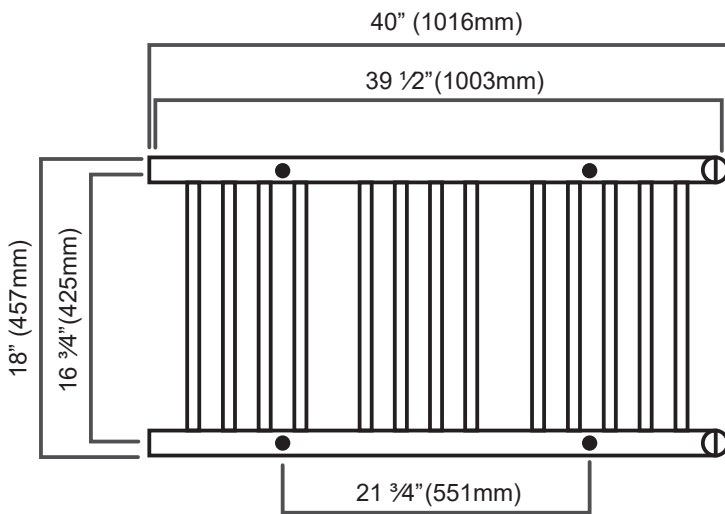


For illustrative purposes only



- Failure to follow the installation instructions may lead to overheating and malfunction.
- Any repairs that involve opening the Towel Warmer must be carried out by manufacturer or their representative.
- Please contact your supplier in the event of any problem or if repair is needed.

# Product Dimensions



## Parts for Hardwire Wall Mount Installation

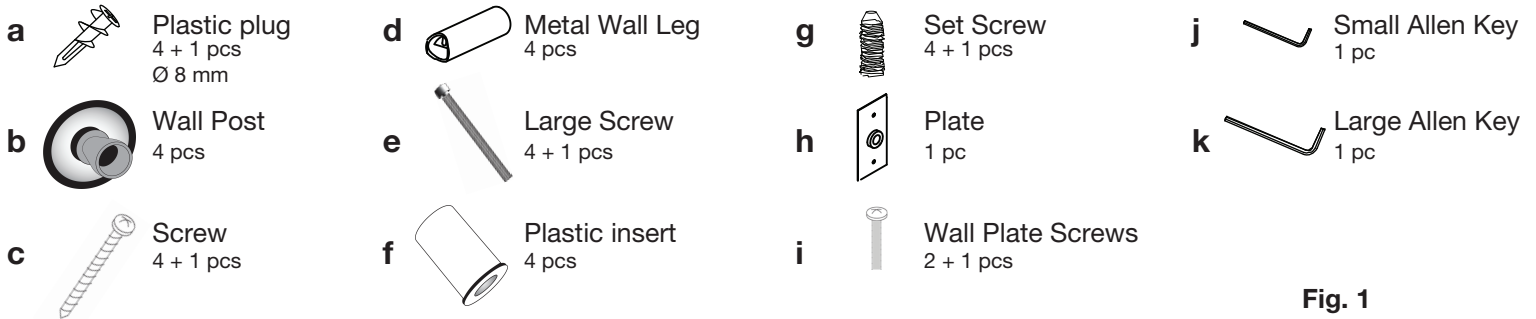


Fig. 1

## Hardwire Installation

### Step 1: Verifying installation parts (Fig. 1)

Ensure all parts for mounting installation were supplied with your towel warmer (See Fig. 1). If any are missing, please contact us.

### Step 2: Installing metal wall legs (Fig. 2)

Locate the following parts:

- o **d**: Metal Wall Leg.
- o **e**: Large Screw to set post in main body (this part may already be installed inside the Metal Wall Leg).
- o **f**: Plastic Insert (this part may already be installed inside the Metal Wall Leg).
- o **g**: Set Screw (this part may already be installed inside the Metal Wall Leg) (See Fig. 6).

Position parts correctly:

- o Plastic Insert **f** is positioned inside Metal Wall Leg **d**.
- o Large Screw **e** is positioned inside the Plastic Insert **f**.
- o Set Screw **g** is inserted in Metal Wall Leg **d** (See Fig. 6).
- o If the Metal Post **b** is inserted into the Metal Wall Leg **d**, remove it.

Install Metal Wall Leg **d**:

- o Position Metal Wall Leg **d** onto the towel warmer where the Large Screws **e** can be inserted.
- o Insert Large Screw **e** and screw Metal Wall Leg **d** into main body using appropriate sized Allen key.
- o Repeat for all four (4) Metal Wall Legs.

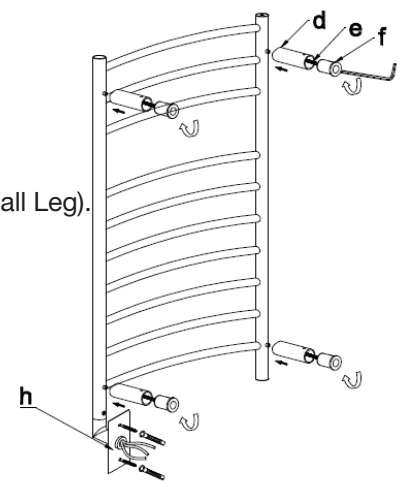


Fig. 2

# Hardwire Installation

## Step 3: Marking holes for wall mount posts (Fig. 3)

- Take towel warmer with four (4) Metal Wall Legs mounted, as per Step 2.
- Position against the wall where you will want to install the towel warmer.
- Ensure the Hard Wire Leg is also turned in at 90 degrees so you can also mark this leg.
- Use light pencil to mark legs on the wall (you may want to erase the pencil mark following installation completion, so make sure you mark lightly).

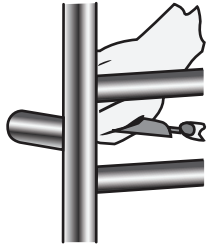


Fig. 3

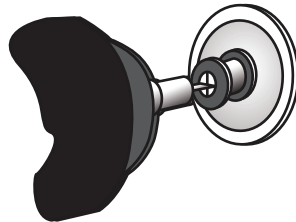


Fig. 4

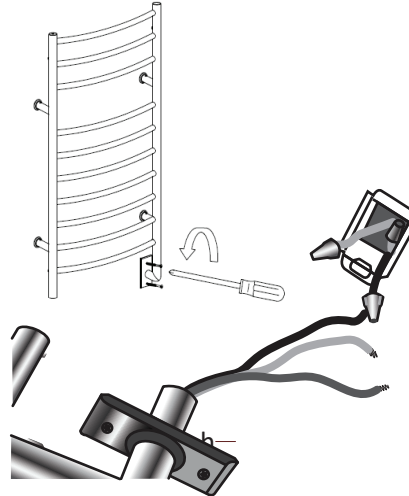


Fig. 5

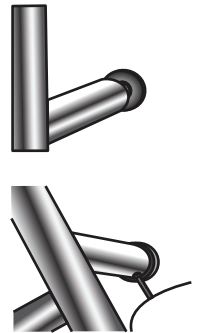


Fig. 6

## Step 4: Installing wall posts (Fig. 4)

If installing on dry wall with no rear beam support (e.g. wood studs):

- o Drill a hole in the center of each of the four (4) circles marked on the wall as per Step 3.
- o Ensure the drilled hole is large enough to insert the Plastic Plug provided **a**.
- o Insert/screw the Plastic Plug into each of the four (4) holes.
- o Position Wall Post **b** on top of Plastic Plug and put in Screw **c** to set in place.

If installing on surface with rear support, e.g. wood studs (no need for Plastic Plug **a**):

- o Pre-drill small hole in the center of each circle as per step 3.
- o Position Wall Post **b** on top of pre-drilled hole and put in Screw **c** to set in place.

## Step 5: Installing hard wire leg (Fig. 5)

- Create a hole in the wall to let the Hard Wire Leg go through (approx. 2 in. x 3 ¾ in.).
- The leg will be covered by Plate **h** so the hole should be large enough to allow space for electrical connection and leg to go through but not too large so that the plate can cover it fully.
- Electrical wiring must be done by qualified professionals and in accordance with all applicable codes and standards, including fire-rated constructions (refer to Electrical Requirements on Page 2).

## Step 6: Mounting main body onto wall (Fig. 6)

- Take main body and position each of the four (4) legs on top of the Wall Posts **b**.
- Once inserted use appropriate sized Allen key to tighten each Set Screw **g**.
- The installation should now be complete.

## Step 7: Test the towel warmer

- Remove protective white caps, they are located at the end of each of the vertical bars.
- Turn the switch on to start towel warmer; the On-Off switch is located at the end of one of the posts.
- The towel warmer should reach its pre-set temperature in approximately 15 minutes.
- This towel warmer is designed to operate continuously and can be left on all the times. To save electricity it can be turned off when not in use.

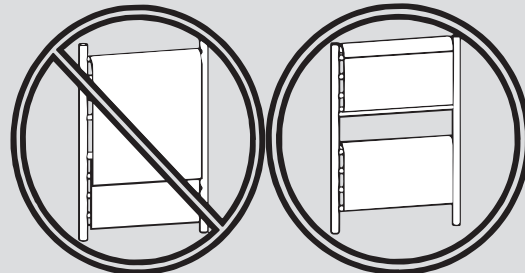
# Operation and Maintenance Instructions

- After installation, connect the electric power and turn on the switch. The indicator light will show red and the towel warmer will start to work.
- Turn off the switch when the towel warmer is not in use. The indicator light will turn dark and the towel warmer will stop working.
- When cold, clean the towel warmer with a soft dry towel. Do not clean with abrasive cleaning powder.
- Unplug the unit if not in use for a long period of time.



## **CAUTION - Overlapping towels may increase towel warmer temperatures.**

- **PROPERLY HANG TOWELS.**
- **DO NOT OVERLAP TOWELS.**



**NOTE:** There is no limit to how long a towel warmer can stay on. However, in order to conserve the life expectancy of our Ancona towel warmer, we recommend that the unit be on consecutively no more than two to three hours at a time.



- According to the National Electrical Code, all electrical work must be carried out by authorized licensed professionals. For your safety, please ensure you adhere to these regulations.
- Please ensure the power cord does not come in contact with the rail during operation.
- The power code is the means of disconnecting the unit from the main power outlet.
- The Towel Warmer will be hot. Please exercise caution if the Towel Warmer is accessible to children or the elderly. Please ensure that children are supervised at all times in the vicinity of the Towel Warmer and warn them that it is a hot surface that can cause burns.



## **HIGH OPERATING TEMPERATURE!**

- Towel warmers are designed for heating towels and bathrobes and should not be used for other purposes. The manufacturer or reseller assumes no liability if the device is used in combination with equipment or accessories not sold by the manufacturer.
- This towel warmer is to be only used with fabrics that are water washable. Towels which contain soap or detergent residue may appear to have scorch marks; however, this is simply discoloration of the residue in the towels themselves. The unit does not reach a temperature sufficient to scorch towels.
- Never stand, sit or climb on the unit.
- This towel warmer operates at high temperatures that can cause burns. Do not touch surfaces of the towel warmer while the warmer is in operation. The unit is designed to warm up towel and may become very hot.
- Do not allow unsupervised children in the vicinity of the towel warmer; and warn children of hot surfaces. An adult must supervise when the device is used by or near children.
- Unplug the unit with a dry hand and ensure that the electrical circuit breaker is off the main panel before wiring, carrying out a repair or servicing your heated towel warmer.
- Do not place your towel warmer inside a shower, sauna or plunge into the water.
- To ensure continued protection against risk of electric shock, plug the unit into a properly grounded outlet.
- Approved for domestic use only. Do not use outdoors.

Information: [service@anconahome.com](mailto:service@anconahome.com) or 1-800-350-4562

---

Please register your product warranty by visiting the Ancona Home website.



Canada & USA

Phone: 1-800-350-4562

Fax: 800-350-8563

Email: [service@anconahome.com](mailto:service@anconahome.com)

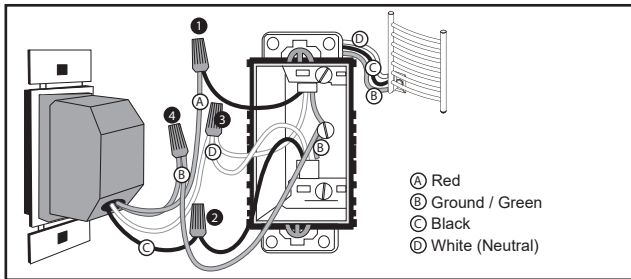
Website: [www.anconahome.com](http://www.anconahome.com)



MAAN5423-02

# In-Wall 7 Day Digital Timer Instruction Sheet

1. Remove wall plate and disconnect existing light switch, install junction box with a qualified electrician.
2. Make sure both "hot" (black or red) and neutral (white) wires are present in the junction box. If both wires are not present, additional wiring will be necessary before installation can be completed.
3. Connect red timer wire to wire from towel warmer fixture, using wire connector. (A)
4. Connect black timer wire to the "hot" (usually black or red) wire in junction box using wire connector. (B)
5. Expose white wire in junction box (or open splice) and strip 1/2 in. of insulation to both wires.
6. Connect all three white wires together (timer wire, junction box wires) using wire connector. (C)
7. If the wall switch you are replacing had separate grounding conductors connected to the GREEN screw on the switch, make sure to connect these to the green wire from the timer with a wire connector. (D)
8. Check that all wire connections are secure.
9. Place all wires inside junction box.
10. Fit timer into junction box and install using two mounting screws (included).
11. Reconnect the electrical power



## SETTING THE CLOCK

1. Press and hold the CLOCK button to set time.
2. Press the DAY button until the display shows the current day.
3. Press the HOUR button until the display shows the current hour.
4. Press the MIN (Minute) button until the display shows the current minute.

## SETTING PROGRAMS

### SET START TIME

1. a. Press the PROG (Program) button once. The display will look as shown at the right.
  - b. You will now set up the time in which you want your device turned ON.
  - c. The number 1 in the lower left hand corner indicates that you are now programming EVENT 1.
2. Press the DAY button repeatedly until the display shows the day(s) when you want the timer to turn on. The options are:
    - All days of the week (MO, TU, WE, TH, FR, SA, SU)
    - Individual days of the week (MO, TU, WE, TH, FR, SA, or SU)
    - Weekdays only (MO, TU, WE, TH, FR)
    - Weekends only (SA, SU)
  3. Press the HOUR and MIN (Minute) buttons to set the time when you want the timer to turn on.



### SET STOP TIME

4. Press the PROG (Program) button again. The display reads as shown at the right.
5. Repeat Steps 2 - 4 to set the OFF time for Event 1.
6. When programming is complete, press the CLK button to display the current time.



## Things you should know about programming events

- You can repeat the ON and OFF programming procedures for up to 7 events.
- In order to use programmed times, **MODE must be set to AUTO or RDM**
- ON / OFF button **overrides** the current programmed events.

## WARNING

While setting events, the timer may prematurely turn on the load, if you press the MODE button. Three kinds of settings can cause the timer to work in an unexpected way:

- Do not set up events out of order. Be sure to set up events in progressive order of time (for example, 8:00pm ON, 9:00 pm ON, 10:00 pm ON — NOT 8:00 pm ON, 10:00 pm ON, 9:00 pm ON).
- Do not overlap event times (for example, 8:00 pm ON / 12:00pm OFF, and 9:00 pm ON / 11:00 pm OFF).
- Do not set ON / OFF events within 30 minutes or less from one another if you are going to use the timer in the Random Mode. The Random Mode interval is  $\pm 15$  minutes from the programmed times, and programs set too close together may overlap one another.

## REVIEWING EVENTS PROGRAMMED

1. In the current time display, press the PROG (Program) button repeatedly to check your settings.
2. When finished, press the CLK button to return the display to the time of day.

## CLEARING (DELETING) AN EVENT

1. Press the PROG (Program) button as many times as necessary to locate the setting you want to clear.
2. Press and hold the MODE button.
3. Press the PROG button to clear the setting.
4. When finished, press the CLK button to return the display to the time of day.

## OPERATING THE TIME SWITCH

Press the MODE button repeatedly to set the timer to Automatic, Random or Manual mode.

**NOTE:** For the time switch to run programmed events, it must be set to "AUTO" mode.

**AUTO:** runs all events automatically, according to the schedule you have set. The word "AUTO" appears in the display.

**RDM (Random):** runs all events in a RANDOM mode. This is a security feature in which ON and OFF times randomly differ  $\pm 15$  minutes of the programmed times, creating a more "lived-in" look. The word "RDM" appears in the display.

**NOTE:** DO NOT set the ON / OFF events within 30 minutes or less from one another if you are going to use this timer in the RANDOM MODE. The RANDOM MODE is  $\pm 15$  minutes of programmed times and may overlap one another, causing the timer to possibly not work as desired.

**MANUAL:** turns ON and OFF only when the user presses the ON or OFF button. The display is blank, showing neither RDM or AUTO.

## OVERRIDING TIMER SETTINGS

The ON / OFF button overrides the current programmed events. To override the current program (either ON or OFF), press the ON/OFF button.

**NOTE:** If the timer is not in "Manual" mode, it will obey the next programmed event. This allows the user to manually turn a light on and allow the program to shut the light back off at a preset time.

## RESETTING THE TIMER

In case of an operational failure of the timer, insert a thin non-conducting object (like a wood toothpick) into the RESET orifice to clear all settings and restart.

## \*Works with CFL bulbs.

\*This timer has been tested to work with standard compact fluorescent (CFL) bulbs. However, it will not control a CFL bulb that specifically states

**NOTE:** Timer installation is optional to towel warmer installation. Towel warmer fixtures DO NOT EXCEED RATED CAPACITY stated in this manual.

## Rating:

General: 125 V ac, 60 Hz; 15 A, 1875W  
 Resistive: 125 V ac, 60 Hz; 15 A, 1875W  
 Tungsten (incandescent): 8 Amp, 125 VAC 1000 Watts  
 Ballast (fluorescent): 8 Amp, 125 VAC  
 Motor: 1/4 H.P., 125 VAC

# IMPORTANT - Federal Communications Commission Interference Statement

This equipment has been tested and found to comply with the limits for Class B digital device, pursuant to part 15 of the FCC Rules. These limits are designed to provide reasonable protection against harmful interference in a residential installation. This equipment generates, uses and can radiate radio frequency energy and, if not installed and used in accordance with the instructions, may cause harmful interference to radio or television reception, which can be determined by turning the equipment off and on, the user is encouraged to try to correct the interference by one or more of the following measures:

- Reorient or relocate the receiving antenna.
- Increase the separation between the equipment and the receiver.
- Connect the equipment into an outlet on a circuit different from that to which the receiver is connected.
- Consult the dealer or an experienced radio/TV technician for help.

This device complies with Part 15 of the FCC Rules.

Operation is subject to the following two conditions:

- (1) This device may not cause harmful interference, and
- (2) this device must accept any interference received, including interference that may cause undesired operation of the device.

FCC Caution: Any changes or modifications not expressly approved by the party responsible for compliance could void the user's authority to operate this equipment.

Industry Canada statement:

This Class B digital apparatus complies with Canadian ICES-003.

This device complies with Industry Canada license-exempt RSS standard(s).

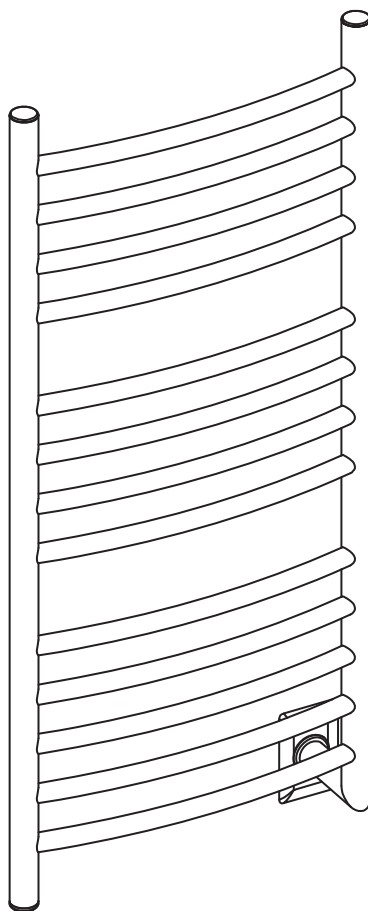
Operation is subject to the following two conditions:

- (1) this device may not cause interference, and
- (2) this device must accept any interference, including interference that may cause undesired operation of the device.





## ***Chauffe-serviettes Svelte Rond***



### **Manuel de l'utilisateur et instructions d'installation**

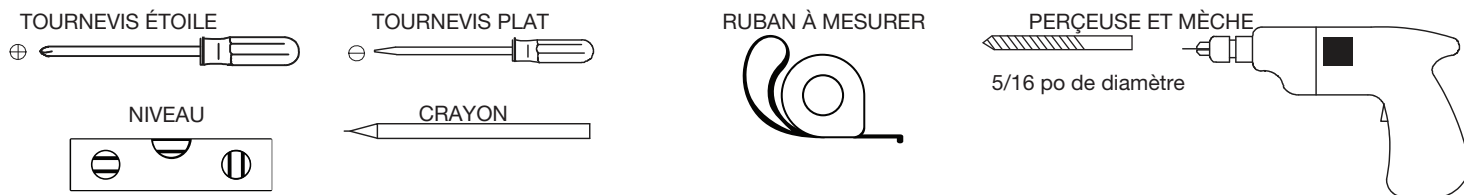
INSTRUCTIONS IMPORTANTES DE SÉCURITÉ  
Lire attentivement l'importante information concernant  
la sécurité, l'installation et l'entretien.

Conserver ces instructions pour référence future.

MAAN5423-02

2019-08-23

# Outils nécessaires



**Exigences électriques :** 120V, 150W, 60Hz, 1,25A. BRANCHEZ L'UNITÉ DANS UNE PRISE ADÉQUATEMENT RELIÉE À LA TERRE. Cet appareil doit être protégé par un disjoncteur différentiel de fuite à la terre de 15 ampères ou l'équivalent.

**LIRE TOUTES LES INSTRUCTIONS DANS LA SECTION INSTALLATION DE CE MANUEL AVANT D'INSTALLER LE CHAUFFE-SERVIETTES.**

## Avant de commencer

Déballer le chauffe-serviettes avec précaution afin d'éviter tout dommage ou toute perte de pièces. Lorsque vous ouvrez la boîte, veillez à ne pas jeter le sac de vis. Il en est de votre responsabilité de procéder à l'inspection immédiate de l'appareil afin de déceler tout dommage. Les dommages causés par le transport doivent être signalés immédiatement au marchand.

Suivez les directives ci-contre afin d'assurer l'installation adéquate de votre chauffe-serviettes. **LE NON-RESPECT DE CES DIRECTIVES RISQUE DE CRÉER DES CONDITIONS DANGEREUSES.**

Afin d'éliminer tout risque d'incendie, l'installation du chauffe-serviettes doit se faire selon les directions ci-contre. **INSTALLEZ CET APPAREIL EN SUIVANT LES PRÉSENTES INSTRUCTIONS.**

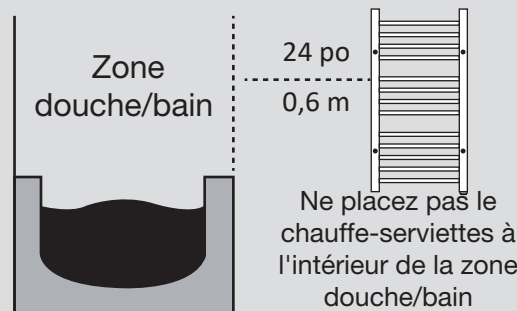
L'utilisation du chauffe-serviettes doit se faire conformément aux codes en vigueur et aux règles et règlements correspondants en matière de câblage électrique, notamment les règlements portant spécifiquement sur l'utilisation de produits et d'accessoires en milieu humide, comme les douches, les buanderies et les autres milieux comportant des récipients d'eau fixes.

- Le chauffe-serviettes doit être installé au mur et le cordon doit être positionné comme indiqué ci-contre. Aucune autre position n'est sécuritaire ni recommandée.
- Ne branchez l'appareil qu'à une prise correctement mise à la terre pour assurer une protection continue contre les risques de décharge électrique.
- Le chauffe-serviettes doit être fixé solidement au mur. Lorsque cela est possible, le chauffe-serviettes doit être fixé sur une assise ou la charpente. Si cela n'est pas possible, il faut utiliser les chevilles destinées à l'installation murale à même la plaque de plâtre.



### MISE EN GARDE :

1. Approuvé pour utilisation domestique seulement. Ne pas utiliser à l'extérieur.
2. Installer conformément les codes nationaux et locaux.
3. Ne pas installer dans une douche, un sauna ou tout emplacement mouillé.
4. Assurez-vous que le chauffe-serviette est adéquatement fixé au mur avant l'utilisation.

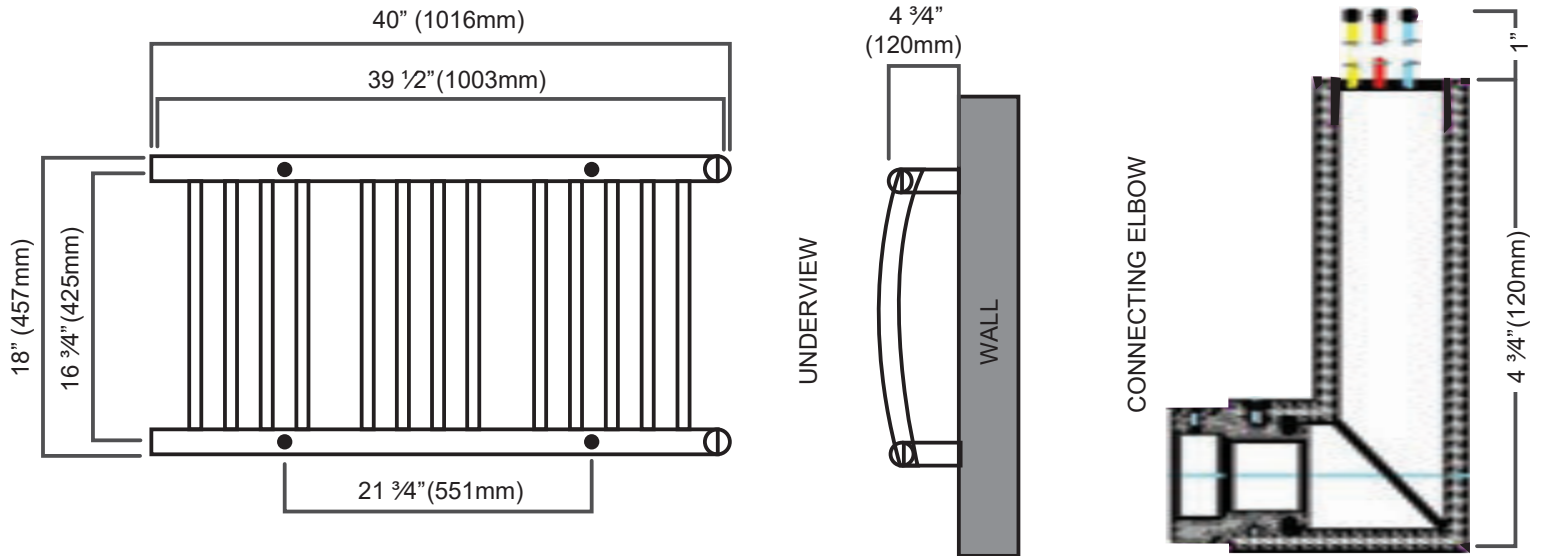


À des fins d'illustrations seulement



- Le non-respect des instructions d'installation pourrait entraîner la surchauffe ou le dysfonctionnement de l'appareil.
- Toute réparation au chauffe-serviettes doit être réalisée par le fabricant ou l'un de ses représentants.
- Veuillez communiquer avec votre fournisseur en cas de problème ou si des travaux de réparation s'avèrent nécessaires.

# Dimensions du produit



## Pièces pour le branchement mural

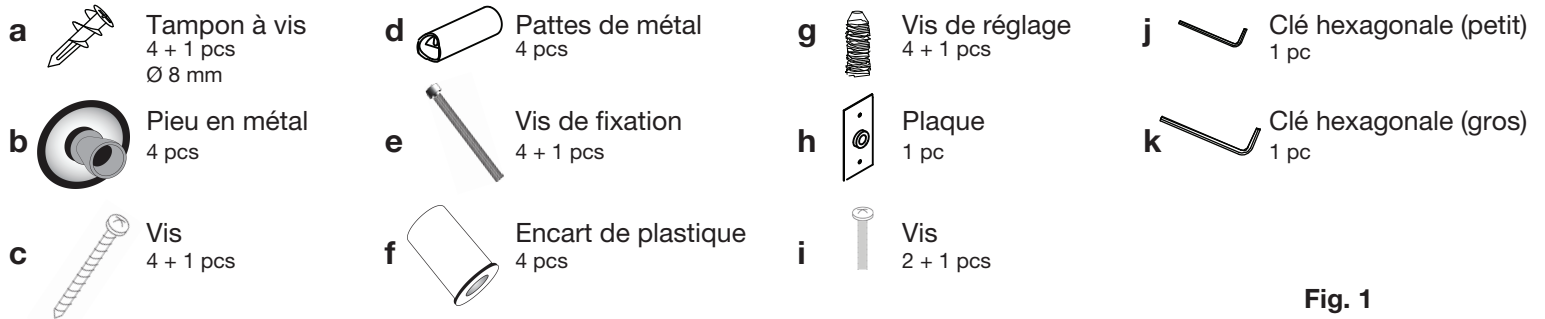


Fig. 1

## Branchement

### Étape 1 : Vérification des pièces d'installation (Fig. 1)

S'assurer que toutes les pièces de montage pour l'installation ont été fournies avec votre chauffe-serviettes. S'il en manque, s'il vous plaît contactez-nous.

### Étape 2 : Installation des pattes murales (Fig. 2)

Repérez les pièces suivantes :

- o **d** : Pattes de métal.
- o **e** : Vis de fixation pour pattes de métal (cet encart peut-être déjà installé dans la patte de métal).
- o **f** : Encart de plastique (cet encart peut-être déjà installé dans la patte de métal).
- o **g** : Vis de réglage (cette vis peut-être déjà installée dans la patte de métal) (Voir Fig. 6).

Positionnez correctement les pièces :

- o Encart de plastique **f** est positionné à l'intérieur de la patte de métal **d**.
- o Vis **e** est positionné à l'intérieur de l'encart de plastique **f**.
- o Vis de réglage **g** est insérée dans la patte métal de métal **d** (Voir fig. 6).
- o Si la pièce **b** est insérée dans la pièce **d**, retirez-la.

Installation des pattes de métal **d** :

- o Positionnez la patte de métal **d** sur l'unité principal là où on peut les visser.
- o Insérez vis de fixation **e** et visser la patte dans l'unité en utilisant la clé hexagonale.
- o Répéter pour les 4 pattes de métal.

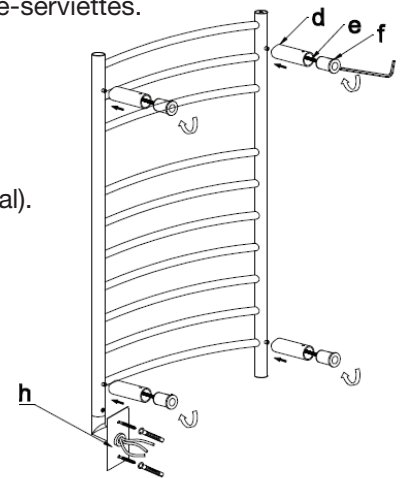


Fig. 2

# Branchement

## Étape 3 : Marquage des trous pour le montage murale (Fig. 3)

- Prendre le chauffe-serviette avec les 4 pattes installées selon l'étape 2.
- Positionner contre le mur où vous installer le chauffe-serviette.
- Assurez-vous que le poteau de raccordement électrique est tourné à 90° en sorte que vous pouvez aussi le marquer.
- Utilisez un crayon pour marquer les poteaux sur le mur (vous pouvez effacer la marque de crayon à la fin de l'installation, assurez vous de marquer légèrement).

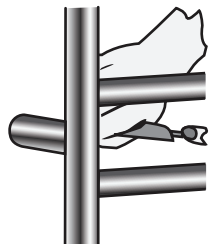


Fig. 3

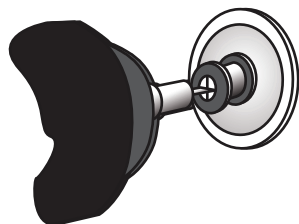


Fig. 4

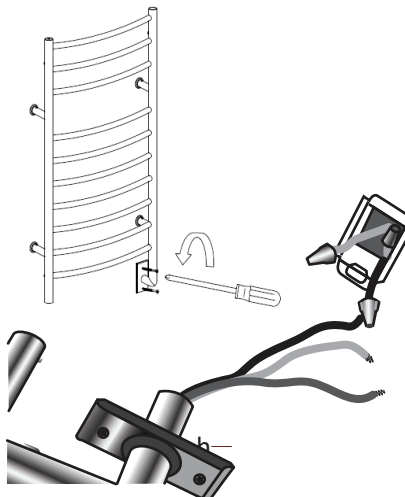


Fig. 5

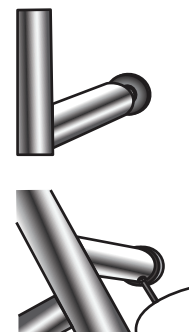


Fig. 6

## Étape 4 : Installation des pieux muraux (Fig. 4)

Si l'installation est sur une cloison sèche, sans support de poutre arrière :

- o Percez un trou dans le centre de chacun des 4 cercles marqués sur le mur tel qu'indiqué à l'étape 3.
- o Assurez vous que le trou foré est assez grand pour insérer le bouchon en plastique fourni - pièce **a**.
- o Insérez / vissez le bouchon en plastique dans chacun des 4 trous.
- o Positionnez le pieu en métal **b** sur le dessus du bouchon en plastique et vissez la vis **c** pour le mettre en place.

Si vous installer sur la surface avec appui arrière par exemple poteaux de bois (pas besoin de bouchon en plastique **a**) :

- o Pré-percez petit trou au centre de chaque cercle, tel qu'indiqué à l'étape 3.
- o Positionnez le pieu en métal au-dessus du pré-perçage et mettre la vis **c** en place.

## Étape 5 : Installation du poteau de raccordement électrique (Fig. 5)

- Faire un trou dans le mur pour laisser le pied métallique entrer (2 po x 3 3/4 po).
- Le poteau sera couvert par la plaque **h** alors le trou devrait être suffisamment grand pour laisser un espace pour le raccordement électrique et pour passer le poteau en métal mais de juste taille afin que la plaque **h** puisse le couvrir.
- Le câblage électrique doit être effectué par des professionnels qualifiés et conformément aux codes et normes applicables, y compris la construction coupe-feu (voir les exigences électriques page 2).

## Étape 6 : Installation de l'unité principale (Fig. 6)

- Prendre l'unité principale et positionnez les 4 pattes en dessus les pieux en métal **b**.
- Une fois les pattes insérées utiliser une clé hexagonale pour serrer chaque vis de réglage **g**.
- L'installation devrait être terminée.

## Étape 7 : Mettre le chauffe-serviette en marche

- Retirer les couvercles blancs de protection utilisés pour le transport qui sont situés au bout de chaque barre verticale.
- Allumer le chauffe-serviette; l'interrupteur marche-arrêt se trouve sur le dessus de l'un des barreaux l'unité devrait atteindre sa température préétablie dans environ 15 minutes.
- Ce chauffe-serviette est conçu pour fonctionner continuellement et peut être laissé en marche en tout temps. Pour économiser de l'électricité, il est suggéré de l'éteindre lorsqu'il n'est pas utilisé.

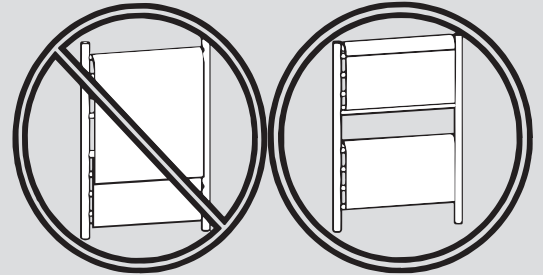
# Instructions de fonctionnement et d'entretien

- Après avoir terminé l'installation, brancher le fil électrique et mettre l'interrupteur à «ON». L'indicateur s'allumera en rouge et le chauffe-serviette se mettra en marche..
- Mettre l'interrupteur à «OFF» lorsque l'appareil n'est pas utilisé. L'indicateur s'assombrit et l'appareil s'éteindra.
- Lorsque l'appareil est froid, nettoyez-le à l'aide d'une serviette douce et sèche. N'utilisez pas de produit nettoyant abrasif sous forme de poudre.
- Avec une main sèche, débranchez le chauffe-serviette si non l'utilisé pendant une longue temps.



**AVERTISSEMENT - Chevaucher les serviettes peut causer une température élevée du chauffe-serviettes.**

- **SUSPENDEZ LES SERVIETTES CORRECTEMENT.**
- **NE PAS LES FAIRE SE CHEVAUCHE.**



**REMARQUE :** Il n'y a aucune limite à combien de temps un chauffe-serviettes peut réchauffer. Cependant, afin de conserver l'espérance de vie de notre chauffe-serviettes Ancona, nous recommandons que l'appareil soit mis en marche consécutivement pas plus de 2 à 3 heures à la fois.



- En vertu du Code national de l'électricité, tous les travaux d'électricité doivent être entrepris par des professionnels qualifiés et certifiés. Pour votre sécurité, veuillez assurer la conformité avec ces règlements.
- Veuillez vous assurer que le câble d'alimentation n'entre pas en contact avec la structure de barres lorsque l'appareil est en marche.
- Le câble d'alimentation sert à débrancher l'appareil de la prise de courant principale.
- Le chauffe-serviette sera chaud. Veuillez faire preuve de prudence si des enfants ou des personnes âgées ont accès au chauffe-serviettes. Veuillez assurer une surveillance accrue des enfants lorsqu'ils se trouvent à proximité du chauffe-serviettes et veuillez leur informer du danger de brûlure présenté par l'appareil lorsqu'il est en marche.



## TEMPÉRATURE DE FONCTIONNEMENT ÉLEVÉE!

- Les chauffe-serviettes sont conçus pour réchauffer les serviettes et les peignoirs et ne devraient pas être utilisés à d'autres fins. Le fabricant n'assume aucune responsabilité, si le dispositif est utilisé en combinaison avec des équipements ou accessoires qu'il ne vend pas.
- Ce sèche-serviettes ne peut être utilisé qu'avec les tissus lavables à l'eau. Les serviettes qui contiennent des résidus de savon ou de détergent peuvent présenter des taches ressemblant à des brûlures. Ces taches sont de simples décolorations des résidus présents sur les serviettes. L'appareil n'atteint pas des températures suffisamment élevées pour causer des brûlures sur les serviettes.
- Ne jamais se tenir debout, s'asseoir ou monter sur l'unité.
- Ce chauffe-serviettes fonctionne à des températures très élevées qui peuvent provoquer des brûlures. Ne pas toucher les surfaces du chauffe-serviettes lorsque celui-ci est en marche. L'unité est conçue pour réchauffer les serviettes et peut devenir très chaude.
- Ne pas laisser les enfants sans surveillance à proximité du chauffe-serviettes et les prévenir du danger de brûlure. Un adulte doit superviser lorsque l'appareil est utilisé par des enfants ou à proximité d'eux.
- Débranchez l'unité avec une main sèche et assurez-vous que le disjoncteur électrique est fermé du panneau central, avant de connecter des fils pour effectuer des réparations ou de l'entretien sur votre tringle chauffe-serviette.
- Ne placez pas votre chauffe-serviette à l'intérieur d'une douche, un sauna ou n'immergez pas dans l'eau pour quelque raison que ce soit.
- Pour assurer une protection continue contre le risque de décharge électrique, branchez l'unité dans une prise adéquatement reliée à la terre.
- Approuvé pour utilisation domestique seulement. Ne pas utiliser à l'extérieur.

**Veillez enregistrer la garantie de votre produit en visitant le site Web Ancona Home.**



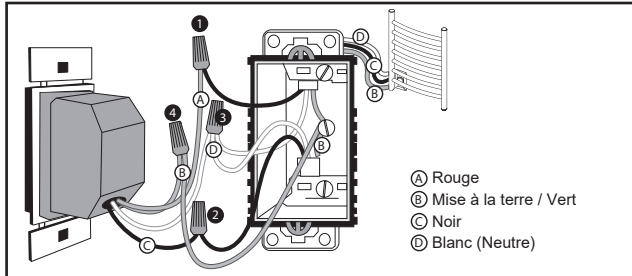
**Canada et États-Unis**  
**Téléphone : 1-800-350-4562**  
**Télécopieur : 800-350-8563**  
**Courriel : [service@anconahome.com](mailto:service@anconahome.com)**  
**Site Web : [www.anconahome.com](http://www.anconahome.com)**



MAAN5423-02

# Fiche d'instructions pour minuterie numérique encastrée de 7 jours

1. Enlevez la plaque murale et débranchez le commutateur, faites installer la boîte de jonction par un électricien qualifié.
2. Vérifiez que le fil chargé et le fil neutre sont présents dans la boîte de jonction. S'il manque un des fils, il faudra effectuer le câblage nécessaire afin de terminer l'installation.
3. Branchez le fil rouge de la minuterie au fil du chauffe-serviettes à l'aide du serre-fils. (A)
4. Branchez le fil noir de la minuterie au fil chargé (habituellement noir ou rouge) à la boîte de jonction à l'aide du serre-fils. (B)
5. Exposez le fil blanc de la boîte de jonction (ou ouvrez l'épaisseur) et dénudez 1,3 cm (1/2 pouce) des deux fils.
6. Branchez les trois fils blancs ensemble (le fil blanc de la minuterie et les deux fils blancs de la boîte de jonction) à l'aide du serre-fils. (C)
7. Si vous remplacez un commutateur doté de conducteurs de mise à la terre séparés, connectés à la vis VERTÉ du commutateur, soyez certain de les brancher au fil vert de la minuterie avec un serre-fils. (D)
8. Vérifiez que toutes les connexions sont bien faites.
9. Placez tous les fils à l'intérieur de la boîte de jonction.
10. Insérez et installez la minuterie dans la boîte de jonction à l'aide des deux (2) vis de montage (fournies).
11. Reconnectez le courant électrique.



## PROGRAMMATION DE L'HORLOGE

1. Enfoncez et maintenez la touche CLK (horloge).
2. Appuyez sur la touche DAY (jour) jusqu'à l'affichage du jour courant.
3. Appuyez sur la touche HOUR (heure) jusqu'à l'affichage de l'heure courante.
4. Appuyez sur la touche MIN (minute) jusqu'à l'affichage des minutes courantes.

## PROGRAMMATION DES ACTIVITÉS

### PROGRAMMER LA MISE EN MARCHÉ

- a. Appuyez une fois sur la touche PROG (programme). L'écran ressemblera à l'illustration ci-contre.
  - b. Programmez maintenant l'heure à laquelle vous voulez que votre appareil s'allume.
  - c. Le chiffre 1 dans le coin inférieur gauche indique que vous programmez l'activité 1 (EVENT 1).
2. Appuyez sur la touche DAY de manière répétée jusqu'à l'apparition du ou des jours auxquels vous voulez que la minuterie s'enclenche. Les choix sont :
    - Tous les jours de la semaine (lundi au dimanche= MO TU WE TH FR SA SU)
    - Jours individuels de la semaine (MO, TU, WE, TH, FR, SA, ou SU)
    - Jours de semaine seulement (lundi au vendredi= MO TU WE TH FR)
    - Fins de semaine seulement (SA SU)
  3. Appuyez les touches HOUR (heure) et MIN (minute) pour programmer l'heure de la mise en marche de la minuterie.



### PROGRAMMER L'ARRÊT

4. Appuyez à nouveau sur la touche PROG (programme). L'écran ressemblera à l'illustration ci-contre.
5. Répétez les étapes 2 à 4 pour programmer l'heure d'arrêt (OFF) de l'activité 1.
6. Lorsque la programmation est terminée, appuyez sur la touche CLOCK pour afficher l'heure en cours.



## Ce que vous devez savoir sur la programmation d'activités:

- Au besoin, vous pouvez répéter les étapes de programmation de mise en marche et d'arrêt pour sept activités.
- Pour activer les activités programmées, la minuterie doit être en mode AUTO ou RDM.
- Le bouton MARCHÉ / ARRÊT permet de passer outre les activités programmées.

## AVERTISSEMENT

Pendant que réglant des événements que le minuteur peut allumer prématurément le chargement, si vous appuyez le bouton de MODE. La minuterie peut réagir de manière imprévue si programmée de trois manières différentes :

- Programmez les activités selon un horaire consécutif (par exemple, activation à 20 h, 21 h, 22 h – et NON 20 h, 22 h, 21 h).
- Ne superposez pas les heures des activités (par exemple, activation à 20 h, arrêt à minuit et activation à 21 h, désactivation à 23 h).
- Ne programmez pas des activités à intervalles de 30 minutes ou moins, si vous utilisez la fonction aléatoire. La fonction aléatoire s'enclenche à ± 15 minutes de l'heure programmée et une programmation trop rapprochée risque de superposer les activités.

## VÉRIFICATION DE LA PROGRAMMATION

1. Lorsque la minuterie affiche l'heure courante, appuyez sur la touche PROG (Programme) plusieurs fois pour vérifier la programmation.
2. Lorsque vous avez terminé, appuyez sur la touche CLOCK pour afficher l'heure courante.

## EFFACER (SUPPRIMER) UNE ACTIVITÉ

1. Appuyez sur la touche PROG (Programme) jusqu'à ce que s'affiche le programme que vous souhaitez effacer.
2. Appuyez et maintenez la touche MODE.
3. Appuyez la touche PROG pour effacer le programme.
4. Lorsque vous avez terminé, appuyez sur la touche CLOCK pour afficher l'heure courante.

## FONCTIONNEMENT DE LA MINUTERIE

Appuyez de manière répétée sur la touche MODE pour choisir le mode Automatique, Aléatoire ou Manuel

**REMARQUE:** La minuterie doit être en mode « AUTO » pour activer les activités programmées.

**AUTO:** enclenche automatiquement toutes les activités selon l'horaire programmé. Le mot « AUTO » apparaît sur l'écran.

**RDM (Aléatoire):** active toutes les activités de manière aléatoire. Cette fonction de sécurité permet d'activer et de désactiver à ± 15 minutes des heures programmées, conférant un aspect habité aux lieux. L'acronyme « RDM » apparaît sur l'écran.

**REMARQUE:** Ne programmez pas des activités à intervalles de 30 minutes ou moins, si vous utilisez la fonction aléatoire. La fonction aléatoire s'enclenche à ± 15 minutes de l'heure programmée et une programmation trop rapprochée risque de superposer les activités, entraînant un désordre dans les activations.

**MANUAL (manuel):** active et désactive sur pression des touches ON ou OFF par l'utilisateur. L'écran est vierge, n'affiche pas RDM ni AUTO.

## SURPASSEMENT DE LA PROGRAMMATION

Les touches ON ou OFF permettent de surpasser les activités programmées. Pour surpasser l'activité en cours, (soit activer ou désactiver), appuyez sur la touche ON ou OFF.

**REMARQUE:** Si la minuterie n'est pas en mode « Manual », elle obéira à la prochaine activité programmée. Ceci permet à l'utilisateur d'allumer manuellement une lampe et de laisser la minuterie l'éteindre selon l'heure programmée.

## REPROGRAMMATION DE LA MINUTERIE

En cas de panne de la minuterie, insérez un objet mince non conducteur (comme un cure-dent en bois) dans l'orifice RESET (remise à zéro) pour effacer la programmation et recommencer.

## \*Fonctionne avec les ampoules fluocompactes.

\*Cette minuterie a été testée pour fonctionner avec les ampoules fluocompactes (FLC) standard. Cependant, elle ne contrôlera pas une ampoule fluocompact qui indique spécifiquement

**REMARQUE:** L'installation de la minuterie est facultative pour l'installation du porte-serviettes chauffant. Les porte-serviettes NE DÉPASSERA PAS LA PUISSANCE NOMINALE indiquée dans ce manuel.

## Caractéristiques

Général: 125 V ac, 60 Hz; 15 A, 1875W  
 Resistive: 125 V ac, 60 Hz; 15 A, 1875W  
 Tungstène (incandescence): 8 Amp, 125 VAC 1000 Watts  
 Ballast (fluorescente) : 8 Amp, 125 VAC  
 Moteur: 1/4 H.P., 125 VAC



# IMPORTANT - Déclaration De La FCC Concernant Le Brouillage

Cet appareil a été testé et déclaré conforme aux limites imposées aux appareils numériques de classe B, conformément à l'alinéa 15 du règlement de la FCC. Ces limites sont destinées à assurer une protection raisonnable contre les interférences nuisibles dans un environnement résidentiel. Cet appareil génère, utilise et peut émettre de l'énergie radiofréquence et, s'il n'est pas installé et utilisé conformément aux instructions, risque de provoquer des interférences nuisibles aux communications radio. Cependant, tout risque d'interférence ne peut être totalement exclu. Si l'utilisateur constate des interférences lors de la réception d'émissions de radio ou de télévision (il suffit pour le vérifier d'allumer et d'éteindre successivement l'appareil), il devra prendre les mesures nécessaires suivantes pour les éliminer :

- Réorienter ou déplacer l'antenne réceptrice.
- Accroître la distance entre l'appareil et le récepteur.
- Brancher l'appareil sur une prise de courant connectée à un circuit autre que celui du récepteur.
- Chercher de l'aide auprès du détaillant ou d'un technicien en radio ou en télévision expérimenté.

Cet appareil est conforme à l'alinéa 15 du règlement de la FCC.

Son utilisation est soumise aux deux conditions suivantes :

- (1) Cet appareil ne doit provoquer aucune interférence nuisible; et
- (2) cet appareil doit accepter toute interférence reçue, y compris les interférences pouvant entraîner un fonctionnement indésirable.

**ATTENTION:** Toute modification non autorisée expressément par la partie responsable de la conformité peut annuler le droit de l'utilisateur de se servir de cet appareil.

Déclaration d'Industrie Canada :

Cet appareil numérique de la classe B est conforme à la norme NMB-003 du Canada. Le présent appareil est conforme aux CNR d'Industrie Canada applicables aux appareils radio exempts de licence.

L'exploitation est autorisée aux deux conditions suivantes :

- (1) l'appareil ne doit pas produire de brouillage, et
- (2) l'utilisateur de l'appareil doit accepter tout brouillage radioélectrique subi, même si le brouillage est susceptible d'en compromettre le fonctionnement.