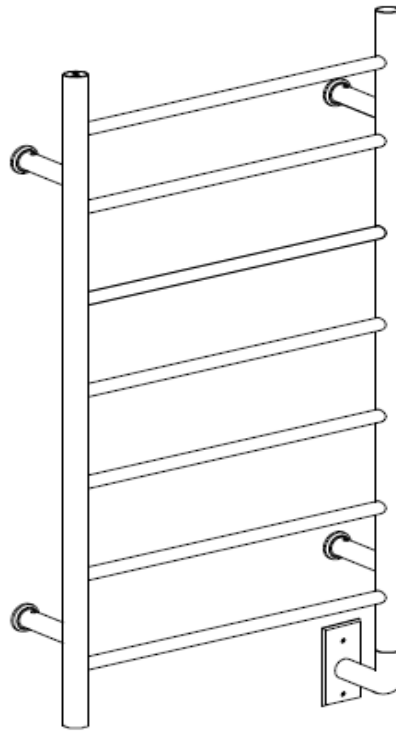




If you need some support or before returning this product, please contact us at:

- *Email : service@asiamolutions.com*
- *Phone: 1-888-686-0778*



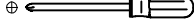
Installation and Operations Manual

Towel Warmer

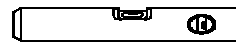
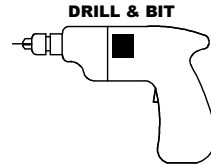
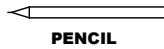
Comfort 7

Tools Required

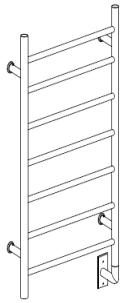
STAR HEAD SCREWDRIVERS



FLAT HEAD SCREWDRIVERS



Ancona Wall Hardwire



Parts for wall-mounted installation

a  6pcs
ø8mm

e  4pcs

b  4pcs

f  4pcs

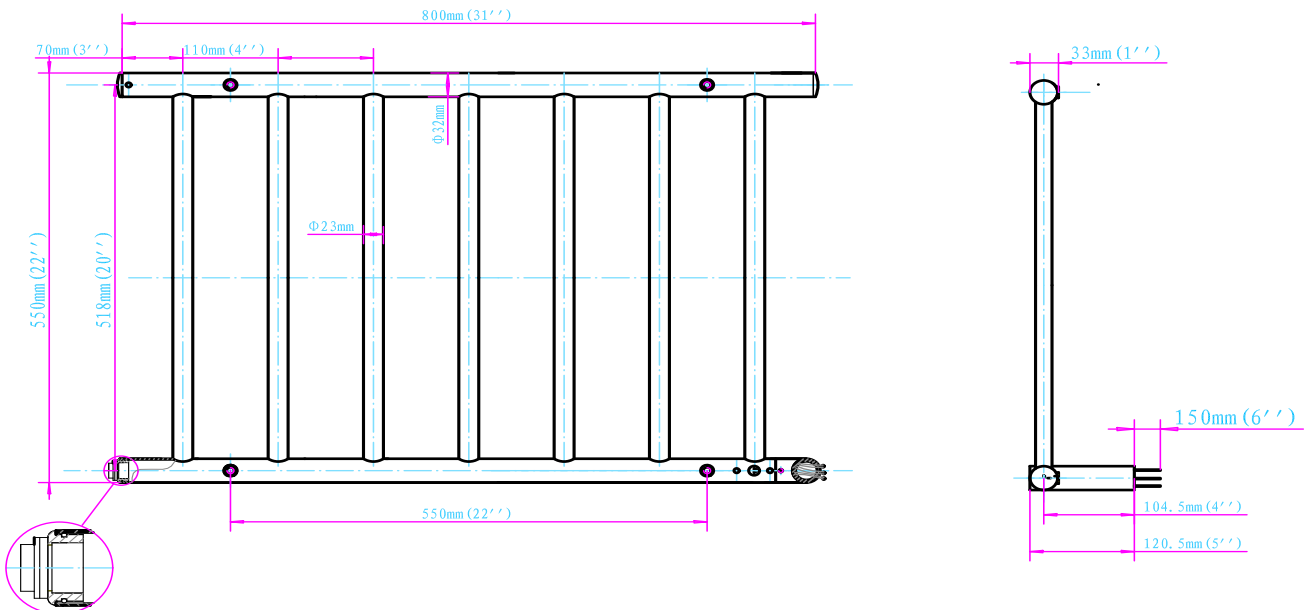
c  6pcs

g  4pcs

d  4pcs

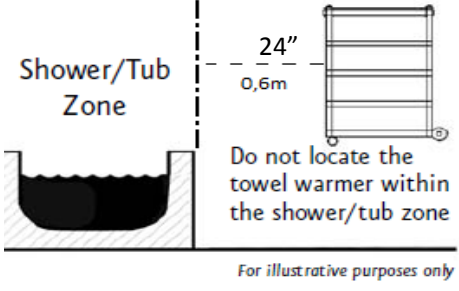
h  1pc

Product Dimensions



CAUTION

1. Install in accordance with national and local codes
2. Do not install in the shower, sauna or any wet locations
3. Make sure towel warmer is properly secured to the wall before use.



For illustrative purposes only

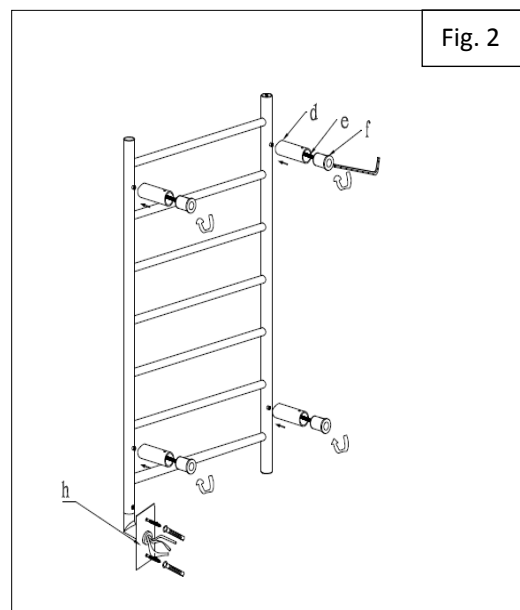
Installation

Step 1: Verifying installation parts (fig. 1)

- Ensure all parts for mounting installation were supplied with your towel warmer.
- If any are missing, please contact us.

Step 2: Installing wall mount posts (fig. 2)

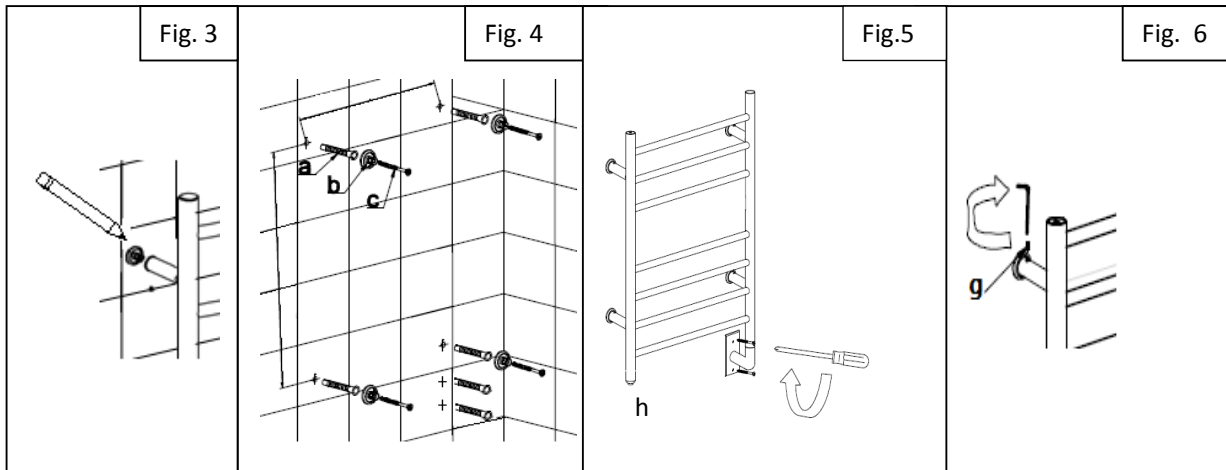
- Locate the following parts:
 - o d: Metal wall leg
 - o e: Screw to set post in main body
 - o f: Plastic insert (this insert may already be installed inside the metal post)
 - o g: Set Screw (this set screw may already be installed inside the metal post)(see fig.6)
- Position parts correctly:
 - o Plastic insert f) is positioned inside metal leg d)
 - o Set screw g) is inserted in metal wall leg d) (see fig.6)
 - o If part b) is inserted in part d) remove it
- Install wall leg d)
 - o Position wall leg d) on the main body where the screws can be inserted
 - o Insert screw e) and screw wall leg into main body using appropriate sized Allen Key
 - o Repeat for all 4 wall legs



Installation cont'd

Step 3: Marking holes for wall mount posts (fig. 3)

- Take towel warmer with 4 wall leg mounted, as per step 2
- Position against the wall where you will want to install the towel warmer
- Ensure the hard wire post is turned in at 90 degrees so you can also mark this leg
- Use light pencil to mark legs on the wall (you may want to erase the pencil mark following installation completion, so make sure you mark lightly)



Step 4: Installing wall posts (fig. 4)

- If installing on dry wall with no rear beam support:
 - o Drill a hole in the center of each of the 4 circles marked on the wall as per step 3
 - o Ensure drilled hole is large enough to insert the plastic plug provided – part a)
 - o Insert/ screw the plastic plug in each of the 4 holes
 - o Position wall post b) on top of plastic plug and put in screw c) to set in place
- If installing on surface with rear support, e.g. wood studs
 - o Pre-drill small hole in the center of each circle as per step 3
 - o Position wall post b) on top of pre-drilled hole and put in screw c) to set in place

Step 5: Installing hard wire leg (fig. 5)

- Create a hole in the wall to let the hard wire leg go through
- The leg will be covered by plate h) so the hole should be large enough to allow space for electrical connection and leg to go through but not too large so the plate can cover it fully
- Electrical wiring must be done by qualified professionals and in accordance with all applicable codes and standards, including fire-rated constructions

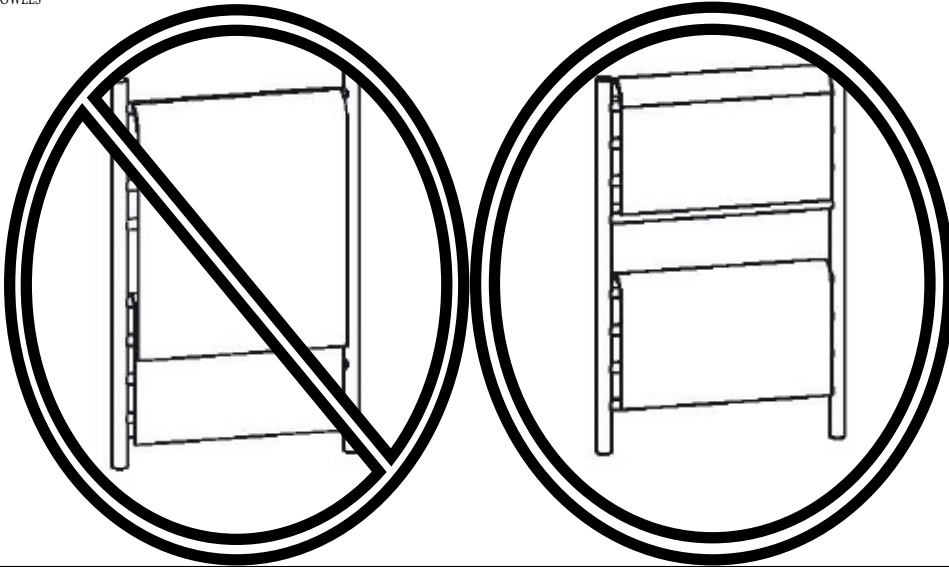
Step 6: Mounting main body onto wall (fig. 6)

- Take main body and position each of the 4 legs on top of the wall post b)
- Once inserted use Allen Key to tighten each set screw g)
- The installation should be complete

Step 7: Power the Towel Warmer

- Remove protective white covers, they are located at the end of each vertical bars
- Turn the switch on to start towel warmer; the on-off switch is located at the end of one of the posts
- The towel warmer should reach its pre-set temperature in approximately 15 minutes
- This towel warmer is designed to operate continuously and can be left on all the times. To save electricity it can be turned off when not in use.

PROPERLY HANG TOWELS



Operation and maintenance instruction

- After installation, connect the electric power and turn on the switch. The indicator light will show red and the towel warmer will start to work.
- Turn off the switch when the towel warmer is not in use. The indicator light will turn dark and the towel warmer will stop working.
- Clean the towel warmer with a soft dry towel. Do not clean with abrasive cleaning powder.



- Towel warmers are designed for heating towels and bathrobes and should not be used for other purposes.
- The manufacturer or reseller assumes no liability if the device is used in combination with equipment or accessories not sold by the manufacturer.
- Never stand, sit or climb on the unit.
- The unit is designed to warm up towel and may become very hot .
- An adult must supervise when the device is used by or near children.
- Unplug the unit and ensure that the electrical circuit breaker is off the main panel before wiring, carrying out a repair or servicing your heated towel warmer.
- Do not place your towel warmer inside a shower, sauna or plunge into the water.
- To ensure continued protection against risk of electric shock, plug the unit into a properly grounded outlet.
- Approved for domestic use only. Do not use outdoors.

Information : info@anconahoods.com



This Towel Warmer is warranted by AMS, in the manner fully set forth below, to be free from defects in material and workmanship and to operate properly in accordance with specifications, provided that it is used under the normal operating conditions and for ordinary home use and service in Canada and the USA.

AMS provides a limited warranty for its Products for a period of 1 year from the original date of purchase (the “**Warranty Period**”), against any defects in workmanship and materials (the “**Warranty**”).

Subject to the previous paragraph and during the Warranty Period, AMS will, at its sole discretion, replace or repair any defective parts of the Product sent to AMS during the Warranty Period (or, if the Product is no longer available, replace the defective Product with a comparable Product of equal or greater value).

AMS’S SOLE OBLIGATION AND THE CUSTOMER’S SOLE REMEDY FOR ANY DEFECTIVE PRODUCT OR PART THEREOF SHALL BE LIMITED TO THE REPAIR AND REPLACEMENT THEREOF. AMS’S ENTIRE AGGREGATE LIABILITY UNDER THE WARRANTY SHALL NOT EXCEED THE ORIGINAL PURCHASE PRICE OF THIS PRODUCT (EXCEPT WHERE AMS, IN ITS SOLE DISCRETION, DECIDES TO REPLACE THE PRODUCT WITH A PRODUCT OF GREATER VALUE).

THE PURCHASER IS RESPONSIBLE FOR ALL RELATED SHIPPING, INSURANCE AND HANDLING COSTS DURING THE WARRANTY PERIOD. PRIOR TO RETURNING ANY PRODUCT TO AMS, THE CUSTOMER MUST FIRST OBTAIN A RETURN AUTHORIZATION NUMBER AND SHIPPING INSTRUCTIONS FROM AMS (AN “AUTHORIZATION”) BY CALLING THE FOLLOWING NUMBER: 1-888-686-0778.

After having obtained an Authorization from AMS, the customer should promptly ship the Product to the address specified in the Authorization with the following documentation:

- A complete description of the problem;
- The Product model number;
- The date and location of Product purchase; and
- The original sales receipt to be valid.

This Warranty does not cover and AMS shall not be responsible for: (i) service calls to correct the installation of the Product, to instruct the customer on how to use the Product or any other customer education and (ii) labour costs associated with the removal, shipping and reinstallation cost or other contingent expenses.

Damages caused by accident, fire, lightning, brown-out, leaking, superior force, power failure, improper power supply, improper installation, handling or operation, error, use for non-domestic purposes, shipping damage, negligence, abuse, misuse, unauthorized repair, whether performed by the customer or a third party, or improper care or maintenance WILL IMMEDIATELY RENDER THIS WARRANTY NULL AND VOID AND AMS WILL BE RELIEVED FROM ITS OBLIGATION TO WARRANT THE PRODUCT.

AMS WILL NOT BE LIABLE FOR DAMAGES TO PERSONS OR PROPERTY IN CONNECTION WITH THE INSTALLATION, REPAIR OR REPLACEMENT OF THE PRODUCT, NOR FOR ANY INDIRECT, SPECIAL, PUNITIVE, EXEMPLARY, INCIDENTAL OR CONSEQUENTIAL DAMAGES, LOSSES, INJURY OR COSTS OF ANY NATURE, INCLUDING, WITHOUT LIMITATION, LOSS OF USE OR MALFUNCTION RELATING TO THIS PRODUCT. THIS WARRANTY IS NOT TRANSFERABLE OR ASSIGNABLE TO ANY PERSON.

SAVE AS HEREIN PROVIDED, THERE ARE NO OTHER WARRANTIES, CONDITIONS, REPRESENTATIONS OR GUARANTEES, EXPRESS OR IMPLIED, INCLUDING, WITHOUT LIMITATION, WARRANTY OF MERCHANTABILITY OR FITNESS FOR A PARTICULAR PURPOSE, MADE OR INTENDED BY AMS OR ITS AUTHORIZED DISTRIBUTORS.

Some provinces or states may not allow limitations on the exclusion or limitation of incidental or consequential damages, so these limitations and exclusions may not entirely apply to certain customers. Any provision in the Warranty which is unenforceable in any province or state shall be ineffective to the extent of such unenforceability, without invalidating the remaining provisions or affecting the validity or enforceability of such provisions in any other province or state.

This Warranty gives the customer specific legal rights, and the customer may also have rights which vary based on state, province or country.

For service and assistance, please call: 1-888-686-0778, or email us at: service@asiamolutions.com

In-Wall Auto Shut-Off Electronic Timer



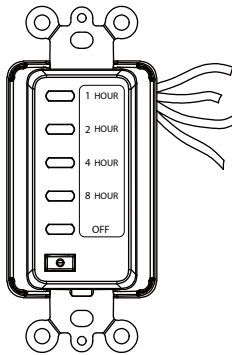
Service@AnconaHome.com 1-888-686-0778



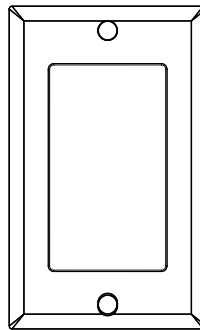
Rating: 120V/15A/1800W Resistive (Appliance)
120V/8.3A/1000W Tungsten (Incandescent)
1/4HP, Motor: 1000VA, Ballast
120VAC 60Hz, 15A General Purpose
Electronic Ballast: 500 VA

MAPATIM02-01
2019-05-13

Contents



1 In-wall countdown timer



Cover



Wire connectors



Mounting screws



Safety Information

WARNING

- TO AVOID FIRE, SHOCK, OR DEATH, TURN OFF POWER AT CIRCUIT BREAKER AND TEST THAT POWER IS OFF BEFORE WIRING.
- TO AVOID OVERHEATING, USE ONLY 14 AWG, 600V, 105°C WIRE TO CONNECT THIS TIMER.

CAUTION

- Wattage of lamps or appliances controlled must NOT exceed rated capacity. FOR INDOOR USE ONLY.

Instructions

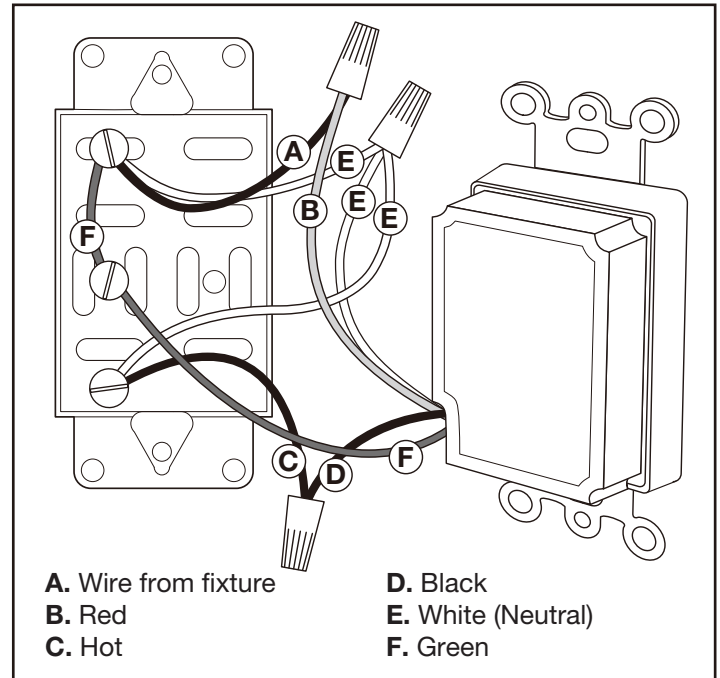
NOTE: Neutral wire is required for this timer to function. This timer is not compatible for 3-wire switches.

1. Turn power OFF at the circuit breaker or remove the fuse.
2. Remove existing wall plate and switch, if applicable. Take note of supply ("hot" (usually black or red)) and neutral wires for future reference.
3. Ensure neutral (white) wire is present in the junction box. If this wire is not present, additional wiring arrangements will be needed before installation can be completed. Consult a qualified electrician.
4. Strip 3/8 in. of insulation from each wire required for installation.
5. Connect the green wire (F) from the junction box to the green wire from the timer.
6. Connect the white wire (E) from the timer to the white wire(s) in the junction box. Secure connection using the wire connector (orange) included in the package.
7. Connect the black wire (D) from the timer to the HOT wire (previously connected to the switch) and connect the red wire (B) from the timer to the second wire (previously connected to the switch).

NOTE: If not sure which wire is Hot, connect black wire (D) from the timer to one of the black wires, previously connected, and the red wire (B) from timer to the second black wire (previously connected to the switch). Secure connections with wire connectors.

8. Carefully shift all wires to provide room for timer in the junction box.
9. Secure timer to box with included screws, and install cover plate.
10. Reconnect your electrical power.
11. Test the timer.

NOTE: If the timer is not functioning, interchange two black wires previously connected to switch (see point 7 above).



***Works with CFL bulbs.**

This timer has been tested to work with standard compact fluorescent (CFL) bulbs. However, it will not control a CFL bulb that specifically states "not to be used with timer controls." If in doubt, please consult the bulb manufacturer.

Operation

Timer Setting

- To set timer, press button sequentially to select one of the four timed delay shut-off settings: 1 hour / 2 hours / 4 hours / 8 hours.
- The illuminated LED display indicates which time delay shut-off setting is selected.
- Timer starts counting down until desired time setting is reached, and shuts off automatically. "OFF" LED display is illuminated.

Manual Shut-Off

- To turn timer OFF manually, press button repeatedly until "OFF" LED display is illuminated.

SAVE THESE INSTRUCTIONS!