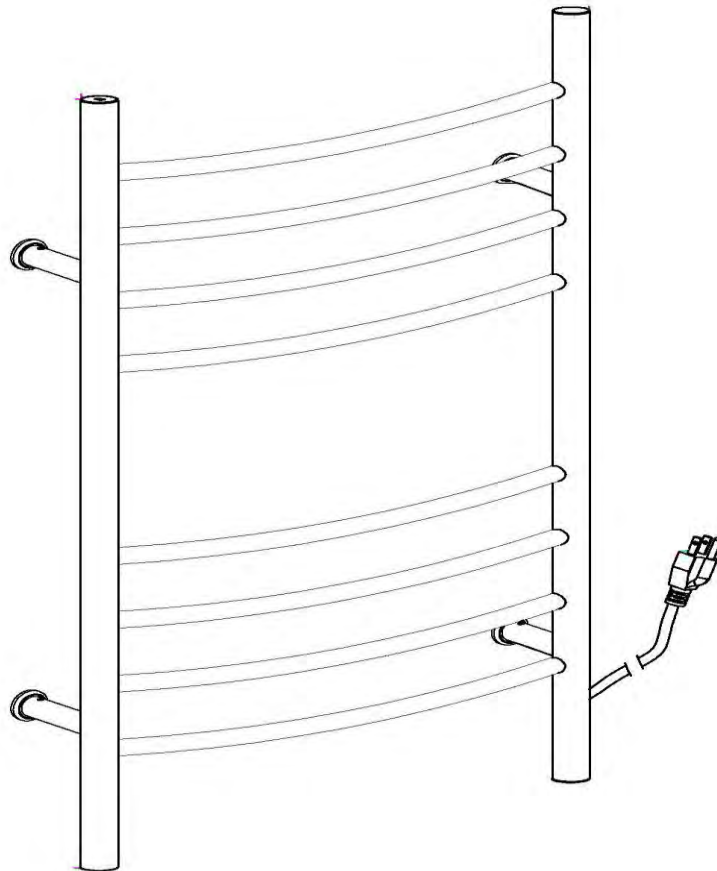




Comfort 8 Plug-In Towel Warmer



User Manual & Installation Instructions

IMPORTANT SAFETY INSTRUCTIONS
Carefully read the important information
regarding installation, safety and maintenance.
Keep these instructions for future reference.

MAAN5228-02
2020-04-23

Tools required

STAR HEAD SCREWDRIVERS **FLAT HEAD SCREWDRIVERS**
ALLEN KEYS **PENCIL**
DRILL & BIT (ø8mm)
MEASURING TAPE **LEVEL**

Comfort 8 Wall Plug-In Installation

Parts for wall-mounted installation

a	4pcs ø8mm	e	4pcs	i	1pc (large)
b	4pcs	f	4pcs		
c	4pcs	g	4pcs		
d	4pcs	h	1pc (small)		

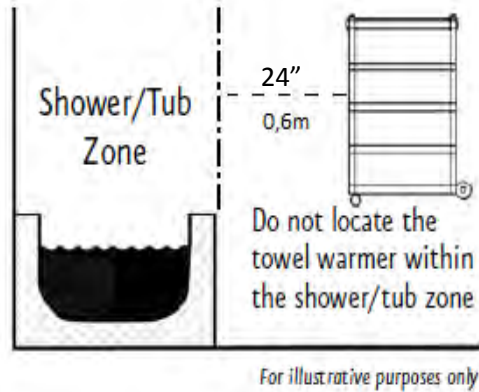
Product Dimensions

Front View Dimensions:
 Total width: 810mm (32")
 Distance between vertical bars: 470mm (18 1/2")
 Total height: 610mm (24")
 Height to top bar: 583mm (23")

Side View Dimensions:
 Wall thickness: 66mm (2 5/8")
 Distance from wall to top bar: 150mm (6")
 Distance from wall to bottom bar: 117mm (4 1/4")
 Distance from wall to bottom bar (including offset): 120mm (4 3/4")

CAUTION

1. Install in accordance with national and local codes
2. Do not install in the shower, sauna or any wet locations
3. Make sure towel warmer is properly secured to the wall before use.



Installation

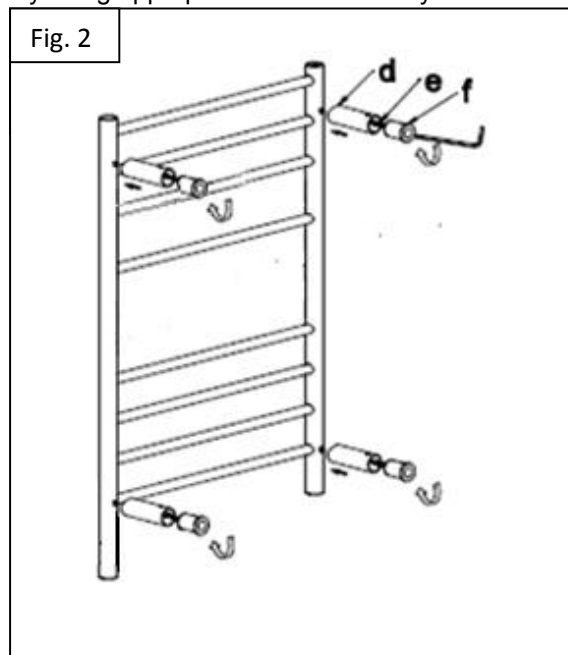
Step 1: Verifying installation parts

- Ensure all parts for mounting installation were supplied with your towel warmer. (see fig.1)
- If any are missing, please contact us.

Step 2: Installing wall mount posts (fig. 2)

- Locate the following parts:
 - o d: Metal wall leg
 - o e: Screw to set post in main body
 - o f: Plastic insert (this insert may already be installed inside the metal post)
 - o g: Set Screw (this set screw may already be installed inside the metal post) (see fig.5)
- Position parts correctly:
 - o Plastic insert f) is positioned inside metal leg d)
 - o Set screw g) is inserted in metal wall leg d) (see fig.5)
 - o If part b) is inserted in part d) remove it
- Install wall legs d)
 - o Position wall leg d) on the main body where the screws can be inserted
 - o Insert screw e) and screw wall leg into main body using appropriate sized Allen key
 - o Repeat for all 4 wall legs

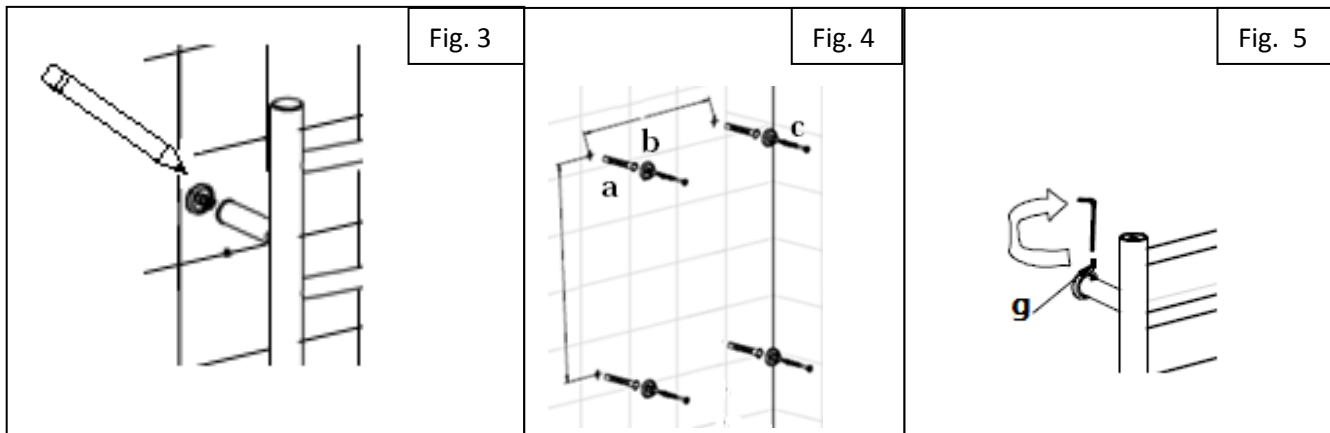
Fig. 2



Installation cont'd

Step 3: Marking holes for wall mount posts (fig. 3)

- Take towel warmer with 4 wall legs mounted, as per step 2
- Position against the wall where you will want to install the towel warmer
- Ensure that the electric plug will reach nearest outlet.
- Use light pencil to mark legs on the wall (you may want to erase the pencil mark following installation completion, so make sure you mark lightly)



Step 4: Installing wall posts (fig. 4)


- If installing on dry wall with no rear beam support:
 - o Drill a hole in the center of each of the 4 circles marked on the wall as per step 3
 - o Ensure drilled hole is large enough to insert the plastic plug provided – part a)
 - o Insert/ screw the plastic plug in each of the 4 holes
 - o Position wall post b) on top of plastic plug and put in screw c) to set in place
- If installing on surface with rear support, e.g. wood studs
 - o Pre-drill small hole in the center of each circle as per step 3
 - o Position wall post b) on top of pre-drilled hole and put in screw c) to set in place

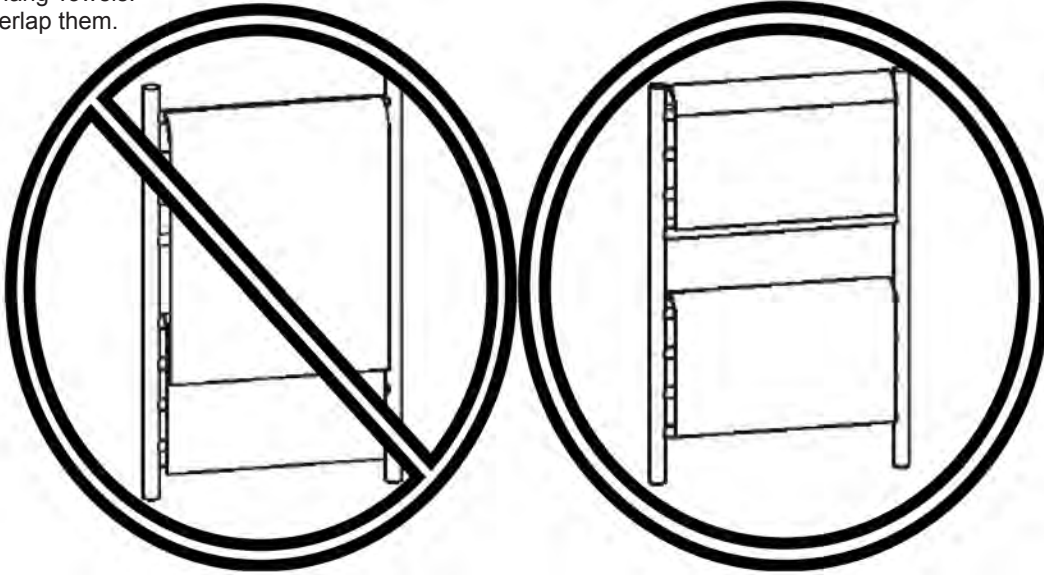
Step 5: Mounting main body onto wall (fig. 5)

- Take main body and position each of the 4 legs on top of the wall posts b)
- Once inserted use Allen key to tighten each set screw g)
- The installation should be complete

Step 6: Power the towel warmer

- Remove protective white covers, they are located at the end of each of the vertical bars.
- Turn the switch on to start towel warmer; the on-off switch is located at the end of one of the posts.
- The towel warmer should reach its pre-set temperature in approximately 15 minutes.
- This towel warmer is designed to operate continuously and can be left on all the times. To save electricity it can be turned off when not in use.

 Properly Hang Towels.
Do not overlap them.



Operation and maintenance instructions

- After installation, connect the electric power and turn on the switch. The indicator light will show red and the towel warmer will start to work.
- Turn off the switch when the towel warmer is not in use. The indicator light will turn dark and the towel warmer will stop working.
- Clean the towel warmer with a soft dry towel. Do not clean with abrasive cleaning powder.
- This unit has been designed to run continuously.



- Towel warmers are designed for heating towels and bathrobes and should not be used for other purposes.
- The manufacturer or reseller assumes no liability if the device is used in combination with equipment or accessories not sold by the manufacturer.
- Never stand, sit or climb on the unit.
- The unit is designed to warm up towels and may become very hot.
- An adult must supervise when the device is used by or near children.
- Unplug the unit and ensure that the electrical circuit breaker is off the main panel before wiring, carrying out a repair or servicing your heated towel warmer.
- Do not place your towel warmer inside a shower, sauna or plunge into the water.
- To ensure continued protection against risk of electric shock, plug the unit into a properly grounded outlet.
- Approved for domestic use only. Do not use outdoors.



This Towel Warmer is warranted by AMS, in the manner fully set forth below, to be free from defects in material and workmanship and to operate properly in accordance with specifications, provided that it is used under the normal operating conditions and for ordinary home use and service in Canada and the USA.

AMS provides a limited warranty for its Products for a period of 1 year from the original date of purchase (the “**Warranty Period**”), against any defects in workmanship and materials (the “**Warranty**”).

Subject to the previous paragraph and during the Warranty Period, AMS will, at its sole discretion, replace or repair any defective parts of the Product sent to AMS during the Warranty Period (or, if the Product is no longer available, replace the defective Product with a comparable Product of equal or greater value).

AMS’S SOLE OBLIGATION AND THE CUSTOMER’S SOLE REMEDY FOR ANY DEFECTIVE PRODUCT OR PART THEREOF SHALL BE LIMITED TO THE REPAIR AND REPLACEMENT THEREOF. AMS’S ENTIRE AGGREGATE LIABILITY UNDER THE WARRANTY SHALL NOT EXCEED THE ORIGINAL PURCHASE PRICE OF THIS PRODUCT (EXCEPT WHERE AMS, IN ITS SOLE DISCRETION, DECIDES TO REPLACE THE PRODUCT WITH A PRODUCT OF GREATER VALUE).

THE PURCHASER IS RESPONSIBLE FOR ALL RELATED SHIPPING, INSURANCE AND HANDLING COSTS DURING THE WARRANTY PERIOD. PRIOR TO RETURNING ANY PRODUCT TO AMS, THE CUSTOMER MUST FIRST OBTAIN A RETURN AUTHORIZATION NUMBER AND SHIPPING INSTRUCTIONS FROM AMS (AN “AUTHORIZATION”) BY CALLING THE FOLLOWING NUMBER:

1-800-350-4562.

After having obtained an Authorization from AMS, the customer should promptly ship the Product to the address specified in the Authorization with the following documentation:

- A complete description of the problem;
- The Product model number;
- The date and location of Product purchase; and
- The original sales receipt to be valid.

This Warranty does not cover and AMS shall not be responsible for: (i) service calls to correct the installation of the Product, to instruct the customer on how to use the Product or any other customer education and (ii) labour costs associated with the removal, shipping and reinstallation cost or other contingent expenses.

Damages caused by accident, fire, lightning, brown-out, leaking, superior force, power failure, improper power supply, improper installation, handling or operation, error, use for non-domestic purposes, shipping damage, negligence, abuse, misuse, unauthorized repair, whether performed by the customer or a third party, or improper care or maintenance WILL IMMEDIATELY RENDER THIS WARRANTY NULL AND VOID AND AMS WILL BE RELIEVED FROM ITS OBLIGATION TO WARRANT THE PRODUCT.

AMS WILL NOT BE LIABLE FOR DAMAGES TO PERSONS OR PROPERTY IN CONNECTION WITH THE INSTALLATION, REPAIR OR REPLACEMENT OF THE PRODUCT, NOR FOR ANY INDIRECT, SPECIAL, PUNITIVE, EXEMPLARY, INCIDENTAL OR CONSEQUENTIAL DAMAGES, LOSSES, INJURY OR COSTS OF ANY NATURE, INCLUDING, WITHOUT LIMITATION, LOSS OF USE OR MALFUNCTION RELATING TO THIS PRODUCT. THIS WARRANTY IS NOT TRANSFERABLE OR ASSIGNABLE TO ANY PERSON.

SAVE AS HEREIN PROVIDED, THERE ARE NO OTHER WARRANTIES, CONDITIONS, REPRESENTATIONS OR GUARANTEES, EXPRESS OR IMPLIED, INCLUDING, WITHOUT LIMITATION, WARRANTY OF MERCHANTABILITY OR FITNESS FOR A PARTICULAR PURPOSE, MADE OR INTENDED BY AMS OR ITS AUTHORIZED DISTRIBUTORS.

Some provinces or states may not allow limitations on the exclusion or limitation of incidental or consequential damages, so these limitations and exclusions may not entirely apply to certain customers. Any provision in the Warranty which is unenforceable in any province or state shall be ineffective to the extent of such unenforceability, without invalidating the remaining provisions or affecting the validity or enforceability of such provisions in any other province or state.

This Warranty gives the customer specific legal rights, and the customer may also have rights which vary based on state, province or country.

For service and assistance, please call: 1-800-350-4562, or email us at: info@anconahoods.com