



Brezza bathroom fan with adaptor



User Manual & Installation Instructions

IMPORTANT SAFETY INSTRUCTIONS
Carefully read the important information
regarding installation, safety and maintenance.
Keep these instructions for future reference.

MAAN4807-01
2017-09-22

Safety Information

1. **WARNING** — TO REDUCE THE RISK OF FIRE ELECTRIC SHOCK OR INJURY TO PERSONS, OBSERVE THE FOLLOWING:
 - a. Use this unit only in the manner intended by the manufacturer. If you have questions, contact the manufacturer.
 - b. Before servicing or cleaning unit, switch power off at service panel and lock the service disconnecting means to prevent power from being switched on accidentally. When the service disconnecting means cannot be locked, securely fasten a prominent warning device, such as a tag, to the service panel.
2. This ventilation fan is approved for use over a bathtub or shower when installed in a GFCI protected circuit. Do not use unapproved fans over a bathtub or shower that is not approved for that application.
3. Installation work must be carried out by a qualified person(s) in accordance with all local and safety codes including the rules for fire-rated construction.
4. Always vent fans to the exterior and in compliance with local codes.
5. Install ductwork in a straight line with minimal bends.
6. Use 120 V, 60 Hz for the electrical supply and properly ground the unit. Follow all local safety and electrical codes.
7. Do not use this fan with any solid-state control device; such as a dimmer switch. Solid-state controls may cause harmonic distortion, which can cause a motor humming noise.
8. To reduce the risk of fire or electric shock, do not block air entry grill.
9. Sufficient air is needed for proper combustion and exhausting of gases through the flute (chimney) of fuel burning equipment to prevent back drafting.
10. Ducted fans must always be vented to the outdoors.
11. Mount with the lowest moving parts at least 2.5 meters above floor or grade level.
12. To Reduce The Risk Of Fire Or Electric Shock, Do Not Use This Fan With Any Solid-State Speed Control Device.

Follow the heating equipment manufacturer's guideline and safety standards such as those published by the National Fire Protection Association (NFPA), and the American Society for Heating, Refrigeration and Air conditioning Engineers (ASHRAE), and the local code authorities.



WARNING Not suitable for use as a range hood.



NOTE Make sure duct work size is a minimum of the discharge. Do not reduce. Reducing the duct size can increase fan noise.



CAUTION For general ventilating use only. Do not use to exhaust hazardous or explosive materials and vapors.



IMPORTANT You may want to consult with a professional electrician regarding the wiring of your ventilation fan.



CAUTION Do not install in locations where the air temperature will exceed 104°F (40°C).



WARNING To reduce the risk of electric shock, please disconnect the electrical supply circuit to the fan before installing light kit.



IMPORTANT Exercise care to not damage existing wiring when cutting or drilling into walls or ceilings.



CAUTION This product must be properly grounded.

Pre-Installation

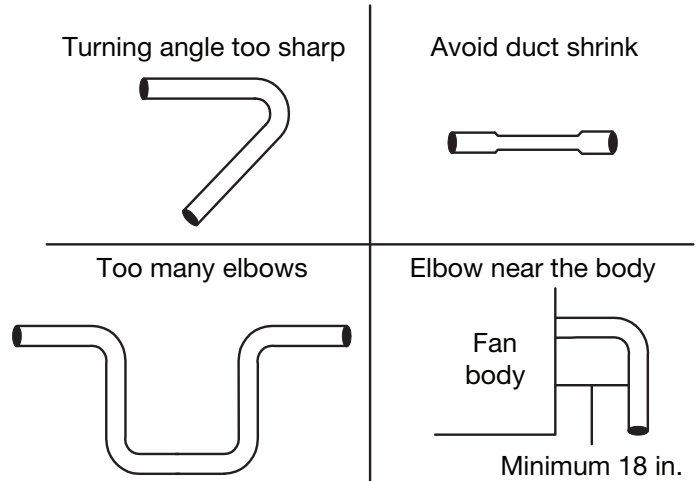
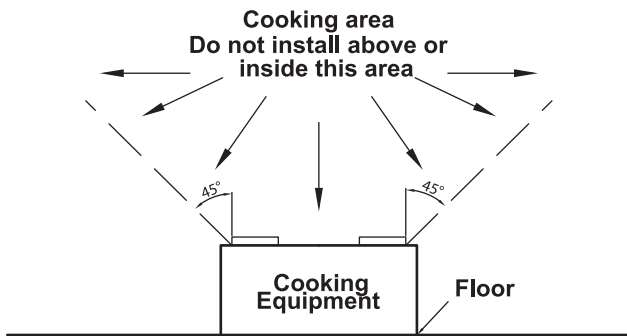
PLANNING FOR SUCCESSFUL INSTALLATION

When installing the ventilation fan in a new construction site, install the main body of the fan and duct work during the rough-in construction of the building. The grill should be installed after the finished ceiling is in place.

When installing in existing construction, use the dimensions on page 9 to determine the required hole size for the ceiling. Grill edges should overlap finished ceiling.

Not for use in cooking area - see installation instructions.

Do not install ventilation fan in areas where the duct work will require configuration as shown.



NOTE If installing in existing construction, you must have access to space above and below the installation location.

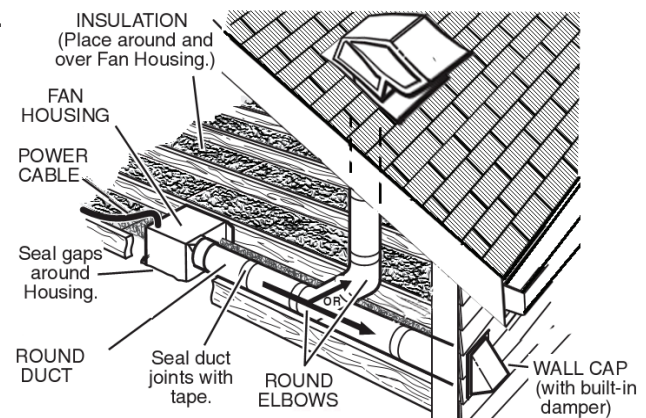
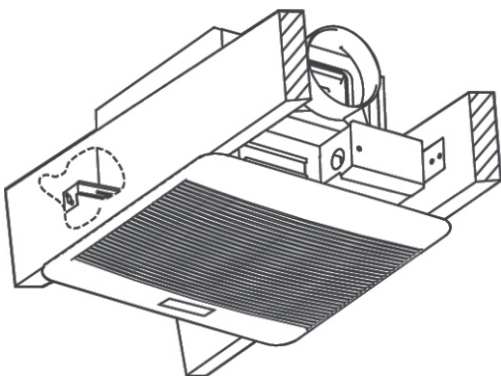


IMPORTANT The ducting from this fan to the outside of the building has a strong effect on the airflow, noise and energy use of the fan. Use the shortest, straightest duct routing possible for best performance, and avoid installing the fan with smaller ducts than recommended. Insulation around the ducts can reduce energy loss and inhibit mold growth. Fans installed with existing ducts may not achieve their rated airflow.

INSTALLATION OPTIONS

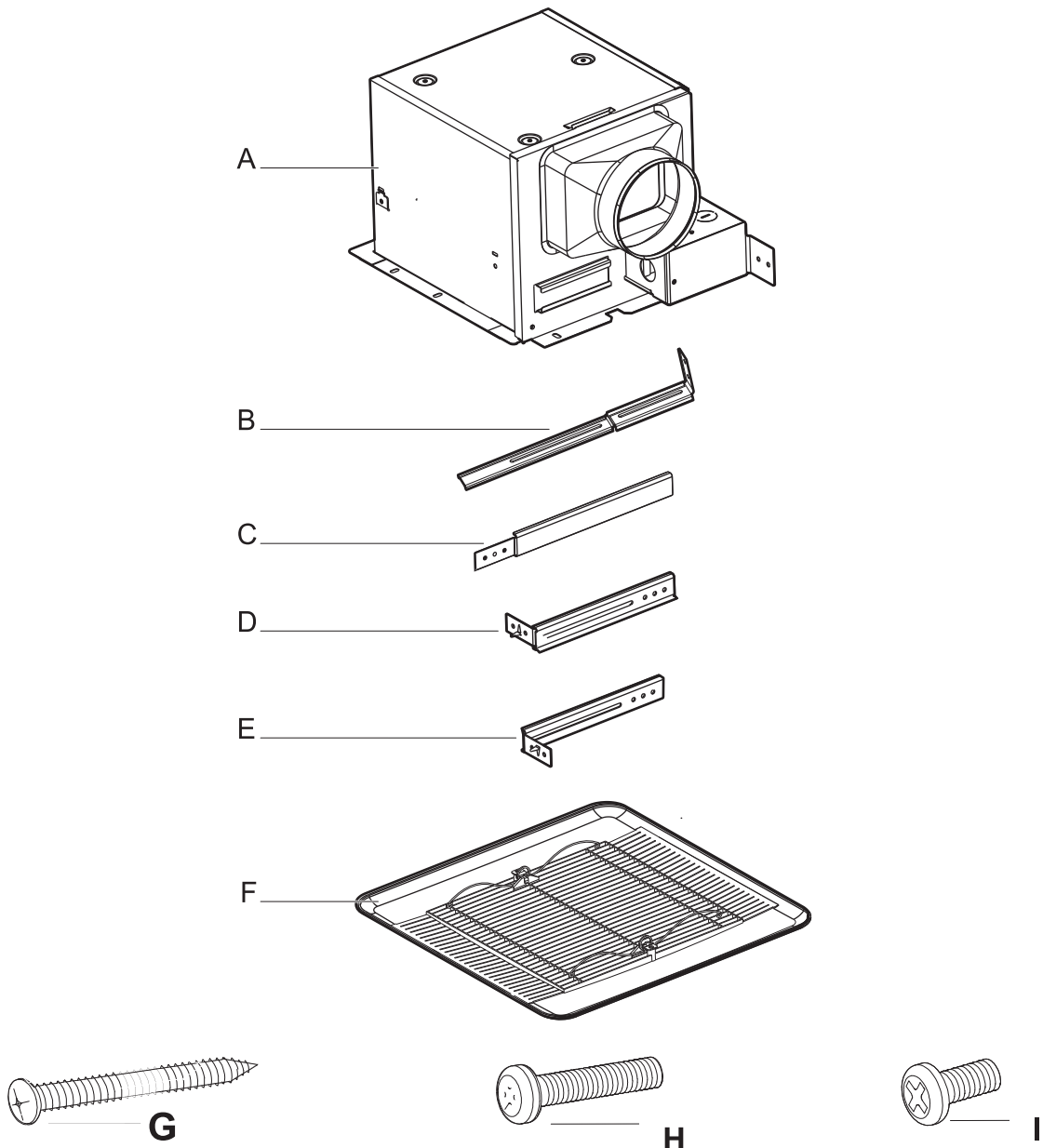
We recommend installing the ventilation fan by securing the main body of the fan against one ceiling joist and using the header bars as necessary for support of the adjoining joist.

There are multiple installation configurations possible for this ventilation fan. Not all configurations are shown. If your installation requires a variation other than those shown, consult with a licensed contractor to determine the best installation for your project. If you are replacing an existing fan, ensure that the new grill will adequately cover the existing opening.



Pre-Installation

PACKAGE CONTENTS



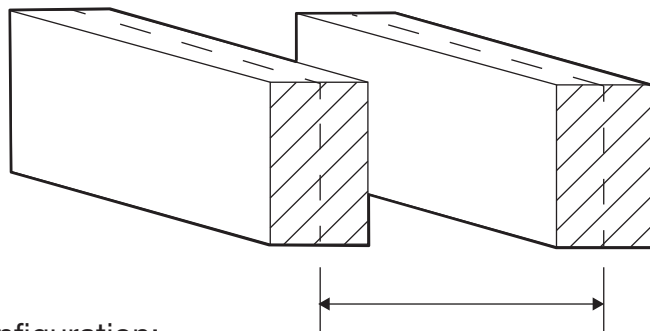
Part	Description	Quantity
A	Fan body	1
B	Installation bracket IV	1
C	Installation bracket II	1
D	Installation bracket I	1
E	Installation bracket III	1
F	Grill	1
G	Long wood screws	8
H	Short screw (4X12)	2
I	Short screw (4X6)	2

Installation

STEP 1

Determine joist width

- Measure the distance from the center of the two ceiling joists where you will be installing the ventilation fan.
- Use the table to determine the header bar installation.
 - For configuration 1, proceed to step 2.
 - For configuration 2, proceed to step 3.
 - For configuration 3, proceed to step 4.



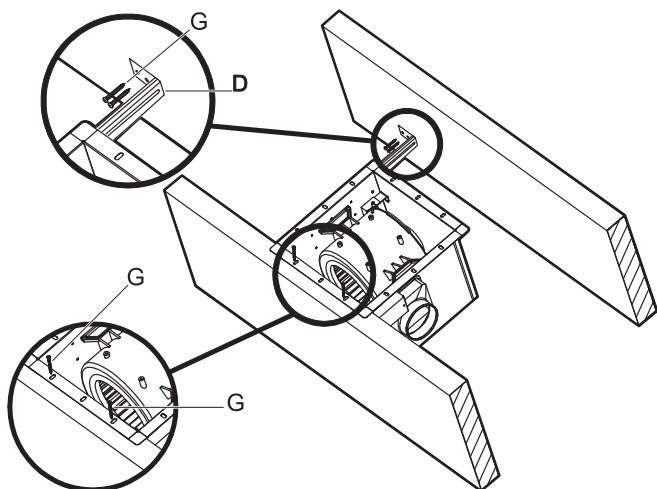
Use the following to determine the proper installation configuration:

Width between the Joists	Brackets Used	Configuration
12 in.	I	1
16 in.	I, IV	2
19.2 in.	I, II	3

STEP 2

Configuration 1, initial install

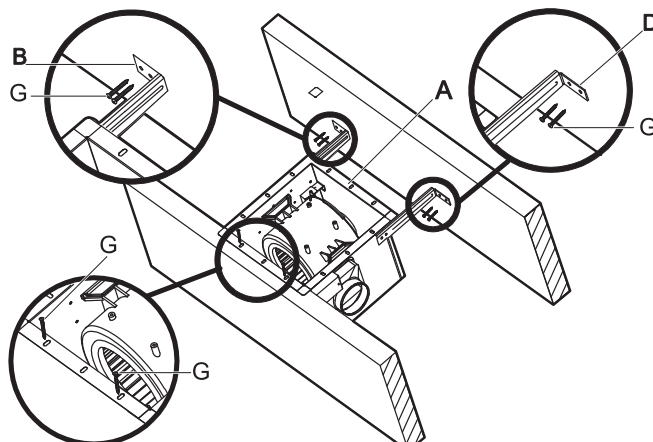
- Use long wood screws (G) to loosely attach the main body of fan (A) to ceiling joist in the four locations shown.
- Fit bracket I (D) against the main body of fan, ensuring the bracket is snug against the opposite ceiling joist.
- Use long wood screws to loosely attach bracket I to the opposite ceiling joist as shown.
- Proceed to step 6.



STEP 3

Configuration 2, initial install

- Use long wood screws (G) to loosely attach the main body of fan (A) to the ceiling joist in the four locations shown.
- Fit bracket IV (B) against the main body of fan, ensuring bracket I is snug against the opposite ceiling joist.
- Fit bracket I (D) against main the body of fan, ensuring bracket IV is snug against the opposite ceiling joist.
- Use long wood screws to loosely attach bracket I to opposite ceiling joist as shown.
- Proceed to step 6.

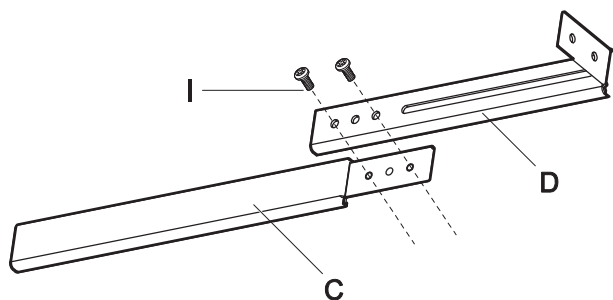


Installation

STEP 4

Configuration 3, preparation

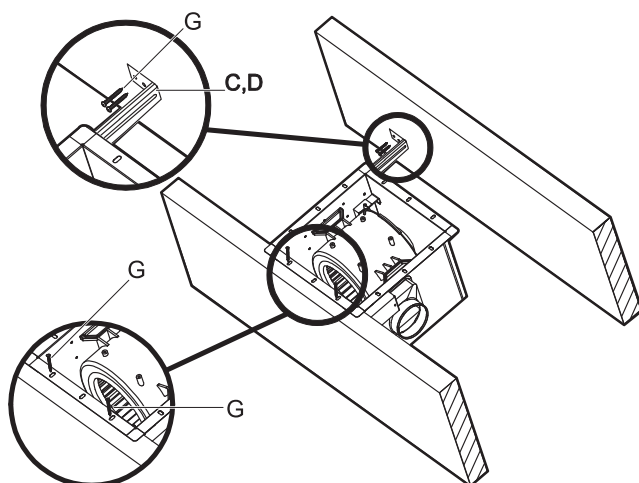
- Connect bracket I (D) to bracket II (C) using two M4x6 screws (I).



STEP 5

Configuration 3, preparation

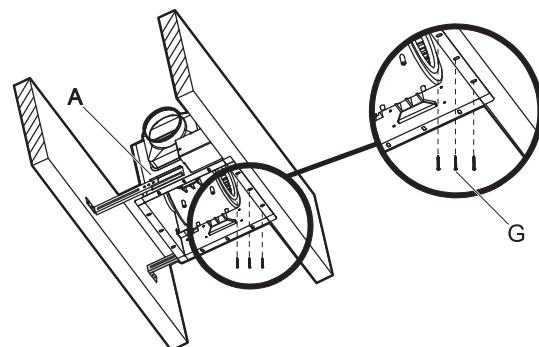
- Use long wood screws (G) to loosely attach the main body of fan (A) to the ceiling joist in the four locations shown.
- Fit connected brackets (C, D) against the main body of fan, ensuring they are snug against the opposite ceiling joist.
- Use long wood screws to loosely attach bracket I and 2 (C, D) to the opposite ceiling joist as shown.
- Proceed to step 6.



STEP 6

Final installation

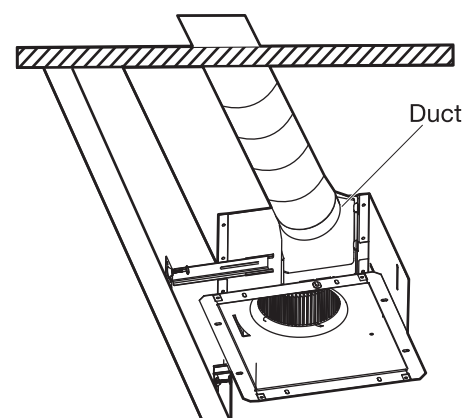
- Ensure the main body (A) is level.
- Ensure the flange on the main body is flush with the ceiling joist.
- Firmly secure all screws on the main body and any installed brackets.
- Use long wood screws (G) to secure the main body flange to bottom of ceiling joist as shown.



STEP 7

Connect duct

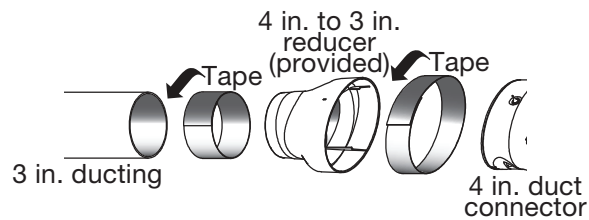
- Install a circular duct to outlet and secure it with duct tape or clamps.
- Install the duct to the outlet with a gradient 1°-2° to the outside as shown.



Installation

Installation with reducer

- Mount the reducer directly on the original 4 in. duct connector, and then use the duct tape to secure and seal.
- Connect the pipe to the other end of the reducer, and then use the duct tape to secure and seal.



STEP 8

Connect wiring



WARNING Wiring must comply with all applicable electrical codes. Turn OFF power before removing or installing connectors.



WARNING COPPER TO COPPER ONLY. Do not use on Aluminum wire.



WARNING Follow all local electrical and safety codes.

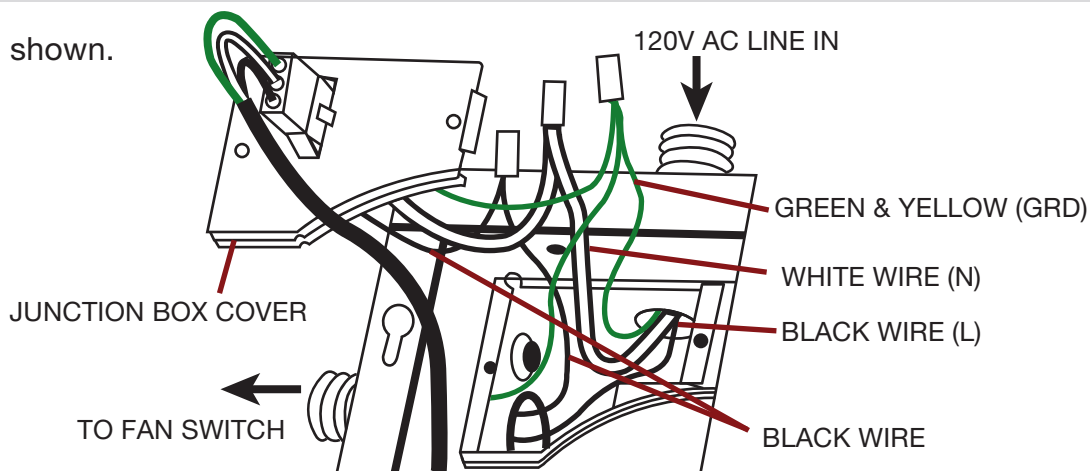


CAUTION Never place a switch where it can be reached from a tub or shower.



CAUTION If your house wires do not match these colors, determine what each house wire represents before connecting. You may need to consult a licensed electrician to determine this safely.

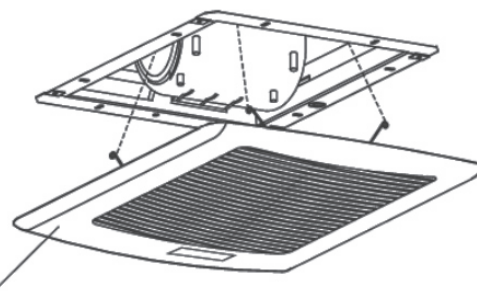
Match colors as shown.



STEP 9

Attach grill

- Insert the mounting springs into the slots in the grill (F).
- Squeeze springs together and insert into the main body.



Troubleshooting



CAUTION Do not install in locations where the air temperature will exceed 104°F (40°C).

Problem	Possible Cause	Corrective Action
Fan will not turn on	• Power off	• Make sure the power supply is on
	• Faulty switch	• Test or replace the switch
	• Faulty wire connection	• Check wire in the switch box

Care and Cleaning

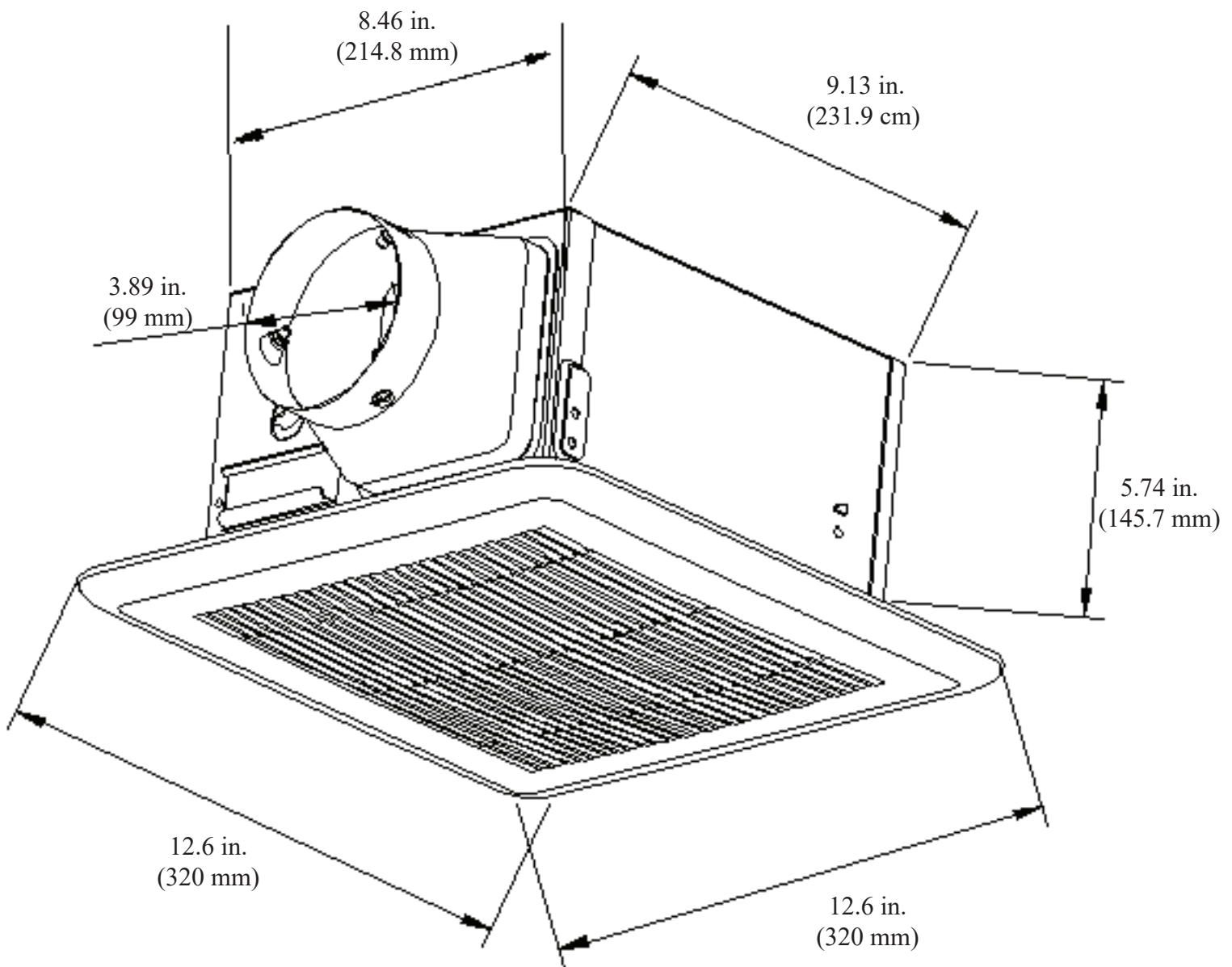


WARNING Unplug or disconnect the appliance from the power supply before servicing.

- To reduce the risk of fire, electric shock, or injury to persons before servicing or cleaning the unit, disconnect and lock the power supply at the panel to prevent the power from being turned on.
- Before servicing or cleaning the unit, disconnect and lock the power supply at the panel to prevent the power from being turned on.
- Remove the grill by squeezing the springs and pulling down.
- Wash and clean the grill in a sink and dry with a cloth.
- Remove dust and dirt from the fan housing with a vacuum cleaner.
- Dampen cloth with dish detergent, wipe the fan housing and dry with a cloth.
- Replace the grill.

Specifications

Exhaust diameter mm (inch)	Voltage (V)	Rate (Hz)	Power (W)	Rotate speed (RPM)	Weight Kg. (lb.)	Noise (sones)
100 (4)	120	60	24	920	4.1 (9)	1.0



Please register your product warranty by visiting the Ancona Home website.



Canada & USA

Phone: 1-800-350-4562

Fax: 800-350-8563

Email: service@anconahome.com

Website: www.anconahome.com



MAAN4807-01

© 2017 Copyright of Ancona Home. All rights reserved. This material may not be reproduced, displayed, modified or distributed.