



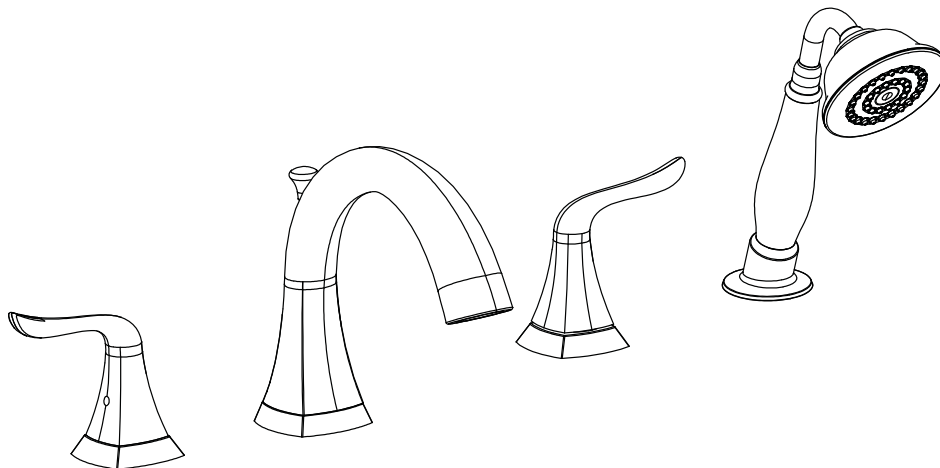
# Scarlett



Two Handle Roman Tub Bathroom Faucet

### STANDARDS

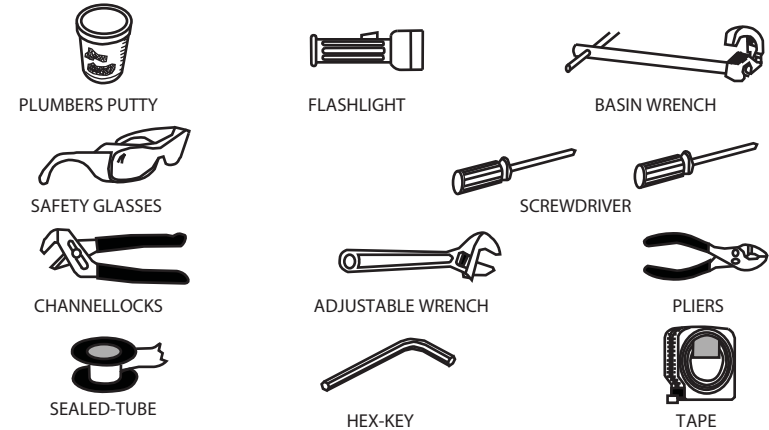
- ASME A112.18.1/CSA B125.1
- ASME A112.18.2/CSA B125.2
- LISTED IAPMO/cUPC
  
- **1.8 gpm/6.8 L/min**



## Helpful Information

### Tools:

Gather the necessary tools as shown below to complete the installation of this faucet. Some may not be needed depending on the model of faucet you are installing. Check with your local hardware store on the requirements of your installation situation.



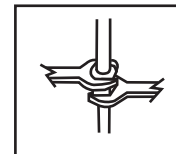
**!** WARNING:  
Please keep the tools for future use!

### Attention:

For easy installation, you will need:

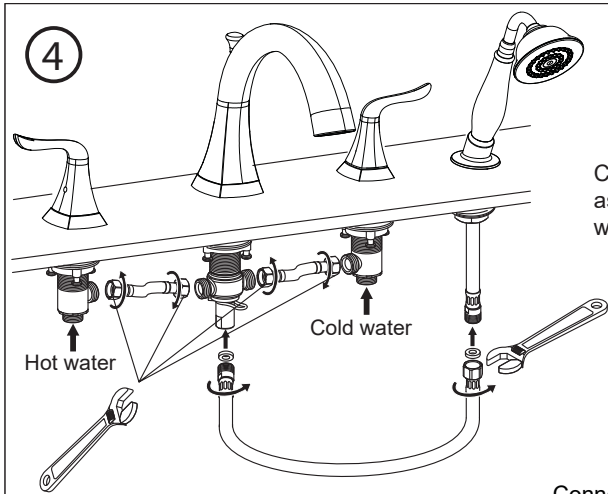
- To read all the installation instructions completely before beginning.
- To read all the warning, attention and maintenance information.
- To purchase the proper supply lines.

### Important

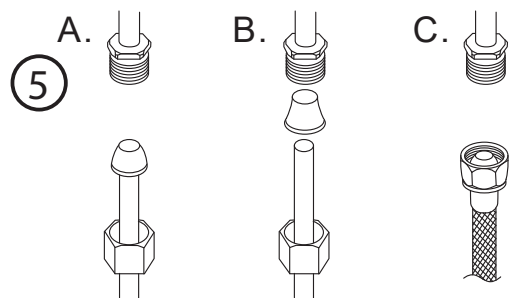


Tighten connection with two wrenches to prevent damage to tube body. Be careful not to bend the stem as this will void the product warranty.





Connect the parts with supply lines as shown and tighten them with wrench.

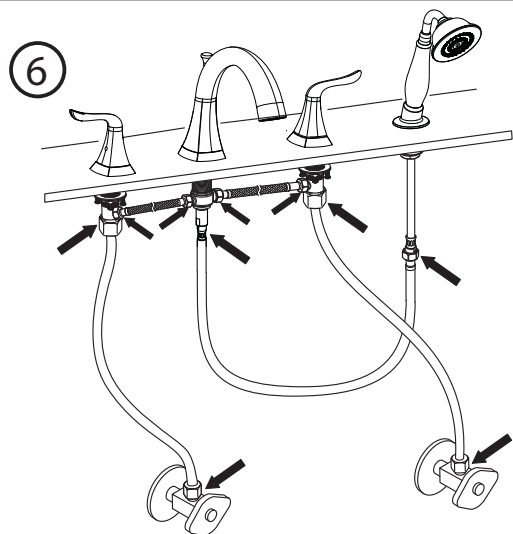


Connect to water supply lines with either:  
 (A) 3/8" O.D.copper tubing (ball nose risers with the coupling nuts or;  
 (B) 3/8" copper tubing (no ball)with supplied tube head interior connector or;  
 (C) IPS faucet connectors (1/2").



Warning: The supply valves are not included, please purchase them at your local hardware store.

## Checking and Testing



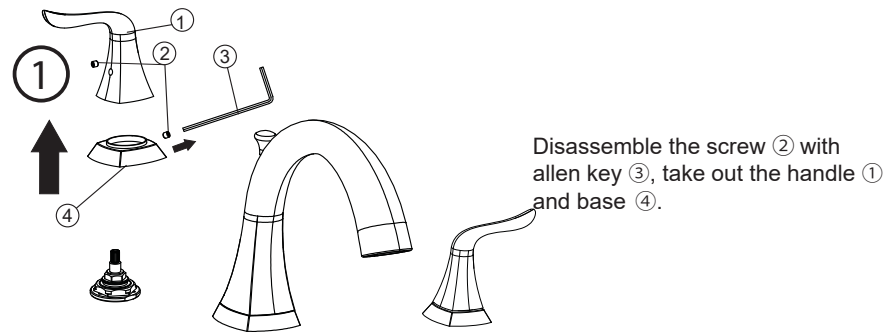
Check all connections at arrows for leaks, retighten if necessary.



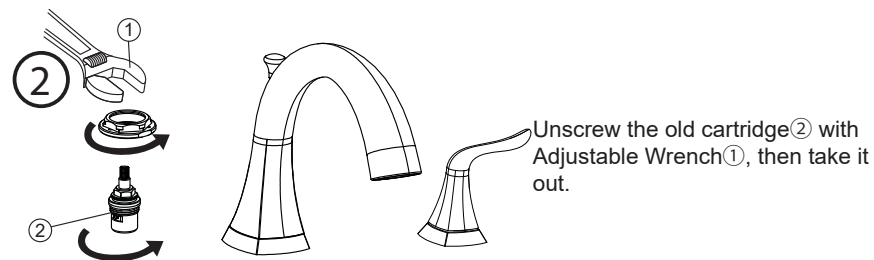
**BUT DON'T OVERTIGHTEN**

## Maintenance

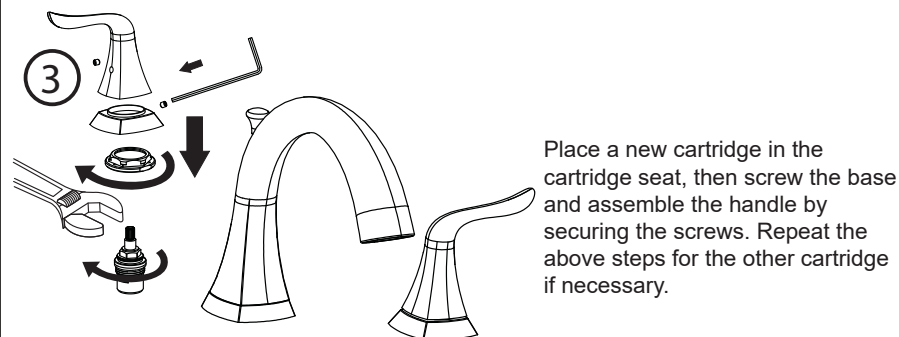
If faucet leaks from the handle or drips from spout, please replace cartridge following the steps:



Disassemble the screw ② with allen key ③, take out the handle ① and base ④.



Unscrew the old cartridge ② with Adjustable Wrench ①, then take it out.



Place a new cartridge in the cartridge seat, then screw the base and assemble the handle by securing the screws. Repeat the above steps for the other cartridge if necessary.

### Maintenance:

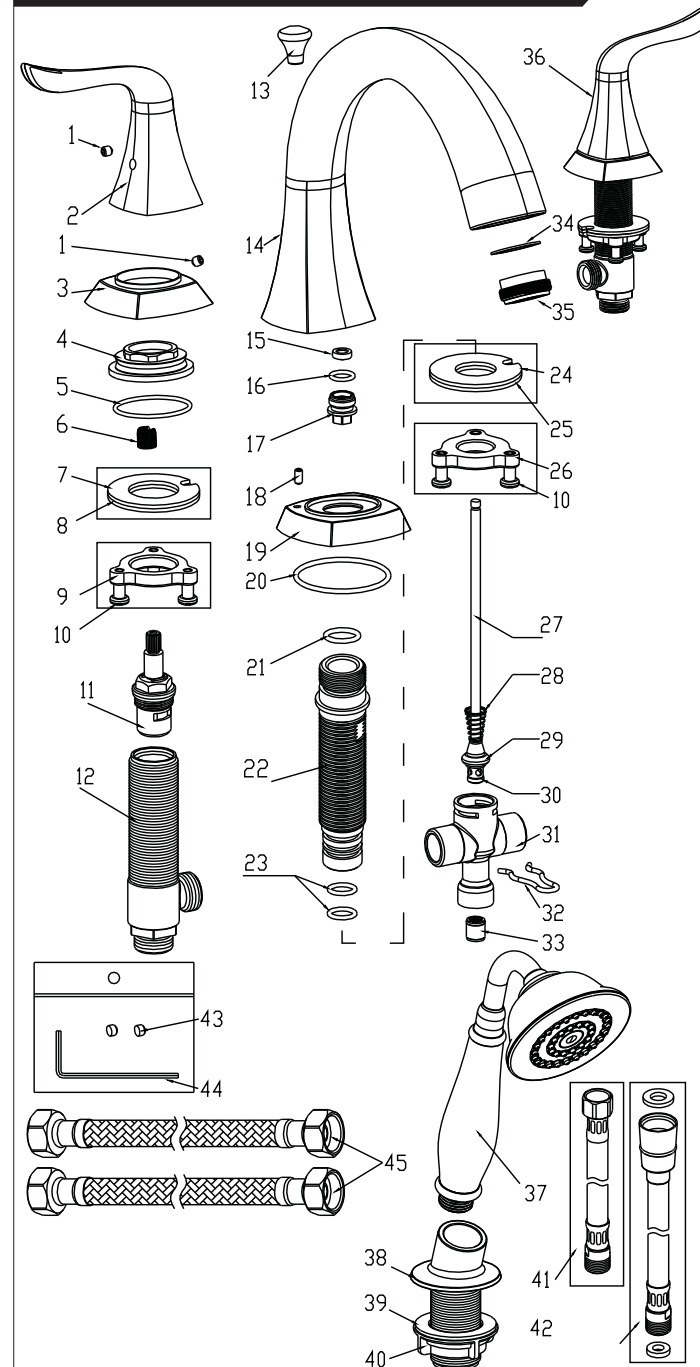
Simply rinse the surface with clear water or mild liquid detergents (if necessary). Dry the faucet with a clean soft cotton cloth. Do not use any cleaning agents containing acids polish abrasives or harsh cleaners.

## Cleaning and care

Daily cleaning and care are required in order to keep the product shining and working properly.

1. Clean it with water and dry it with soft cloth.
2. Clean the product with gentle liquid or glass cleaner.
3. Don't use acid cleaner.
4. Don't clean with abrasive material, abrasive paper or knife.

## Parts list



NO.	PART NAME
1	Screw
2	Handle
3	Handle base
4	Screw nut
5	O-ring
6	Handle spline
7	Washer
8	Gasket
9	Screw nut
10	Screw
11	Cartridge
12	Inlet tube
13	Lift rod bail
14	Spout body
15	O-ring
16	O-ring
17	Lift rod base
18	Screw
19	Spout base
20	O-ring
21	O-ring
22	Overflow pipe
23	O-ring
24	Washer
25	Gasket
26	Screw nut
27	Lift rod
28	Diverter spring
29	Connector
30	Diverter core
31	Diverter
32	Diverter clamp spring
33	Single valve
34	Washer
35	Spout
36	Cartridge
37	Shower
38	Shower base
39	Washer
40	Screw nut
41	Supply line
42	Pull out hose
43	Screw button
44	Allen key
45	Supply line