



Arezzo

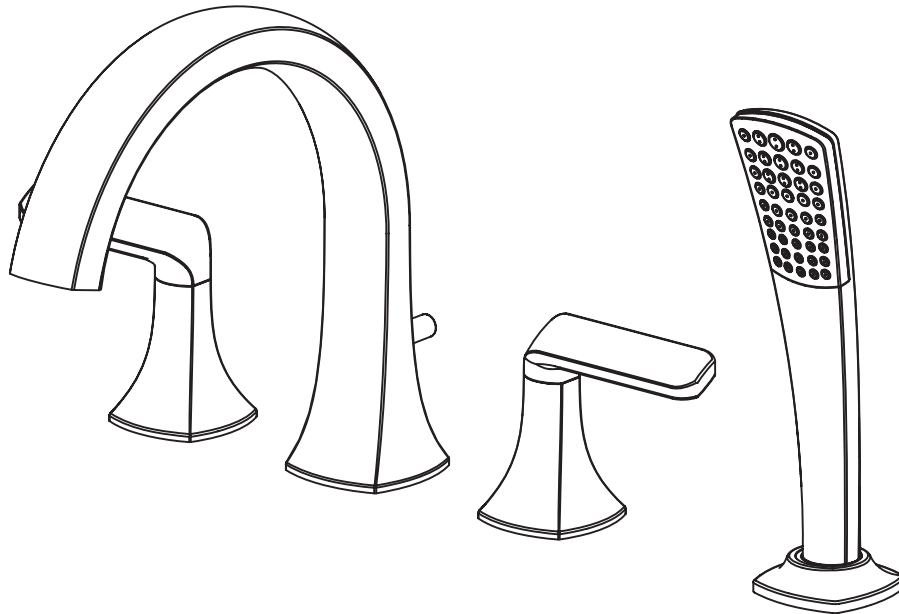


Two Handle Roman Tub Bathroom Faucet

STANDARDS

- ASME A112.18.1/CSA B125.1
- ASME A112.18.2/CSA B125.2
- LISTED IAPMO/cUPC

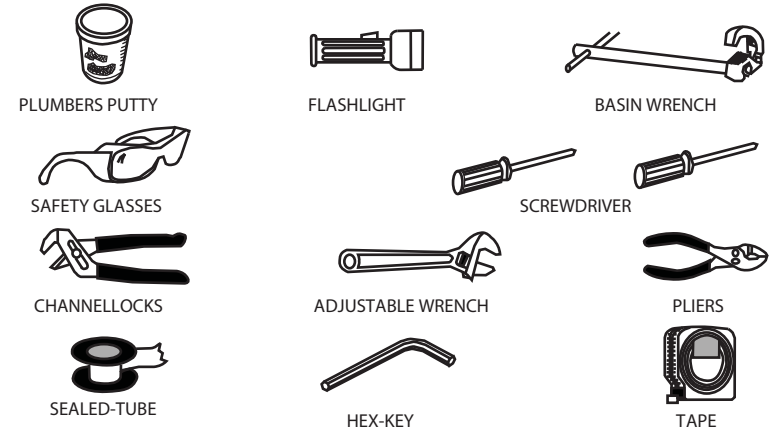
- 1.8 gpm/6.8 L/min



Helpful Information

Tools:

Gather the necessary tools as shown below to complete the installation of this faucet. Some may not be needed depending on the model of faucet you are installing. Check with your local hardware store on the requirements of your installation situation.

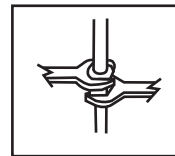


! WARNING:
Please keep the tools for future use!

Attention:

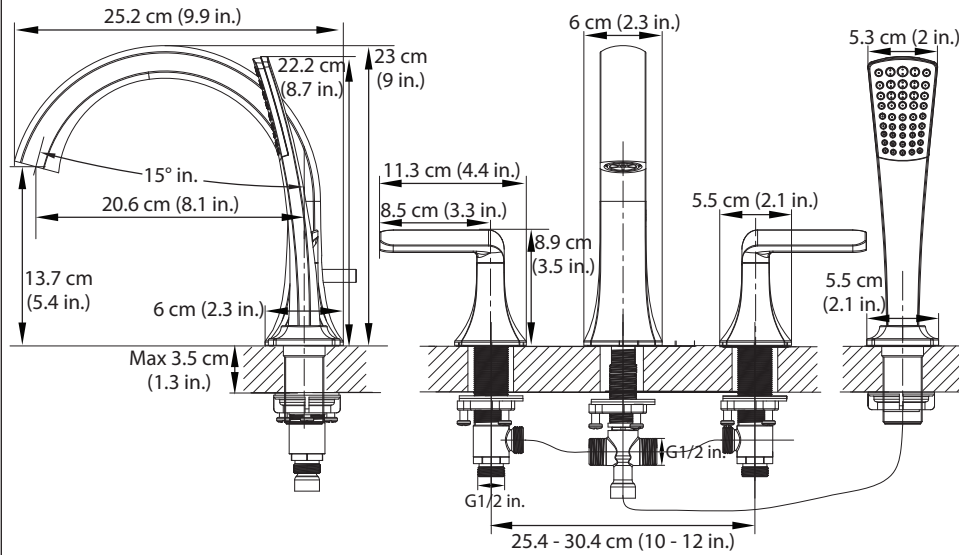
- For easy installation, you will need:
- To read all the installation instructions completely before beginning.
 - To read all the warning, attention and maintenance information.
 - To purchase the proper supply lines.

Important

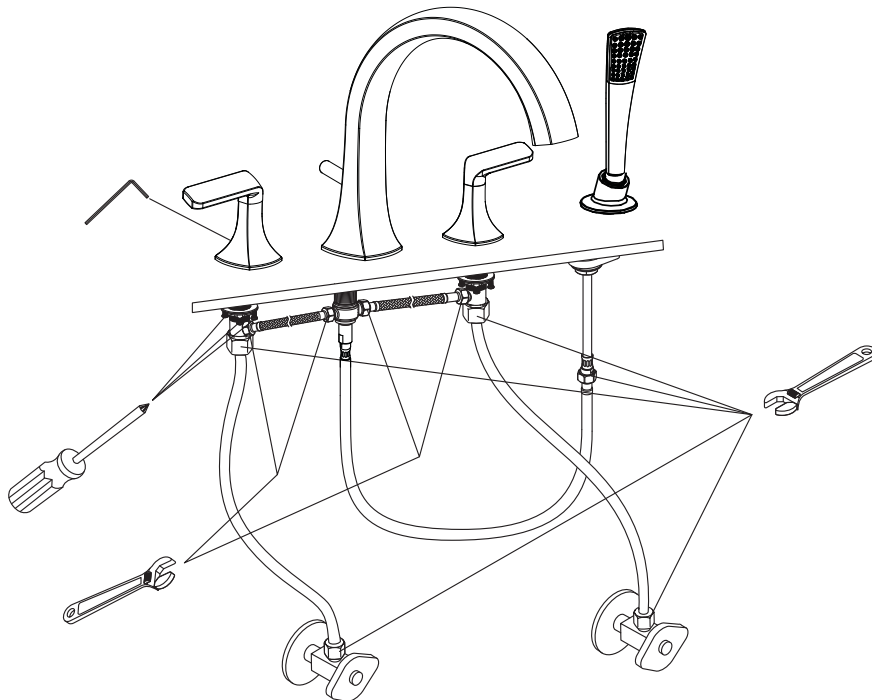


Tighten connection with two wrenches to prevent damage to tube body. Be careful not to bend the stem as this will void the product warranty.

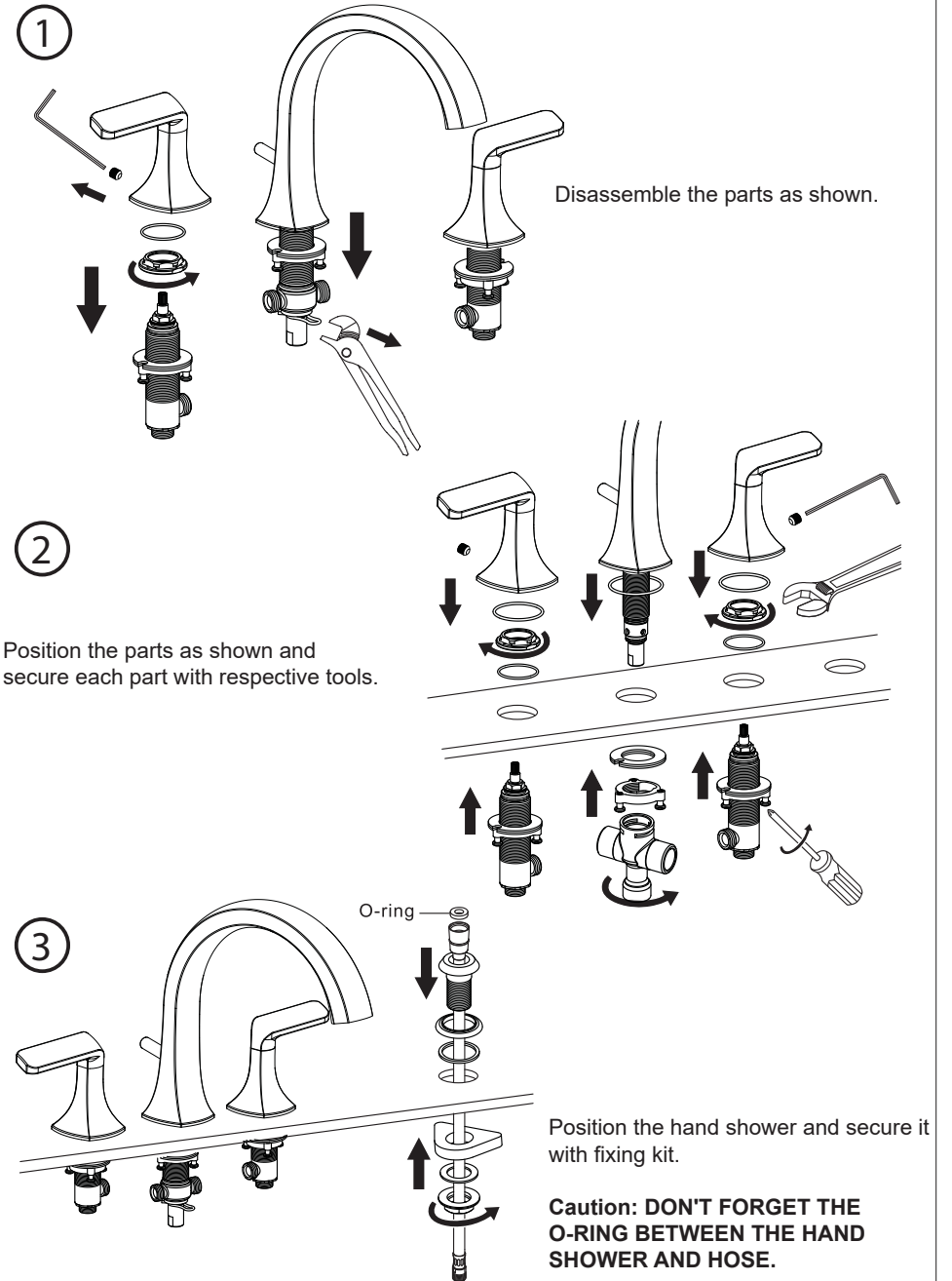
Installation size map

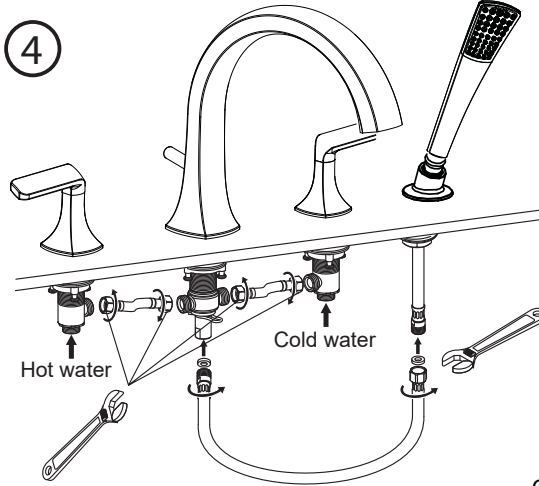


Tools might be applied to the following places:



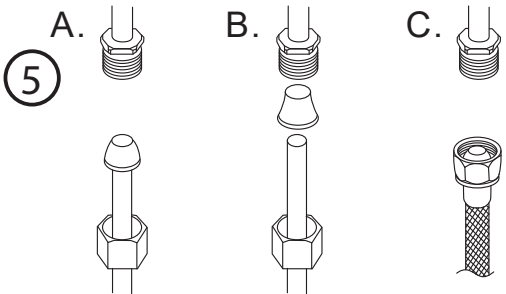
Faucet Installation





4

Connect the parts with supply lines as shown and tighten them with wrench.



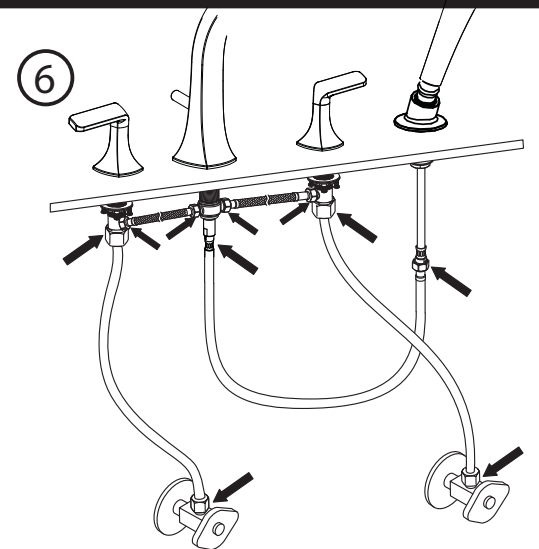
5

Connect to water supply lines with either:
 (A) 3/8" O.D.copper tubing (ball nose risers with the coupling nuts or;
 (B) 3/8" copper tubing (no ball)with supplied tube head interior connector or;
 (C) IPS faucet connectors (1/2").



Warning: The supply valves are not included, please purchase them at your local hardware store.

Checking and Testing



6

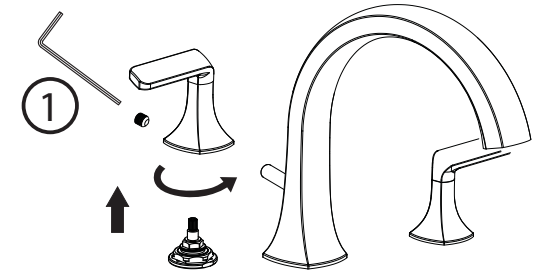
Check all connections at arrows for leaks, retighten if necessary.



BUT DON'T OVERTIGHTEN

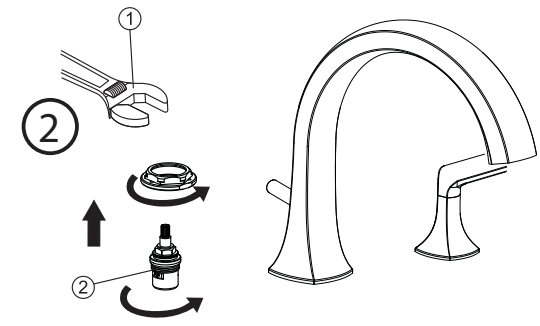
Maintenance

If faucet leaks from the handle or drips from spout, please replace cartridge following the steps:



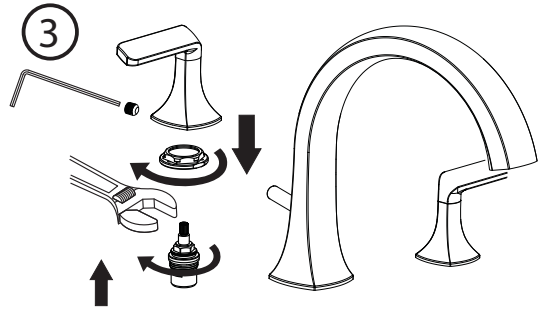
1

Remove the handle counter clockwise, as shown.



2

Unscrew the old cartridge with Adjustable Wrench, then take it out.



3

Place a new cartridge in the cartridge seat, then screw the base and assemble the handle by securing the screws. Repeat the above steps for the other cartridge if necessary.

Maintenance:

Simply rinse the surface with clear water or mild liquid detergents (if necessary). Dry the faucet with a clean soft cotton cloth. Do not use any cleaning agents containing acids polish abrasives or harsh cleaners.

Cleaning and care

Daily cleaning and care are required in order to keep the product shining and working properly.

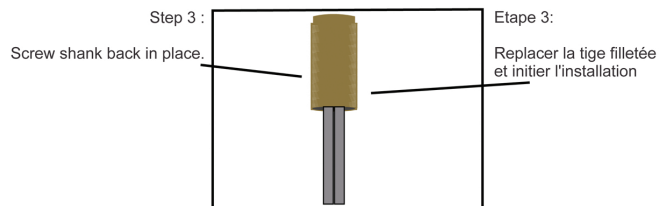
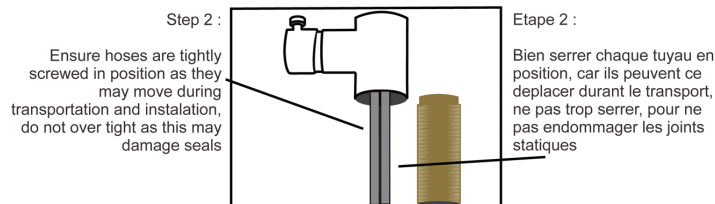
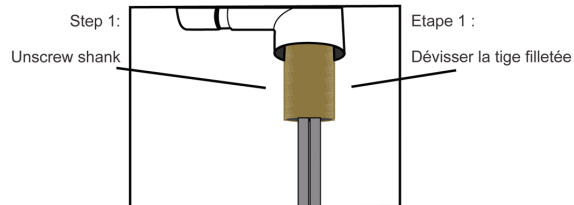
1. Clean it with water and dry it with soft cloth.
2. Clean the product with gentle liquid or glass cleaner.
3. Don't use acid cleaner.
4. Don't clean with abrasive material, abrasive paper or knife.

⚠ WARNING

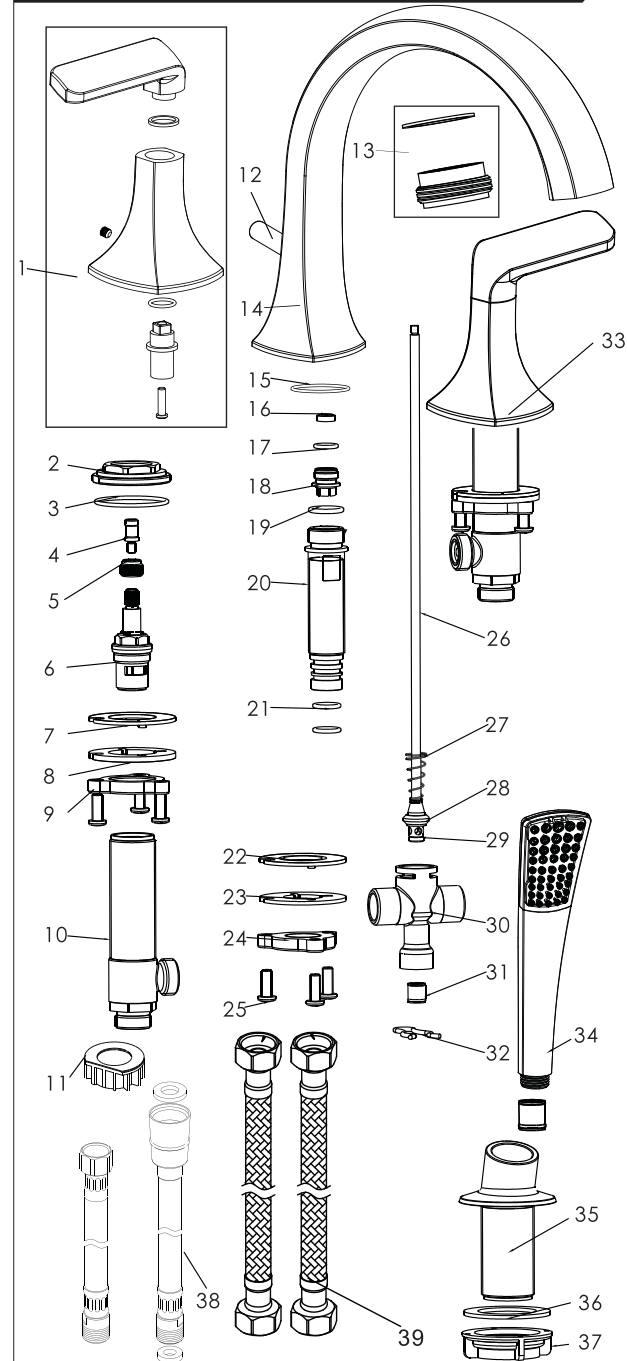
Ensure hoses are tightly screwed in position as they may move during transportation and installation.

⚠ ATTENTION

Assurez-vous de bien serrer les embouts de chaque Tuyau car ils peuvent se dévisser lors du transport – bien valider après l'installation aussi



Parts list



NO.	PART NAME
1	Handle
2	Lock nut
3	O-ring
4	Screw
5	Adapter
6	Cartridge
7	Rubber Washer
8	Metal Washer
9	Lock Nut
10	Brass Valve Body
11	Plastic Base
12	Knob
13	Aerator
14	Spout
15	O-ring
16	Sealing Washer
17	O-ring
18	Adapter
19	O-ring
20	Diverter Tube
21	O-ring
22	Rubber Washer
23	Metal Washer
24	Lock Nut
25	Screw
26	Lift Rod
27	Diverter Spring
28	Diverter Core
29	Washer
30	Brass Valve Body
31	Check Valve
32	Clip
33	Cartridge
34	Shower
35	Shower Seat
36	Washer
37	Lock Nut
38	Pull-out Hose
39	Connect Hose