



Isla

- Single Hole Bathroom Faucet

- **STANDARDS**

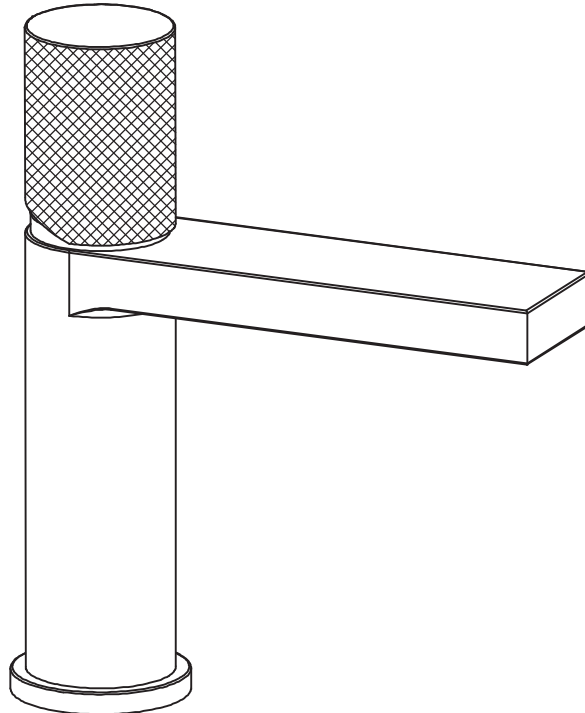
ASME A112.18.1-2012

CSA B125.1-12

NSF 61-9

LISTED IAPMO/cUPC

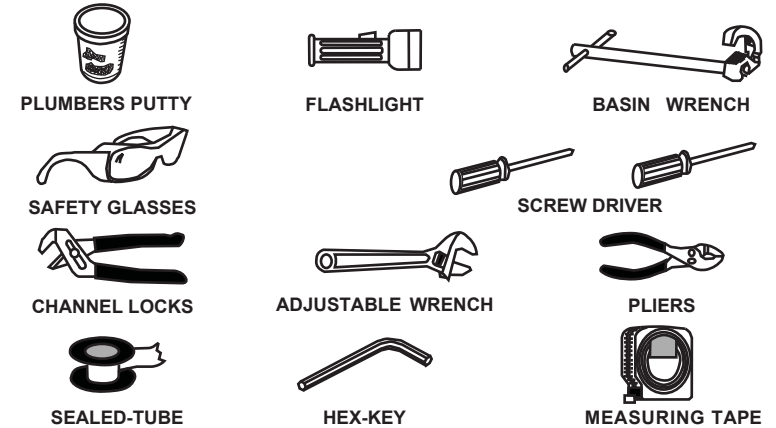
- 1.2 gpm/4.5 L/min



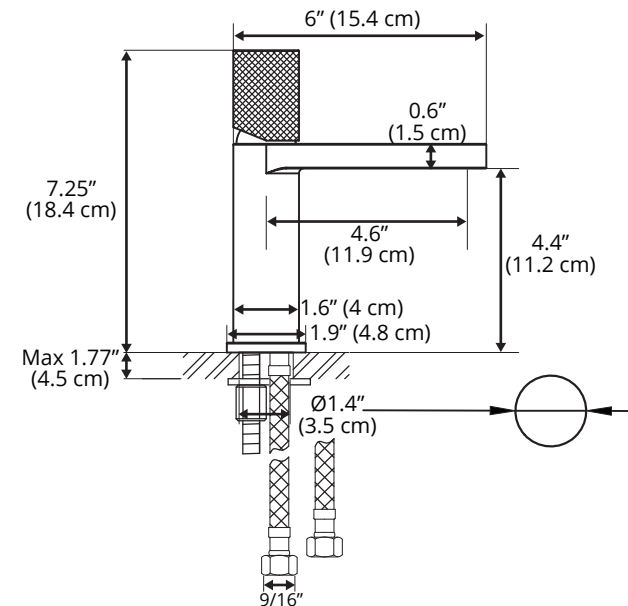
Helpful Information

Tools:

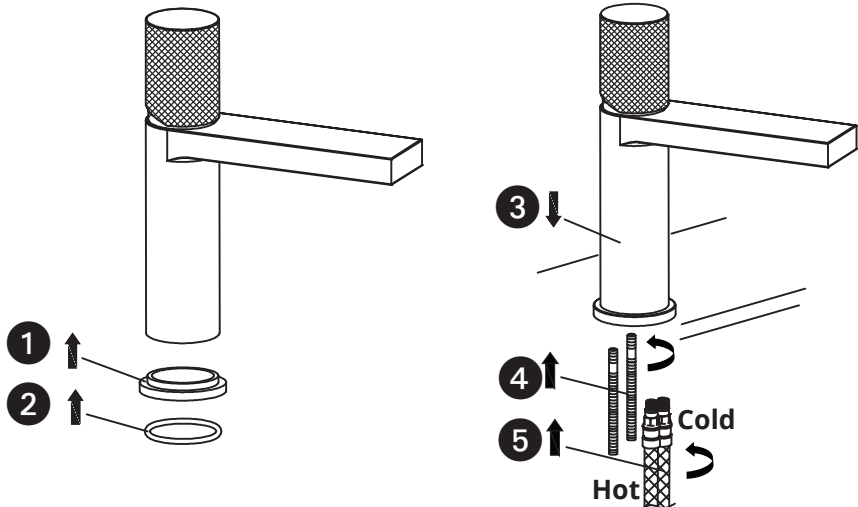
Before starting the installation of your faucet, gather the necessary tools (shown below). Some tools may not be needed depending on the model of your faucet. Check with your local hardware store to confirm the requirements for your faucet installation.



Installation Size Map

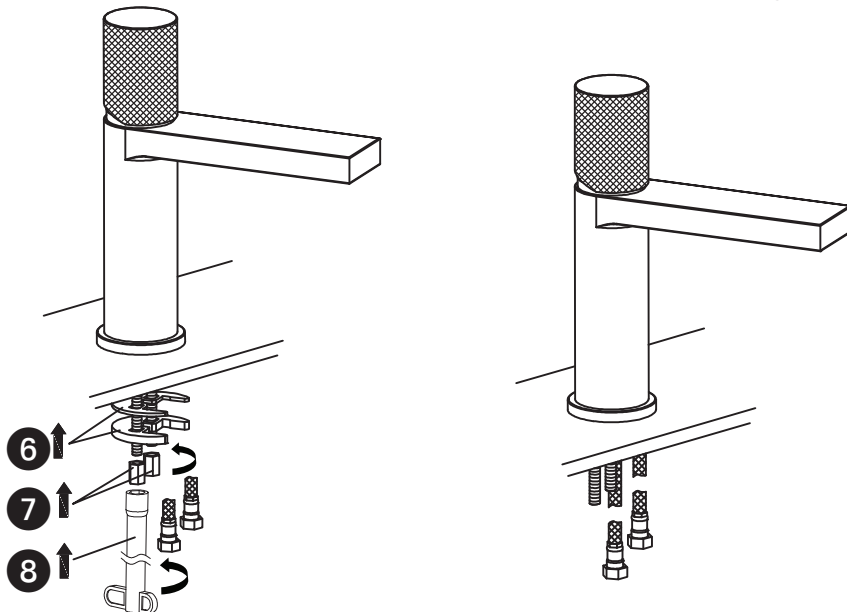


Installation



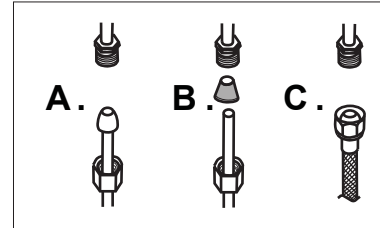
- Place the base (1) under the faucet and put the O-ring (2) in place.

- Place the faucet (3) on the deck and tighten the mounting poles (4) and the flexible hoses (5).



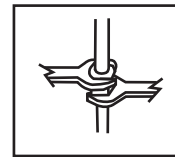
- Attach the mounting gasket and iron (6) with the hexagon nuts (7) using a wrench (8) to tighten the nuts.

Configuration



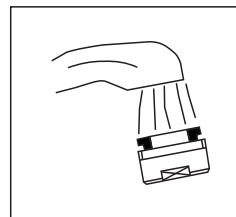
Connect to water supply lines with either:
 (A) 3/8" O.D. copper tubing (ball nose risers with the coupling nuts or;
 (B) 3/8" copper tubing (no ball) with supplied tube head interior connector or;
 (C) IPS faucet connectors (1/2")

Important



Tighten connection with two wrenches to prevent damage to tube body. Be careful not to bend the stem as this will void the product warranty.

Test Faucet Installation



- Move handle into "OFF" position.
- Turn on water supplies. Check connections for leaks.
- Remove aerator and let both hot and cold water run for one minute. This will help clean any debris that might otherwise clog the system. Replace aerator.
- Operate handle up and down, in cold and hot positions, to flush water lines thoroughly.

Maintenance:

Simply rinse the surface with clear water or mild liquid detergents (if necessary). Dry the faucet with a clean soft cotton cloth. Do not use any cleaning agents containing acids, polish abrasives, or harsh cleaners.