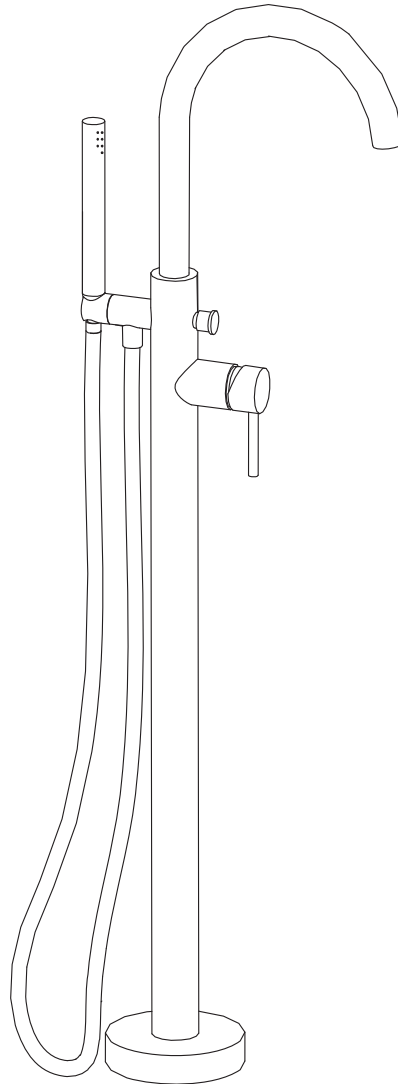




Nero Bathtub Faucet

- **STANDARDS**
ASME A112.18.1-2012
CSA B125.1-12
LISTED IAPMO/cUPC

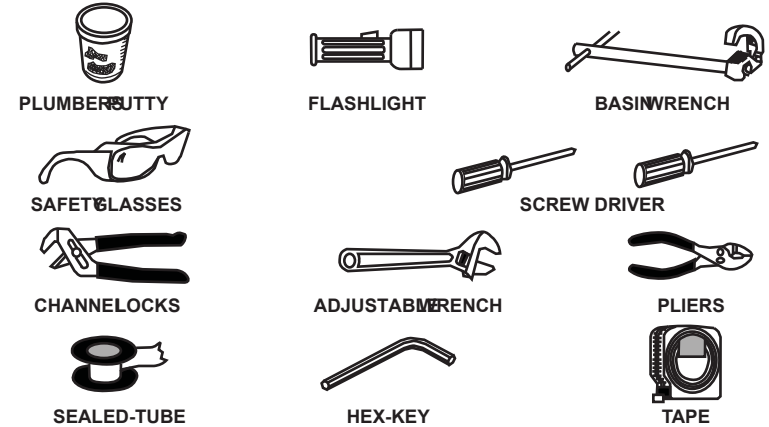
- 1.8 gpm/6.8 L/min



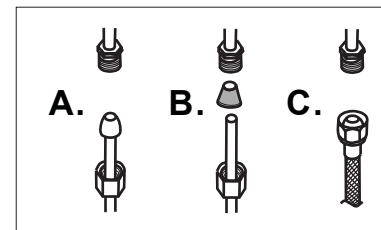
Helpful Information

Tools:

Gather the necessary tools as shown below to complete the installation of this faucet. Some may not be needed depending on the model of faucet you are installing. Check with your local hardware store on the requirements of your installation situation.

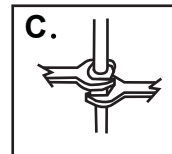


Configuration



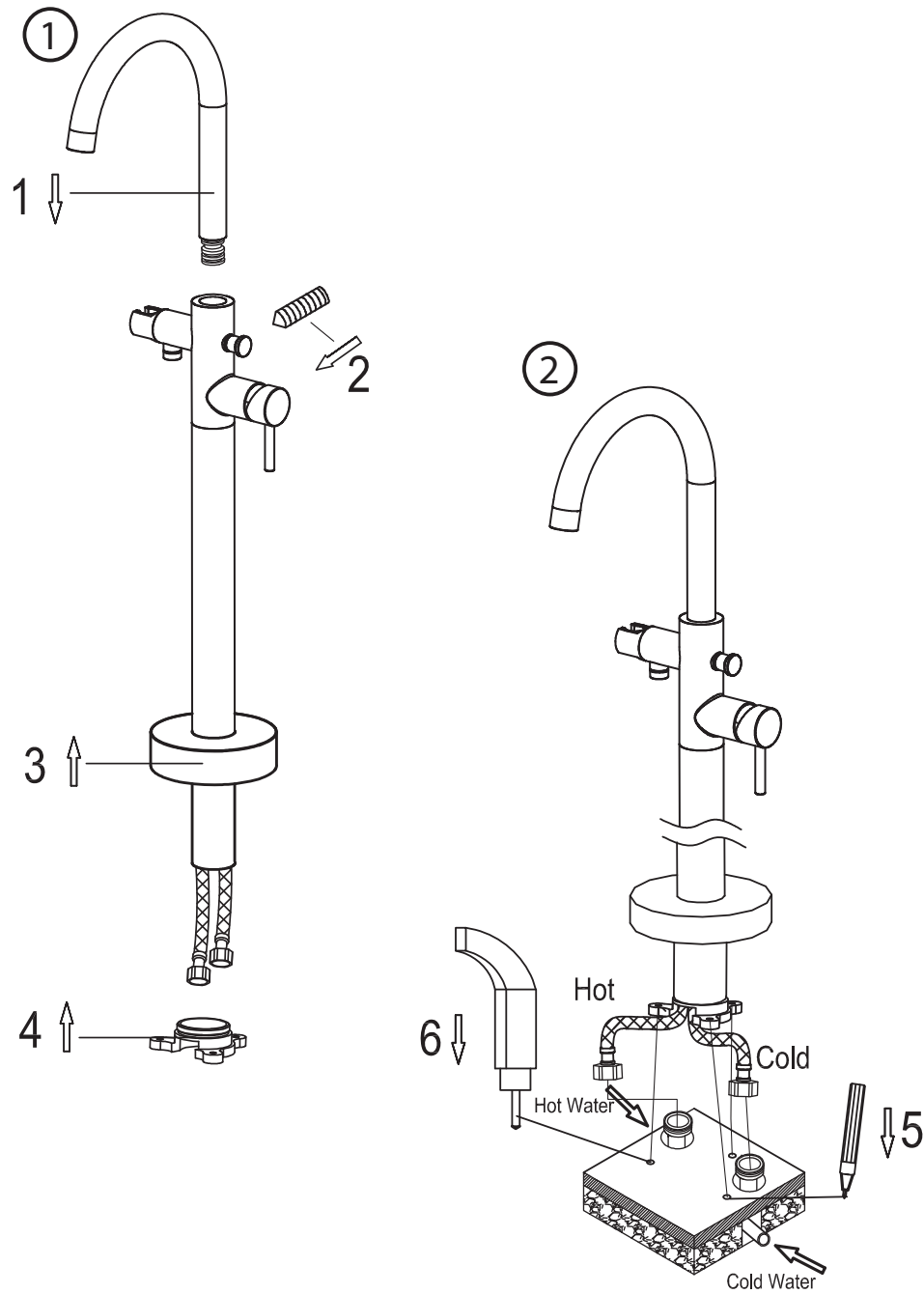
Connect to water supply lines with either:
(A) 3/8" O.D. copper tubing ball nose risers with the coupling nuts or;
(B) 3/8" copper tubing (no ball) with supplied tube head interior connector or;
(C) IPS faucet connectors (1/2")

Important

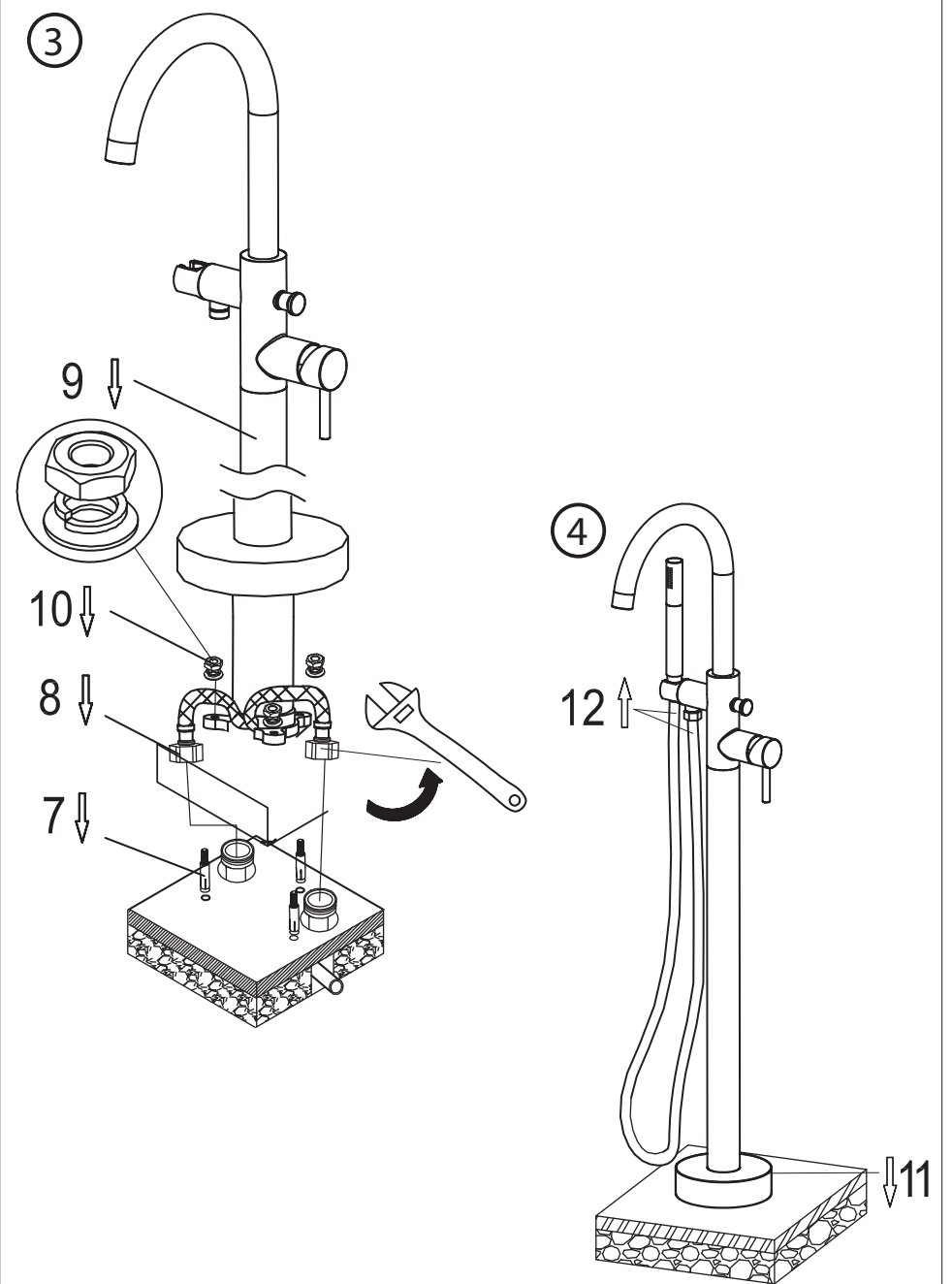


Tighten connection with two wrench to prevent damage to tube body. Be careful not to bend the stem as this will void the product warranty.

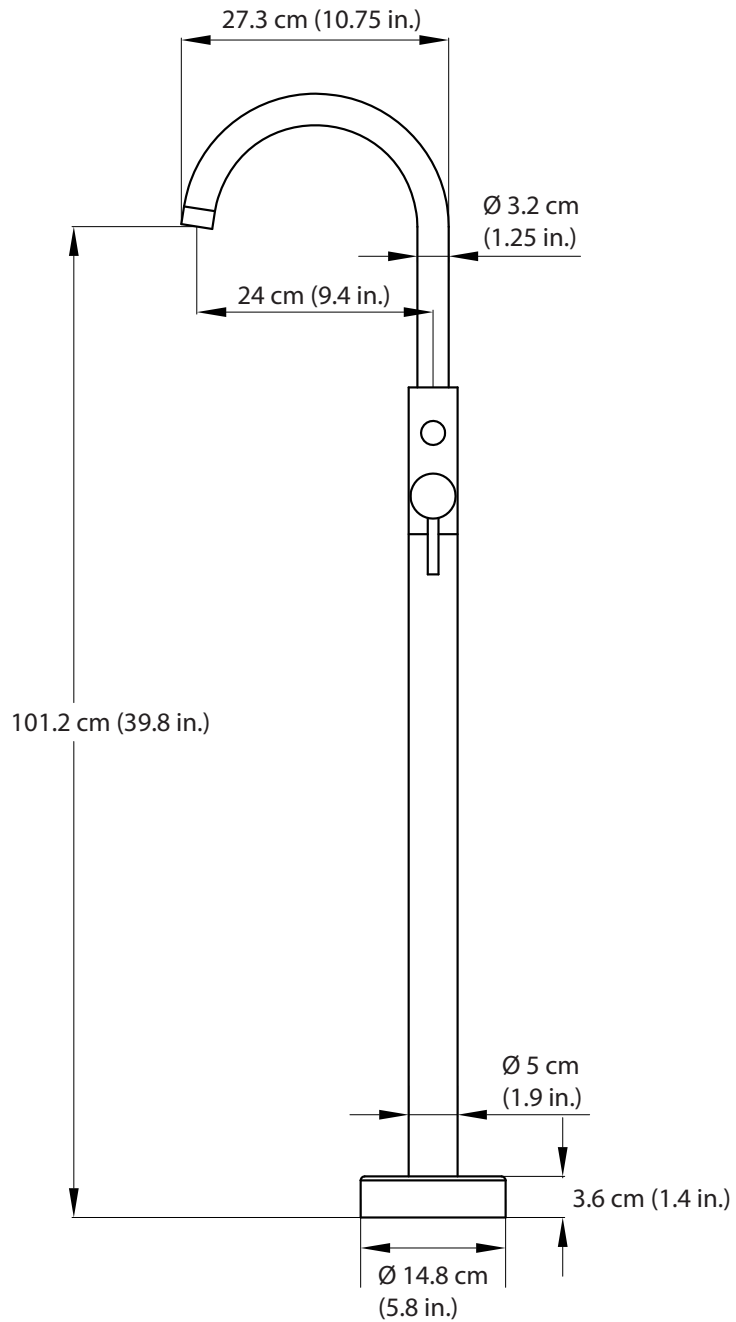
Installation Steps



Installation Steps



Installation Size Map



Installation Size Map

