

ANCONA

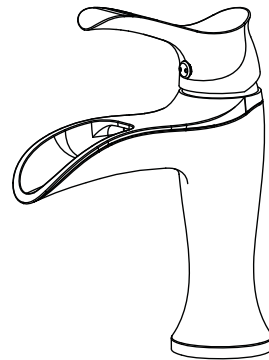
Eleganza



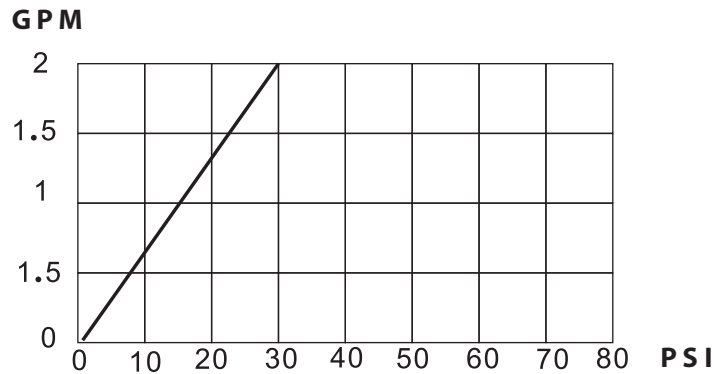
Single Handle Pull-out Bathroom Faucet

STANDARDS

- ASME A112.18.1/CSA B125.1
- ASME A112.18.2/CSA B125.2
- LISTED IAPMO/cUPC



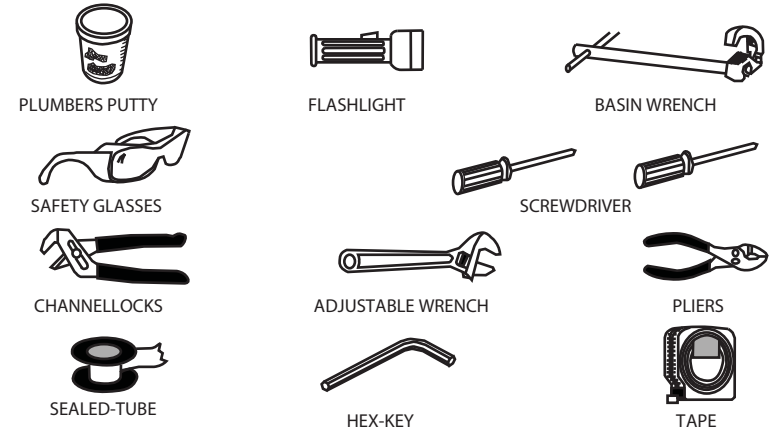
Flow Rate Chart



Helpful Information

Tools:

Gather the necessary tools as shown below to complete the installation of this faucet. Some may not be needed depending on the model of faucet you are installing. Check with your local hardware store on the requirements of your installation situation.



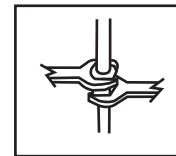
! WARNING:
Please keep the tools for future use!

Attention:

For easy installation, you will need:

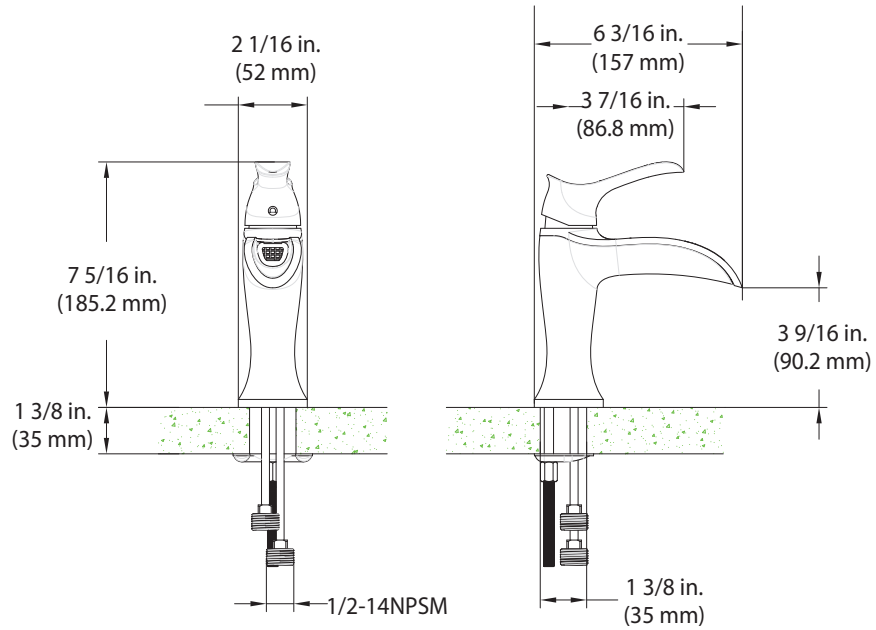
- To read all the installation instructions completely before beginning.
- To read all the warning, attention and maintenance information.
- To purchase the proper supply lines.

Important

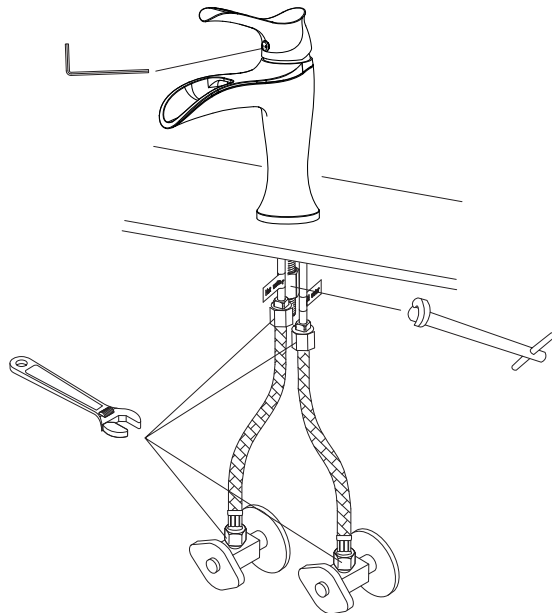


Tighten connection with two wrench to prevent damage to tube body. Be careful not to bend the stem as this will void the product warranty.

Installation size map

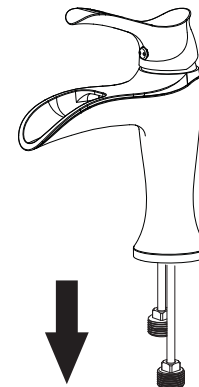


Tools might be applied to the following places:



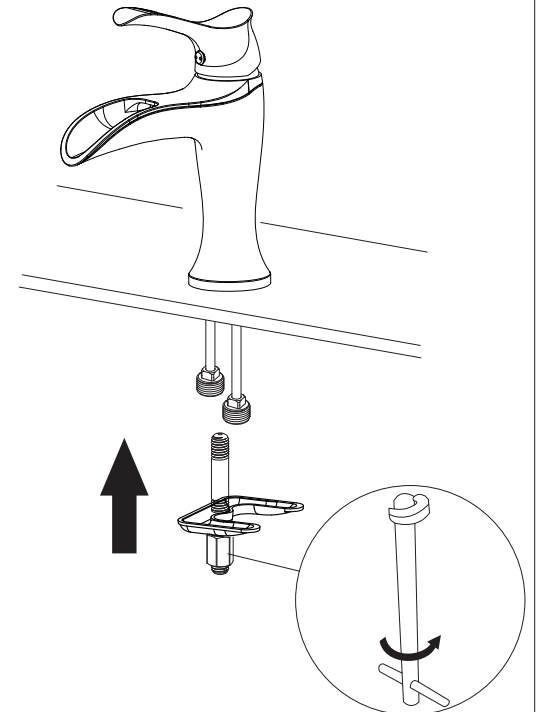
Faucet Installation

①



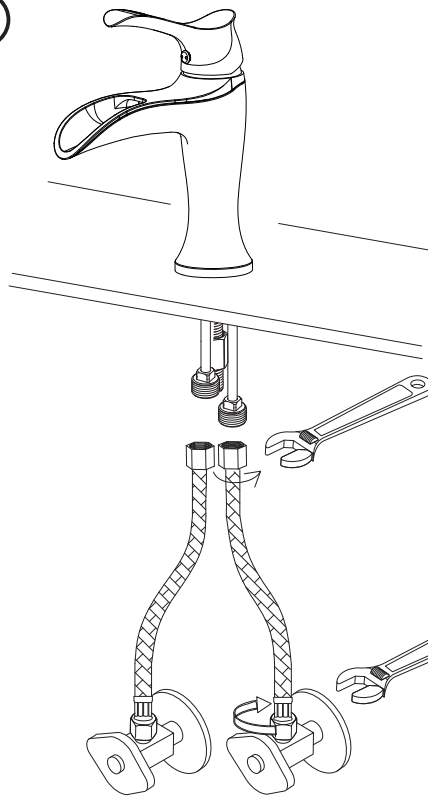
Position the faucet, o-ring on the installation surface.

②



Adjust the position of the faucet and secure it with the fixing kit as shown.

3



Connect the flexible hoses to water supply valves (not included) and copper tubes, and tighten it with adjustable wrench. **DON'T OVER TIGHTEN!**

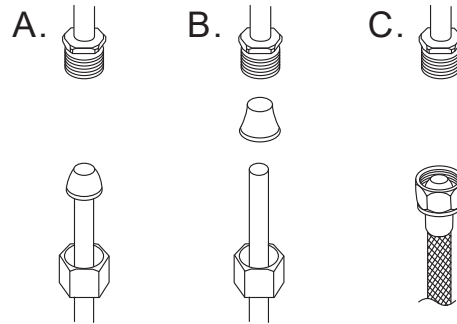
Caution: make sure the hot and cold flexible hose are connected to supply valves correctly.



Warning: The supply valves are not included, please purchase them at your local hardware store.

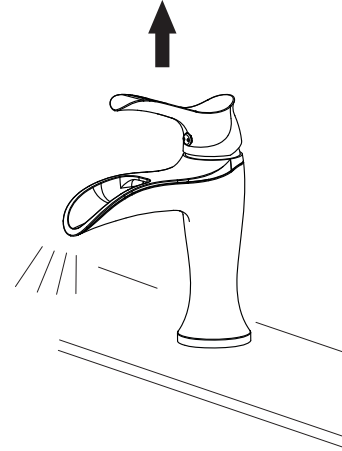
4

Connect to water supply lines with either:
 (A) 3/8" O.D.copper tubing (ball nose risers with the coupling nuts or;
 (B) 3/8" copper tubing (no ball)with supplied tube head interior connector or;
 (C) IPS faucet connectors (1/2") .



Checking and Testing

5



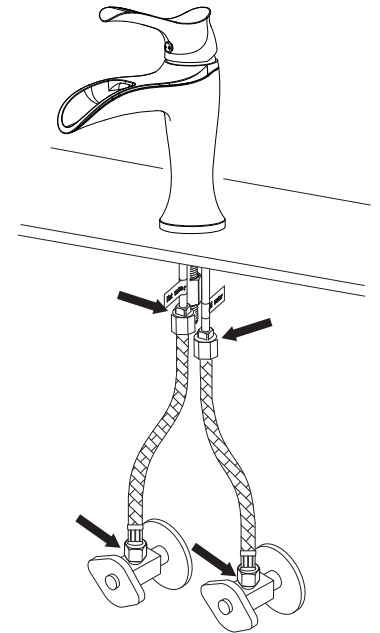
Remove the aerator by hand. Turn the faucet handle all the way on, turn on hot and cold water supply and flush water lines for one minute.

6

Check all connections at arrows for leaks, retighten if necessary.



BUT DON'T OVERTIGHTEN



Maintenance:

Simply rinse the surface with clear water or mild liquid detergents (if necessary). Dry the faucet with a clean soft cotton cloth. Do not use any cleaning agents containing acids polish abrasives or harsh cleaners.

Cleaning and care

Daily cleaning and care are required in order to keep the product shining and working properly.

1. Clean it with water and dry it with soft cloth.
2. Clean the product with gentle liquid or glass cleaner.
3. Don't use acid cleaner.
4. Don't clean with abrasive material, abrasive paper or knife.

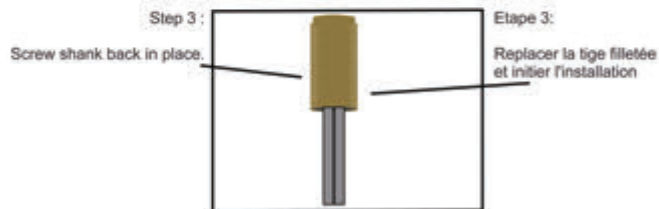
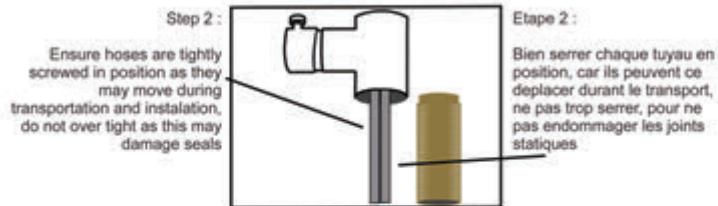
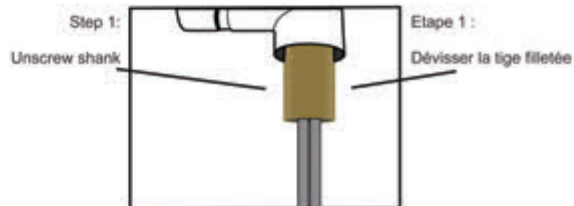
ANGONA

⚠ WARNING

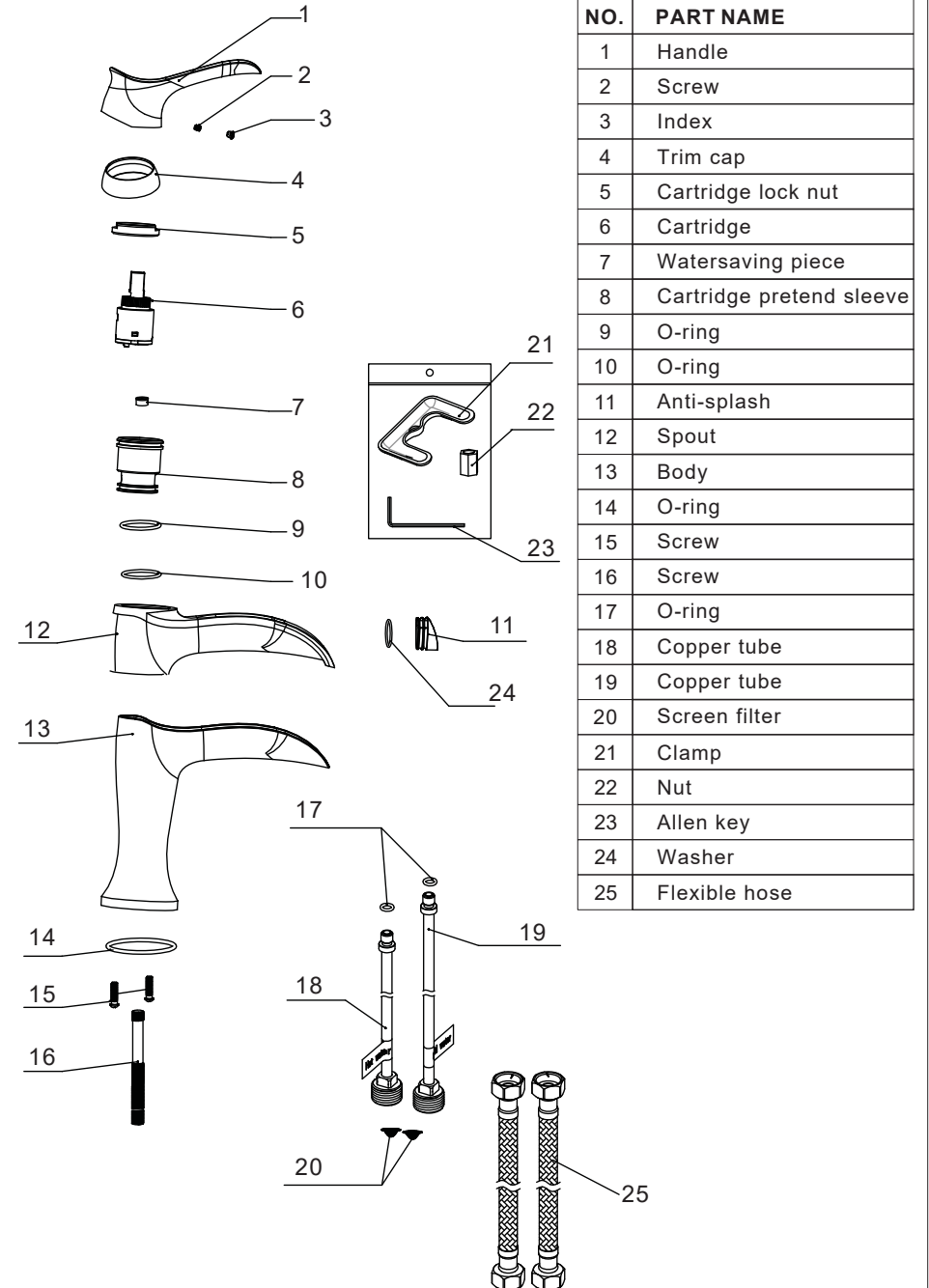
⚠ ATTENTION

Ensure hoses are tightly screwed in position as they may move during transportation and installation.

Assurez-vous de bien serrer les embouts de chaque Tuyau car ils peuvent se dévisser lors du transport – bien valider après l'installation aussi



Parts list



NO.	PART NAME
1	Handle
2	Screw
3	Index
4	Trim cap
5	Cartridge lock nut
6	Cartridge
7	Watersaving piece
8	Cartridge pretend sleeve
9	O-ring
10	O-ring
11	Anti-splash
12	Spout
13	Body
14	O-ring
15	Screw
16	Screw
17	O-ring
18	Copper tube
19	Copper tube
20	Screen filter
21	Clamp
22	Nut
23	Allen key
24	Washer
25	Flexible hose