



Aria

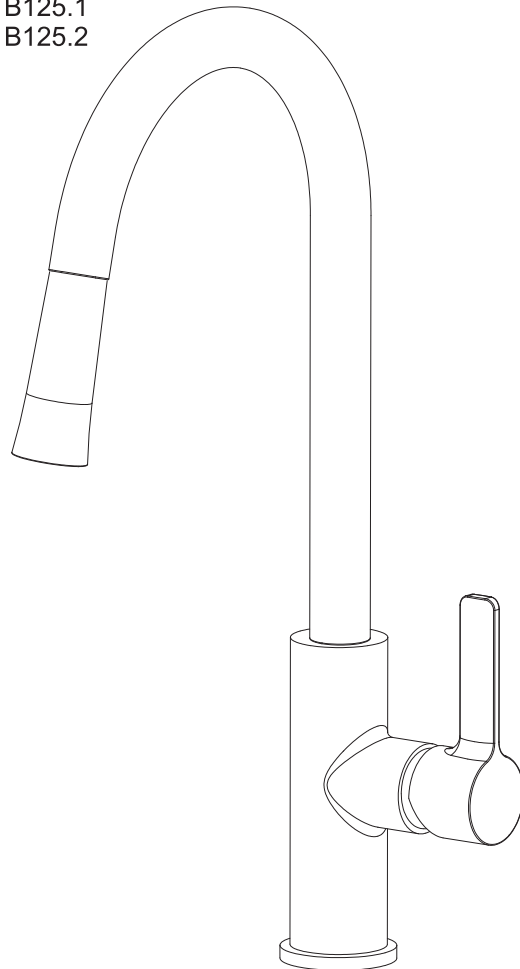


Single Handle Pull-out Kitchen Faucet

STANDARDS

- ASME A112.18.1/CSA B125.1
- ASME A112.18.2/CSA B125.2
- LISTED IAPMO/cUPC

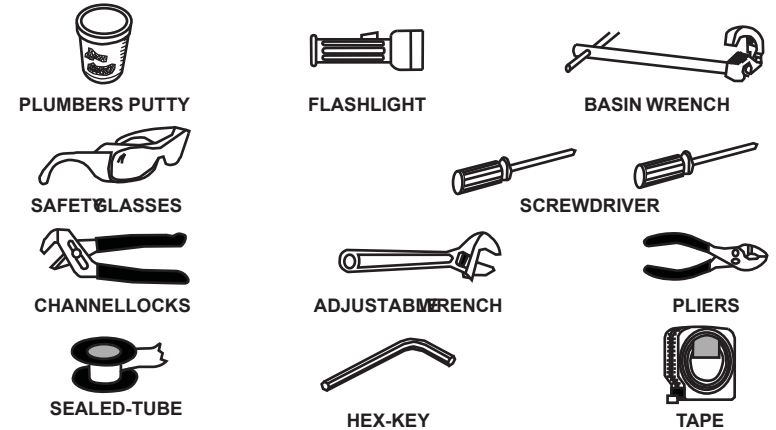
- 1.8 gpm/6.8 L/min



Helpful Information

Tools:

Gather the necessary tools as shown below to complete the installation of this faucet. Some may not be needed depending on the model of faucet you are installing. Check with your local hardware store on the requirements of your installation situation.



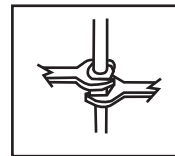
! WARNING:
Please keep the tools for future use!

Attention:

For easy installation, you will need:

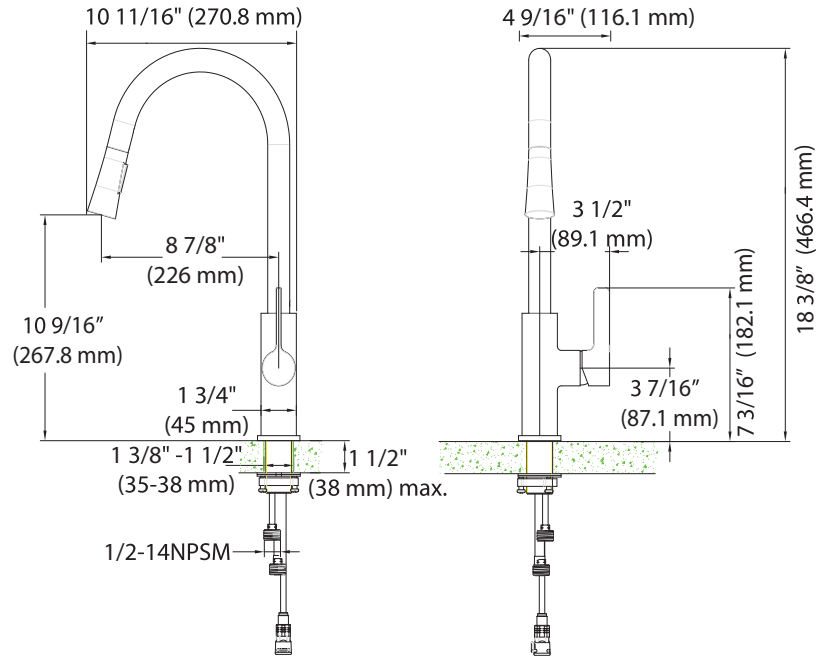
- To read all the installation instructions completely before beginning.
- To read all the warning, attention and maintenance information.
- To purchase the proper supply lines.

Important

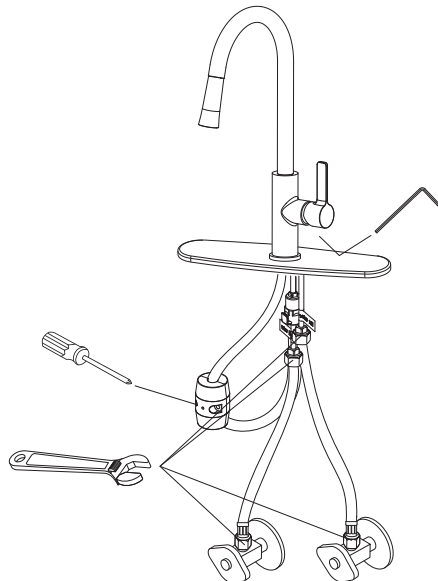


Tighten connection with two wrench to prevent damage to tube body. Be careful not to bend the stem as this will void the product warranty.

Installation size map

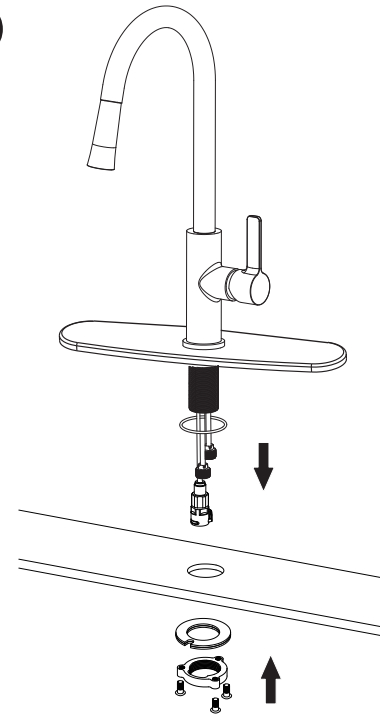


Tools might be applied to the following places:



Faucet Installation

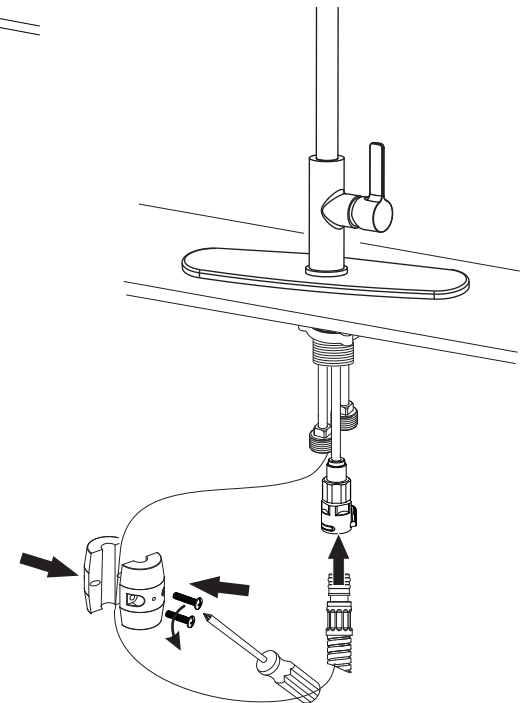
①



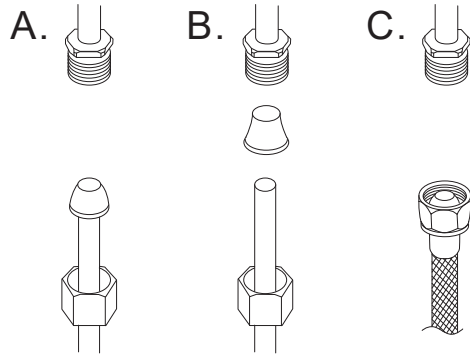
Position the faucet in order on the counter top as shown. **Don't forget the O-ring.** Assemble gasket assembly and lock nut to faucet threaded sleeve by hand and tighten the screws with screwdriver.

②

Connect the shower hose to quick connect. **CAUTION: MAKE SURE THE HOSE IS PROPERLY ENGAGED AND SECURED IN THE QUICK CONNECT.** Disassemble the weight and put it on the shower hose. Then fix screws with screwdriver.



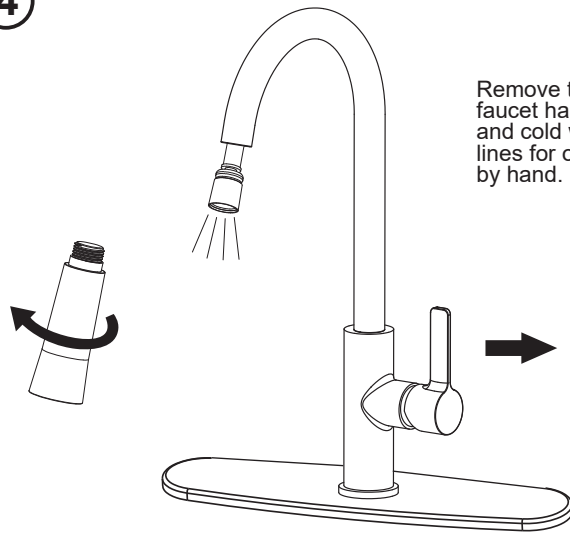
3



Connect to water supply lines with either:
 (A) 3/8" O.D. copper tubing (ball nose risers with the coupling nuts or;
 (B) 3/8" copper tubing (no ball) with supplied tube head interior connector or;
 (C) IPS faucet connectors (1/2").

Checking and Testing

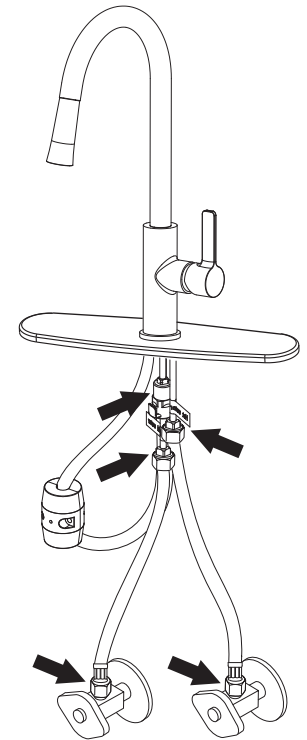
4



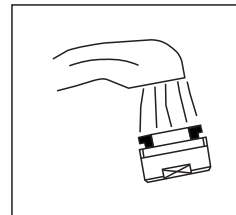
Remove the shower by hand. Turn the faucet handle all the way on, turn on hot and cold water supply and flush water lines for one minute. Reinstall shower by hand.

5

Check all connections at arrows for leaks and retighten if necessary. **BUT DON'T OVERTIGHTEN**



Test Faucet Installation



- A. Move handle into "OFF" position.
- B. Turn on water supplies. Check connections for leaks.
- C. Remove hand shower and let both hot and cold water run for one minute. This will help clean any debris that might otherwise clog the system. Replace hand shower.
- D. Operate handle up and down, in cold and hot positions, to flush water lines thoroughly.

Maintenance:

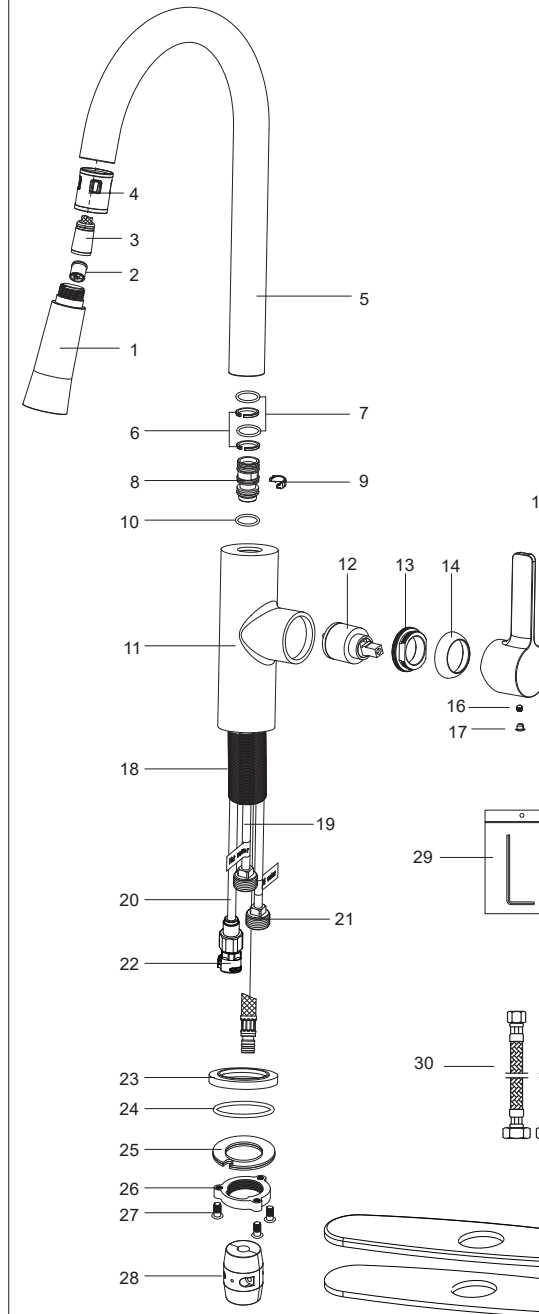
Simply rinse the surface with clear water or mild liquid detergents (if necessary) Dry the faucet with a clean soft cotton cloth. Do not use any cleaning agents containing acids, polish abrasives, or harsh cleaners.

Cleaning and care

Daily cleaning and care are required in order to keep the product shining and working properly.

1. Clean it with water and dry it with soft cloth.
2. Clean the product with gentle liquid or glass cleaner.
3. Don't use acid cleaner.
4. Don't clean with abrasive material, abrasive paper or knife.

Parts list



NO.	PART NAME
1	Shower
2	Check valve
3	Shower hose
4	Shower sleeve
5	Spout
6	Ring
7	O-ring
8	Connector
9	Retainer
10	O-ring
11	Body
12	Cartridge
13	Cartridge lock nut
14	Trim cap
15	Handle
16	Screw
17	Index
18	Threaded shark
19	Copper tube(hot water)
20	Copper tube
21	Copper tube(cold water)
22	Quick connect
23	Base
24	O-ring
25	Gasket assembly
26	Lock nut
27	Screw
28	Weight
29	Allen key
30	Flexible hose
31	Face plate
32	Washer