



## OWNER'S MANUAL

# INSTALLATION INSTRUCTIONS

## **General Recommendations:**

Read installation and maintenance instructions, thoroughly before installation.

Be sure to use proper tools and always wear personal safety accessories for your protection.

**Warning: The enclosed cut-out template is provided as a guide only and should be checked against actual sink to determine correct fit. Metal edges may be sharp. Use gloves when handling.**

## **Long-Life Care**

Ancona Stainless Steel Sinks are easy to keep looking new, longer with minimal care. For best results, always rinse with a mild soap and wipe after each use. Rub lightly with soft cloth in the direction of the grain line on a regular basis. To avoid damage and discoloration to the sink surface never use a steel wool or scouring pad.

## **Tools and Materials needed:**

- Tape Measure
- Pencil (NOT ink)
- Putty knife
- Scissors
- Adjustable wrenches
- Sealant drill and 1/2" (or larger) drill bits
- Silicone Adhesive Sealant Rags
- Denatured Alcohol
- Ear Protection
- Eye Protection
- Gloves
- Hacksaw/Jigsaw
- Mounting Clips (included)
- Cut-out template (included)

# TOP-MOUNT INSTALLATION

Please carefully read complete instructions before beginning installation.

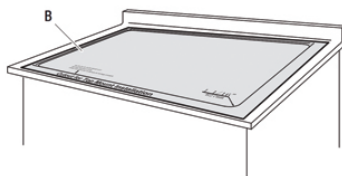
**Note:** These instructions are for installation with solid surface, composite material countertops. Ancona recommends professional countertop installers, customer is responsible for damage to the countertop or sink during installation.

1. Unpack the new sink and check the contents of the materials supplied: sink, mounting brackets, and cut-out template (depending on model).

2. Preparing the countertop:

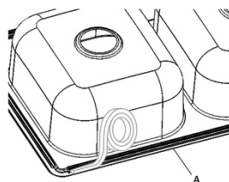
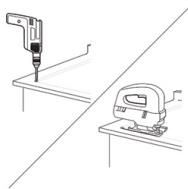
- Place the template (B) on the countertop. Ensure the template (B) is centered on the counter so that it is parallel to the counter edge and that the installation hole will not interfere with the structure of the cabinet.

- Tape the template (B) to the countertop to keep it in place and trace the outline on the countertop with a pencil.



3. Cutting the installation hole:

Drill a pilot hole and cut the countertop opening. Use the appropriate cutting tool for the surface you are cutting.



4. Preparing the sink:

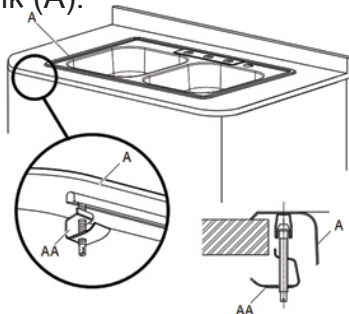
- Place the sink (A) into the installation hole to verify the fit. Adjust the cut-out if necessary.

- Place the sink (A) upside down and align the bottom edge with waterproofing strip.

# TOP-MOUNT INSTALLATION

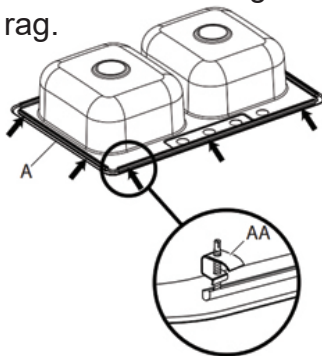
## 5. Attaching the mounting clips:

Attach the top-mount clips (AA) to the sink (A).



## 6. Installing the sink:

- Apply silicone sealant (not included) around the underside and lip of the sink (A).
- Carefully lower the sink (A) into the counter.
- Tighten the screws on the top-mount clips (AA) evenly until the sink (A) is flush with the counter. Do not over-tighten.
- Wipe excess sealant with a rag.



## 7. Connect drain and water supply according to manufactures instruction.

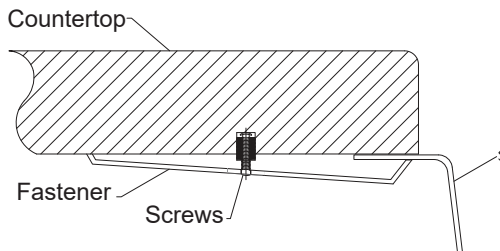
# UNDERMOUNT INSTALLATION

Please carefully read complete instructions before beginning installation.

**Note:** These instructions are for installation with solid surface, composite material countertops. Ancona recommends professional countertop installers, customer is responsible for damage to the countertop or sink during installation.

1. Unpack the new sink and check the contents of the materials supplied: sink, mounting brackets, and cut-out template (depending on model).
2. Position cut-out sink template as desired and trace it on the countertop.
3. Locate and drill the clearance hole inside the cut-out line.
4. Cut the countertop opening by carefully following the line traced from the template according to the countertop manufacturer's instructions.
5. Drill faucet holes and install faucet according to manufacturer's installation instruction.
6. Locate and drill the mounting holes (following the countertop manufacturer's instructions) as shown below.

Holes should allow even spacing of mounting bracket around the sink.



7. Fasten mounting clip to countertop loosely.

# UNDERMOUNT INSTALLATION

8. Clean underside of the countertop and around cut-out area, making sure area is smooth and free of defects.

9. Apply a bead of sealant to the rim of sink, near the inside edge. Be careful not to miss or skip any area.

10. Carefully lift sink squarely under counter top cut-out. Press firmly on sink to form seal and seat sink.

Using a damp cloth, immediately wipe any excess sealant from edge of sink.

Do not smear or spread any excess sealant on counter top or sink.

11. Turn all mounting bracket so they fit over sink rim. Check alignment of sink in cut out, adjust alignment as necessary. Tighten fasteners to secure sink.

12. Connect water supply lines to the faucet and complete the faucet installation. Connect drain assembly, hand tighten first to check alignment. Secure joint for water-tight assembly.

# CARE AND MAINTENANCE

## **ALWAYS:**

- Clean everyday by thoroughly rinsing with a mild soap and warm water and wipe dry. Some chemicals such as chlorides may corrode stainless steel, make sure you rinse the surface immediately.
  - Rub lightly with a soft cloth in the direction of grain lines on a regular basis for additional preventive cleaning.
  - Keep the sink free of any standing water as this can cause a buildup of mineral deposit, which can affect the appearance of your sink.
  - Any stubborn stains should be removed by scrubbing in the direction of the grain with a mild abrasive such as Comet.
  - Always rinse the sink after using any cleaning agent and wipe dry. Clean any mineral deposits built up over time with a mild solution of vinegar and water followed by a thorough flushing with water. Towel dry after each use to prevent mineral deposits from building up on the surface of the sink.
  - Remove any scratches with a Scotch-brite pad and cleaning agent rubbing in the direction of the grain.
- NOT RECOMMENDED FOR MIRROR FINISH.**
- 

## **NEVER:**

- Leave water spots, steel cookware, utensils, wet sponges, cloths or cleaning pads in the sink for lengthy periods; iron particles often develop rust spots in the stainless steel surface.
- Use a steel wool or scoring pad as it damages the sink surface and causes discoloration.
- Rub the sink across the stainless steel finish lines.
- Let household cleaning agents or bleach sit in your sink for long period of time as this may ruin the finish of your sink.
- Leave rubber mats, sponges, or cleaning pads in the sink for long period of time as this may ruin the finish of your sink.
- Use any drain cleaning products containing sulfuric acid or hydrochloric acid as this will attack the sink. Silver cleaners can also contain acids that will damage the sink surface.
- Use the inside of the sink as cutting surface.
- Use a steel wool pad to clean your sink.

# ANCONA LIMITED LIFETIME WARRANTY

This Ancona Sink product (the "Product") is warranted by AMS, in the manner fully set forth below, to be free from defects in material and workmanship and to operate properly in accordance with specifications, provided that it is used under the normal operating conditions and for ordinary home use and service in Canada and the USA. AMS provides a limited lifetime warranty on manufacturing defects in material and workmanship for its Products. This warranty applies to the initial domestic installation only and only to the original owner/purchaser. Proof of purchase (original sales receipt) must be made available to AMS for all warranty claims. This limited warranty does not apply to commercial installations. The warranty for commercial installations is 90 days.

AMS will repair or replace at no charge excluding shipping and labour costs any sink that has been proven to be defective under normal residential use (or, if the Product is no longer available, replace the defective Product with a comparable Product of equal or greater value). This lifetime limited warranty DOES NOT apply to any defects or damages caused by, installation, alterations, accidents, negligence, abuse, misuse, environmental factors or lack of proper maintenance. Chips, scratches and stains are not considered manufacturing defects, and this warranty DOES NOT apply to chips scratches and stains that occur with normal use. The limited lifetime warranty excludes labour costs and all shipping costs to and from the manufacturer and will be the responsibility of the purchaser. AMS is not liable for any damage to persons or property incurred in the installation and/or removal of the sink. AMS will not be responsible for the cost of repair or replacement of any materials used in the installation of the sink including but not limited to tiles, granite, marble, etc. This warranty excludes any accessories that are included with the sink including basket strainers.

AMS'S SOLE OBLIGATION AND THE CUSTOMER'S SOLE REMEDY FOR ANY DEFECTIVE PRODUCT OR PART THEREOF SHALL BE LIMITED TO THE REPAIR AND REPLACEMENT THEREOF. AMS'S ENTIRE AGGREGATE LIABILITY UNDER THE WARRANTY SHALL NOT EXCEED THE ORIGINAL PURCHASE PRICE OF THIS PRODUCT (EXCEPT WHERE AMS, IN ITS SOLE DISCRETION, DECIDES TO REPLACE THE PRODUCT WITH A PRODUCT OF GREATER VALUE).

PRIOR TO RETURNING ANY PRODUCT TO AMS, THE CUSTOMER MUST FIRST OBTAIN A RETURN AUTHORIZATION NUMBER AND SHIPPING INSTRUCTIONS FROM AMS (AN "AUTHORIZATION") BY CALLING THE FOLLOWING NUMBER: 1-800-350-4562.

After having obtained an Authorization from AMS, the customer should promptly ship the Product to the address specified in the Authorization with the following documentation:

- a complete description of the problem;
- the Product model number;
- the date and location of Product purchase; and
- the original sales receipt to be valid.

This Warranty does not cover and AMS shall not be responsible for: (i) service calls to correct the installation of the Product, to instruct the customer on how to use the Product or any other customer education; (ii) accessory parts, such as strainers; (iii) service outside the covered service area and (iv) labour costs associated with the removal, shipping and reinstallation cost or other contingent expenses.

Damages caused by accident, fire, lightning, brown-out, leaking, superior force, improper installation, handling or operation, error, use for non-domestic purposes, shipping damage, negligence, abuse, misuse, unauthorized repair, whether performed by the customer or a third party, or improper care or maintenance WILL IMMEDIATELY RENDER THIS WARRANTY NULL AND VOID AND AMS WILL BE RELIEVED FROM ITS OBLIGATION TO WARRANT THE PRODUCT.

AMS WILL NOT BE LIABLE FOR DAMAGES TO PERSONS OR PROPERTY IN CONNECTION WITH THE INSTALLATION, REPAIR OR REPLACEMENT OF THE PRODUCT, NOR FOR ANY INDIRECT, SPECIAL, PUNITIVE, EXEMPLARY, INCIDENTAL OR CONSEQUENTIAL DAMAGES, LOSSES, INJURY OR COSTS OF ANY NATURE, INCLUDING, WITHOUT LIMITATION, LOSS OF USE OR MALFUNCTION RELATING TO THIS PRODUCT. THIS WARRANTY IS NOT TRANSFERABLE OR ASSIGNABLE TO ANY PERSON.

SAVE AS HEREIN PROVIDED, THERE ARE NO OTHER WARRANTIES, CONDITIONS, REPRESENTATIONS OR GUARANTEES, EXPRESS OR IMPLIED, INCLUDING, WITHOUT LIMITATION, WARRANTY OF MERCHANTABILITY OR FITNESS FOR A PARTICULAR PURPOSE, MADE OR INTENDED BY AMS OR ITS AUTHORIZED DISTRIBUTORS.

Some provinces or states may not allow limitations on the exclusion or limitation of incidental or consequential damages, so these limitations and exclusions may not entirely apply to certain customers. Any provision in the Warranty which is unenforceable in any province or state shall be ineffective to the extent of such unenforceability, without invalidating the remaining provisions or affecting the validity or enforceability of such provisions in any other province or state.

This Warranty gives the customer specific legal rights, and the customer may also have rights which vary based on state, province or country. For service and assistance, please call: 1-800-350-4562, or email us at: [service@anconahome.com](mailto:service@anconahome.com)