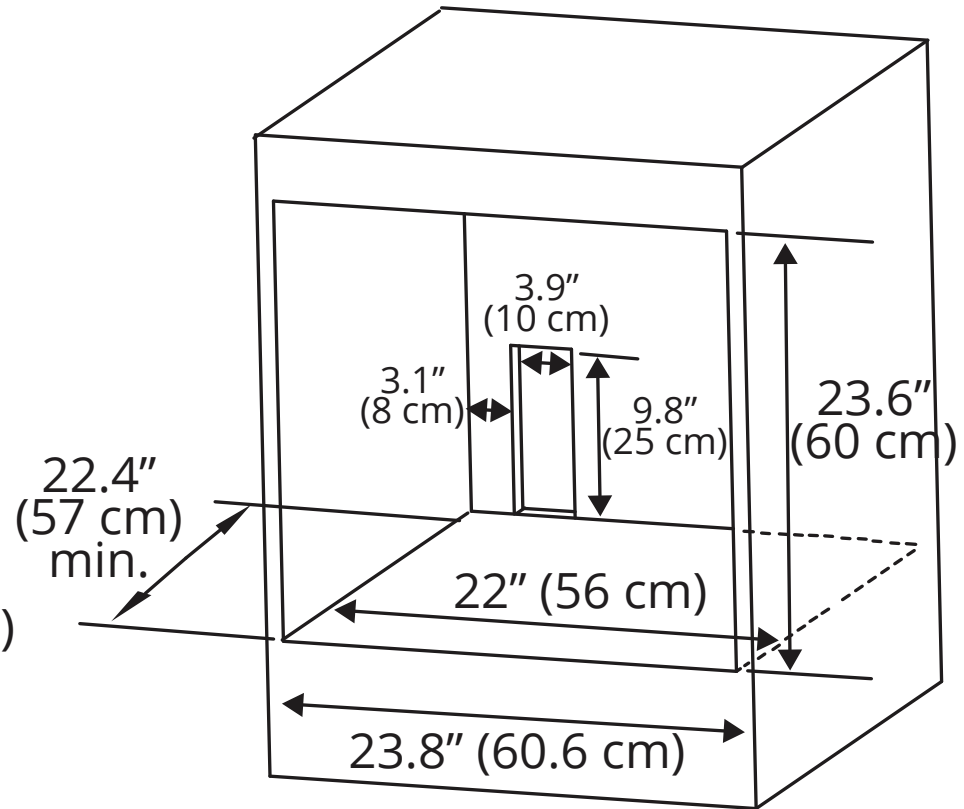
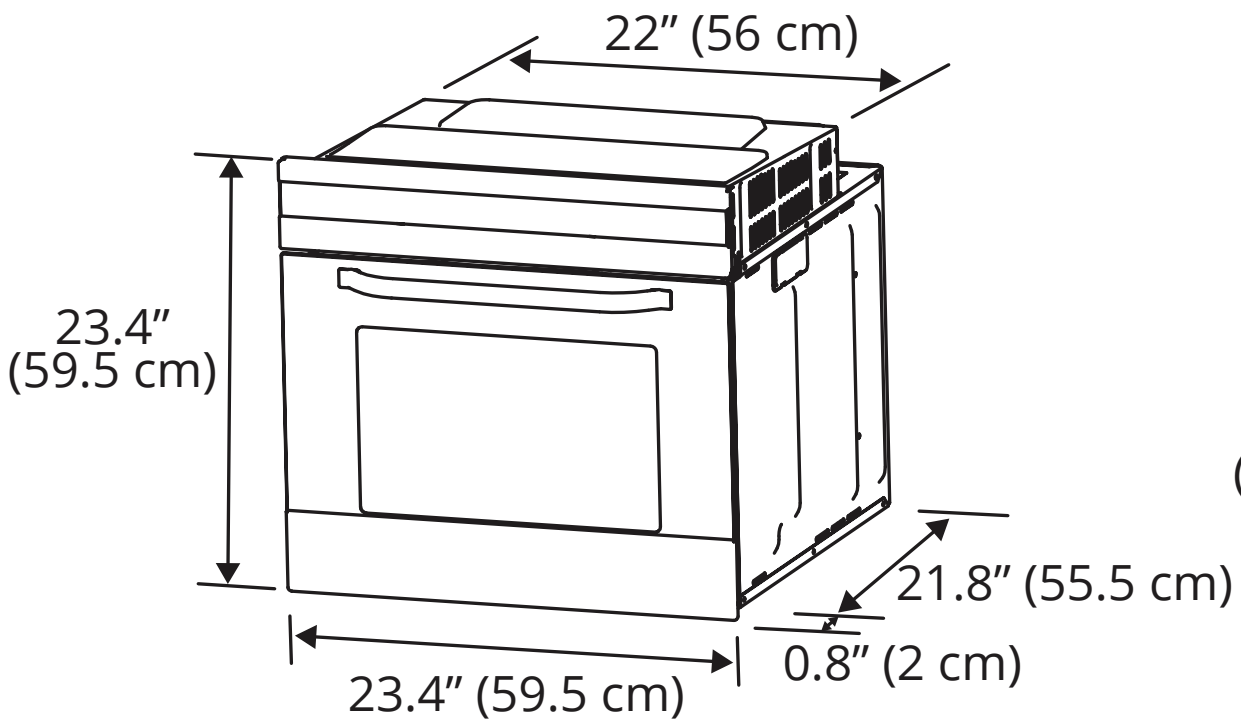
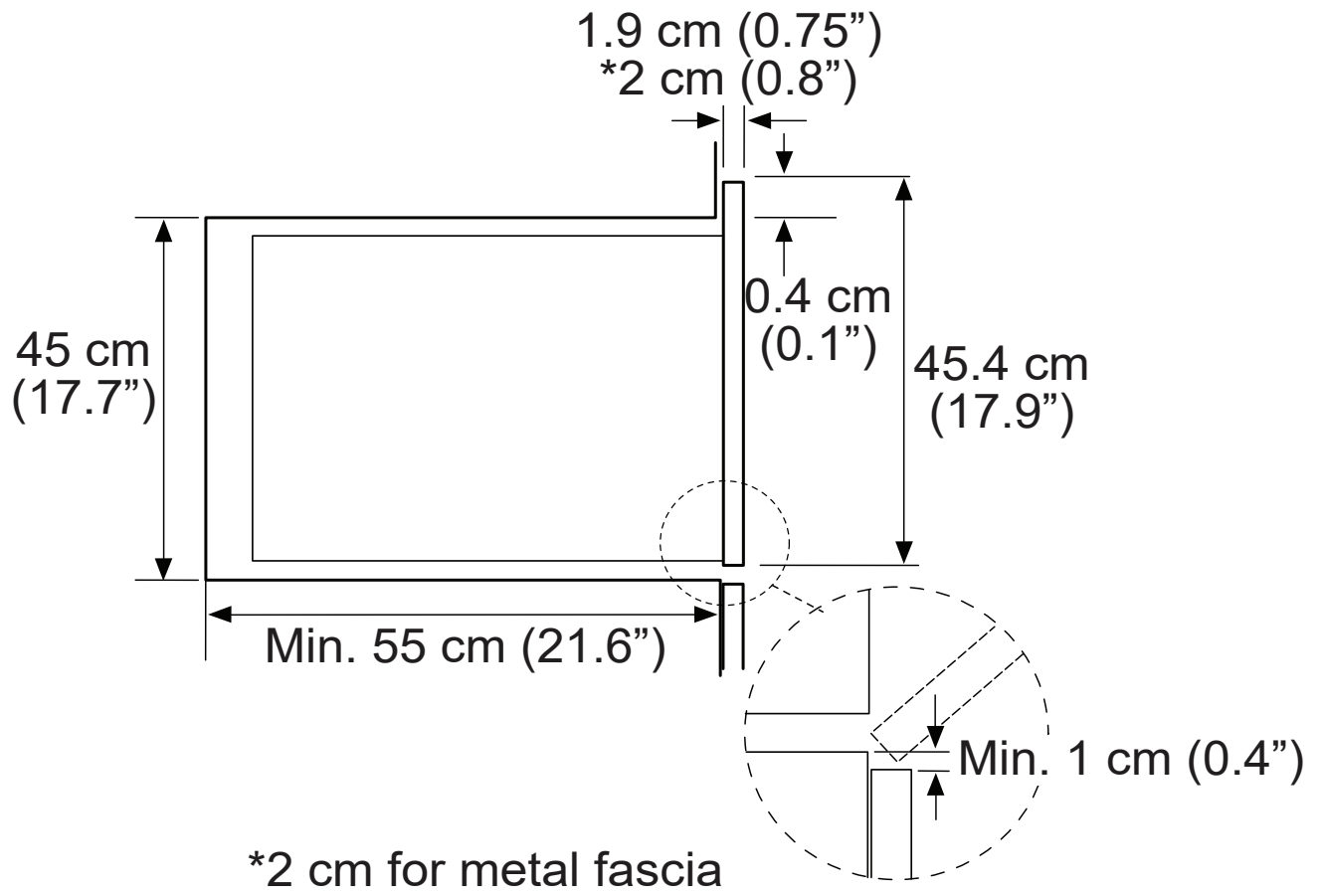
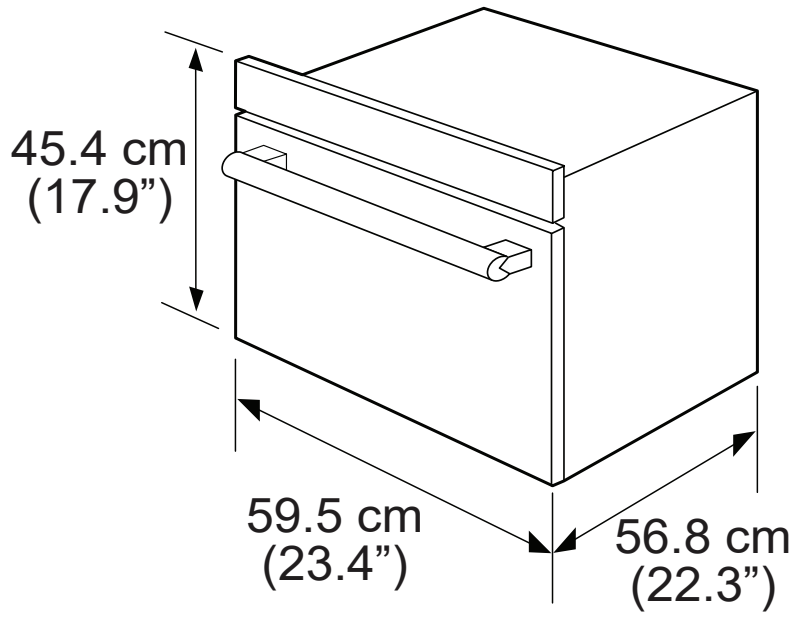


External dimensions without handle



1. Only plus deviations are admissible for all dimensions.
2. The cabinet does not include the power switch or socket.