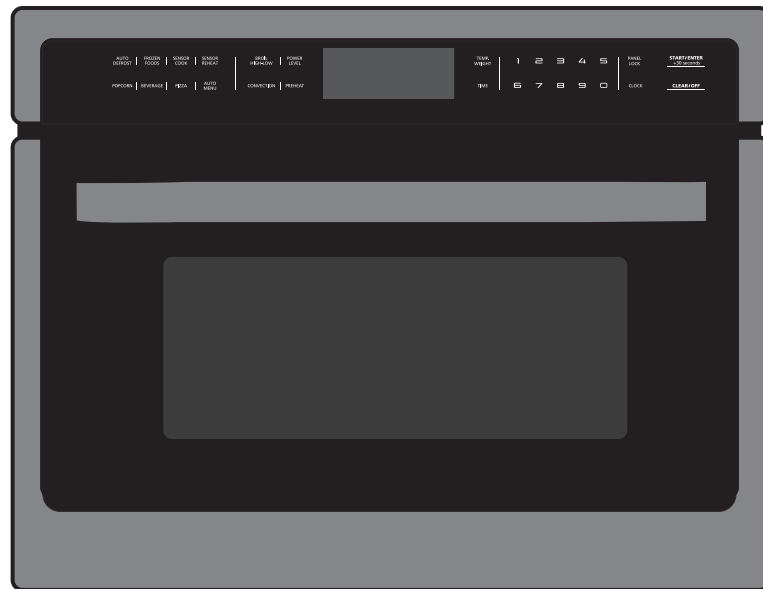




Built-In Combination Oven with Air Fry and Microwave

AN-2710SS



User Manual and Installation Instructions

IMPORTANT SAFETY INSTRUCTIONS
Carefully read the important information
regarding installation, safety and maintenance.
Keep these instructions for future reference.

MAAN2710SS-02
2023-02-23

Before You Begin

INSTALLERS - Start Here

**Safety Instructions are on pages 4 to 6 and
Installation Instructions are on pages 7 to 9.**

Please perform these steps:

1. Read the safety instructions.
2. Read all instructions in the Installation section of this manual BEFORE installing the appliance.
3. Remove all packing materials from the oven before connecting the gas supply.
4. Observe all governing codes and ordinances.
5. When finished, make sure to leave these instructions with the consumer.
6. Installation is only to be done by a qualified technician, but ultimately proper installation is the responsibility of the installer.
7. Product failure due to improper installation is not covered under the Warranty.



CONSUMERS - Start Here

**Safety Instructions are on pages 4 to 6 and
Operating Instructions are on pages 10 to 27.**

Please perform these steps:

1. Read the safety instructions.
2. Read all instructions in the manual BEFORE operating the appliance.
3. Remove all packing materials from the oven before using.
4. Observe all governing codes and ordinances.
5. Installation is only to be done by a qualified technician, but ultimately proper installation is the responsibility of the installer.
6. Product failure due to improper installation is not covered under the Warranty.



Table of Contents

Before You Begin.....	2
Table of Contents	3
Important Safety Information	4
Installation	7
Included Parts	7
Dimensions	7
Step 1 - Read the Safety Precautions.....	8
Step 2 - Plan Desired Location, Unpack the Appliance and Prepare Tools.....	8
Step 3 - Preparing the Cabinet	8
Step 4 - Fixing the Unit to the Cabinet	9
Step 5 - Connect to AC.....	9
Operation.....	10
Control Panel.....	10
Accessories	11
Before Using the Appliance for the First Time	11
Setting the Oven	12
The Microwave.....	13
Express Cooking.....	14
Multi-Stage Cooking	15
Automatic Programmes	15
Defrosting Programmes	15
Popcorn	16
Beverage.....	16
Frozen Foods	16
Pizza.....	17
Sensor Cooking	18
Broil	20
Setting the Time-Setting Options	20
Childproof Lock.....	21
Expert Cooking Guide.....	22
Acrylamide in Foodstuffs	24
Energy and Environment Tips	24
Care and Cleaning.....	25
Cleaning Guide.....	26
Troubleshooting.....	27

Important Safety Information

READ ALL INSTRUCTIONS BEFORE USE

Read and follow all instructions before using your oven to prevent the risk of fire, electric shock, personal injury, or damage when using the appliance. This guide does not cover all possible conditions that may occur. Always contact your service technician or manufacturer about problems that you do not understand.



DANGER: When you see this symbol in the instructions, it indicates a hazardous situation which, if not avoided, could result in death or serious injury.



WARNING: When you see this symbol in the instructions, it indicates a hazardous situation which, if not avoided, could result in minor or moderate injury.

DANGER



Precautions to Avoid Possible Exposure to Excessive Microwave Energy

- Do not attempt to operate this oven with the door open, since this can result in harmful exposure to microwave energy. It is important to not break or tamper with the safety interlocks.
- Do not place any object between the oven front face and the door or allow soil or cleaner residue to accumulate on sealing surfaces.
- **WARNING:** If the door or door seals are damaged, the oven must not be operated until it has been repaired by a competent person.

If the appliance is not maintained in a good state of cleanliness, its surface could be degraded and affect the lifespan of the appliance and lead to a dangerous situation.

SAVE THESE INSTRUCTIONS

If you follow the instructions, your oven will provide many years of good service.

Important Safety Information



WARNINGS

To reduce the risk of fire, electric shock, injury to persons or exposure to excessive microwave oven energy when using your appliance, follow basic precautions, including the following:

- Read and follow the specific: “Precautions to Avoid Possible Exposure to Excessive Microwave Energy”.
- Do not store or use gasoline, liquid propane cylinder or other flammable vapors and liquids in the vicinity of this or any other appliance.
- If the surface is cracked, switch off the appliance to avoid the possibility of electric shock.
- Do not repair or replace any part of the appliance unless specifically recommended in this manual. All other servicing should be done only by a qualified technician. This may reduce the risk of personal injury and damage to the appliance.
- The appliance and its accessible parts become hot during use. Care should be taken to avoid touching heating elements.
- Ensure that the appliance is switched off before replacing the oven lamp to avoid the possibility of electric shock.
- If the supply cord is damaged, it must be replaced by the manufacturer, its service agent or similarly qualified persons in order to avoid a hazard.
- **WARNING:** It is hazardous for anyone other than a competent person to carry out any service or repair operation that involves the removal of a cover, which gives protection against exposure to microwave energy.
- Disconnect power before servicing.
- Never modify or alter the construction of the appliance by removing panels, wire covers or any other part of the product.
- Injuries may result from the misuse of appliance doors such as stepping, leaning, or sitting on the doors.
- Keep the appliance and its cord out of reach of children less than 8 years. Children less than 8 years of age shall be kept away unless continuously supervised.
- This appliance can be used by children aged from 8 years and above and persons with reduced physical, sensory or mental capabilities, or lack of experience and knowledge, if they have been given supervision or instruction concerning use of the appliance in a safe way, and understand the hazards involved.
- **WARNING:** When the appliance is operated in the combination mode, children should only use the oven under adult supervision due to the high temperatures generated.
- Children should be supervised to ensure that they do not play with the appliance.
- Cleaning and user maintenance shall not be made by children without supervision.
- Do not allow children to go near the oven when it is operating, especially when the grill is on.
- Flammable materials should not be stored on the appliance or near surface units. This includes paper, plastic and cloth items, such as cookbooks, plastic ware and towels, as well as flammable liquids. Do not store explosives, such as aerosol cans, on or near the appliance. Flammable materials may explode and result in fire or property damage.
- **Maintenance:** Keep appliance area clear and free from combustible materials, gasoline, and other flammable vapors and liquids.
- **Storage in or on the appliance:** Flammable materials should not be stored in an oven or near surface units.
- **WARNING:** Liquids and other foods must not be heated in sealed containers since they are liable to explode.
- When heating food in plastic or paper containers, keep an eye on the oven due to the possibility of ignition.
- Only use utensils that are suitable for use in microwave ovens.
- If smoke is emitted, switch off or unplug the appliance and keep the door closed to stifle any flames.
- Microwave heating of beverages can result in delayed eruptive boiling, therefore care must be taken when handling the container.
- The contents of feeding bottles and baby food jars shall be stirred or shaken and the temperature checked before consumption, in order to avoid burns.
- Eggs in their shell and whole hard-boiled eggs should not be heated in microwave ovens since they may explode, even after microwave heating has ended.
- The oven should be cleaned regularly and all food deposits removed.
- Failure to maintain the oven in a clean condition could lead to deterioration of the surface that could adversely affect the life of the appliance and possibly result in a hazardous situation.
- Do not use harsh abrasive cleaners or sharp metal scrapers to clean the oven door glass. They can scratch the surface, which may result in shattering of the glass.
- A steam cleaner is not to be used.

Important Safety Information

- This appliance is intended to be used in household and similar applications such as:
 - staff kitchen areas in shops, offices and other working environments
 - by clients in hotels, motels and other residential type environments
 - farm houses
- Care should be taken not to displace the turntable when removing containers from the appliance.
- The microwave oven is intended for heating food and beverages. Drying of food or clothing and heating of warming pads, slippers, sponges, damp cloth and similar may lead to risk of injury, ignition or fire.
- Surface of a storage drawer can get hot.
- Metallic containers for food and beverages are not allowed during microwave cooking
- The appliance is intended to be used built-in.
- The appliance must not be installed behind a decorative door, in order to avoid overheating.

READ AND FOLLOW THIS SAFETY INFORMATION CAREFULLY.

SAVE THESE INSTRUCTIONS!

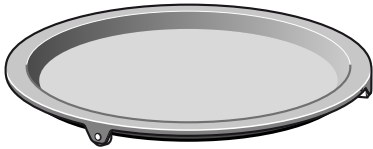
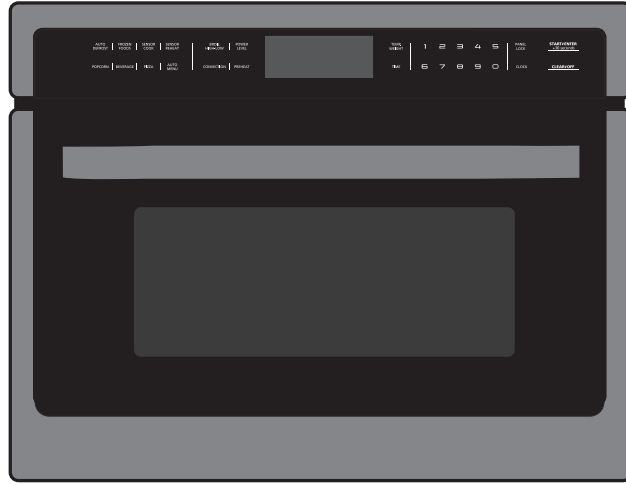
Causes of damage

CAUTIONS

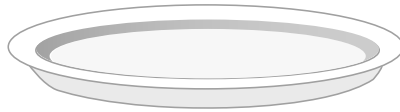
- Creation of sparks: Metal - e.g. a spoon in a glass - must be kept at least 2 cm from the oven walls and the inside of the door. Sparks could irreparably damage the glass on the inside of the door. Using metal under microwave mode is not recommended.
- Water in the hot cooking compartment: Never pour water into the hot cooking compartment. This will cause steam. The temperature change can cause damage.
- Moist food: Do not store moist food in the closed cooking compartment for long periods.
- Do not use the appliance to store food. This can lead to corrosion.
- Cooling with the appliance door open: Only leave the cooking compartment to cool with the door closed. Do not trap anything in the appliance door. Even if the door is only slightly ajar, the fronts of adjacent units may be damaged over time.
- Heavily soiled seal: If the seal is very dirty, the appliance door will no longer close properly during operation. The fronts of adjacent units could be damaged. Always keep the seal clean.
- Operating the microwave without food: Never switch on the appliance unless there is food in the cooking compartment. Operating the appliance without food in the cooking compartment may lead to overload. An exception to this rule is a short crockery test (see the section "Microwave, suitable ovenware").
- Do not stand or place anything on the open appliance door. Do not place ovenware or accessories on the appliance door.
- Transporting the appliance: Do not carry or hold the appliance by the door handle. The door handle cannot support the weight of the appliance and could break.
- Microwave popcorn: Never set the microwave power too high. Use a power setting no higher than 600 watts. Always place the popcorn bag on a glass plate. The disc may jump if overloaded.
- Liquid that has boiled over must not be allowed to run through the turntable drive into the interior of the appliance. Monitor the cooking process. Choose a shorter cooking time initially and increase the cooking time as required.
- The oven should be cleaned regularly, and any food deposits removed since they may explode, even after microwave heating has ended.
- Failure to maintain the oven in a clean condition could lead to deterioration of the surface that could adversely affect the life of the appliance and possibly result in a hazardous situation.

Installation

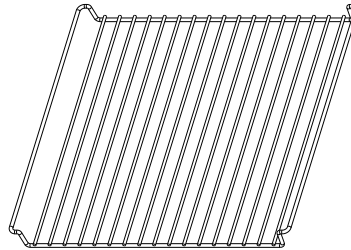
Included Parts



1 Metal turntable



1 Ceramic plate



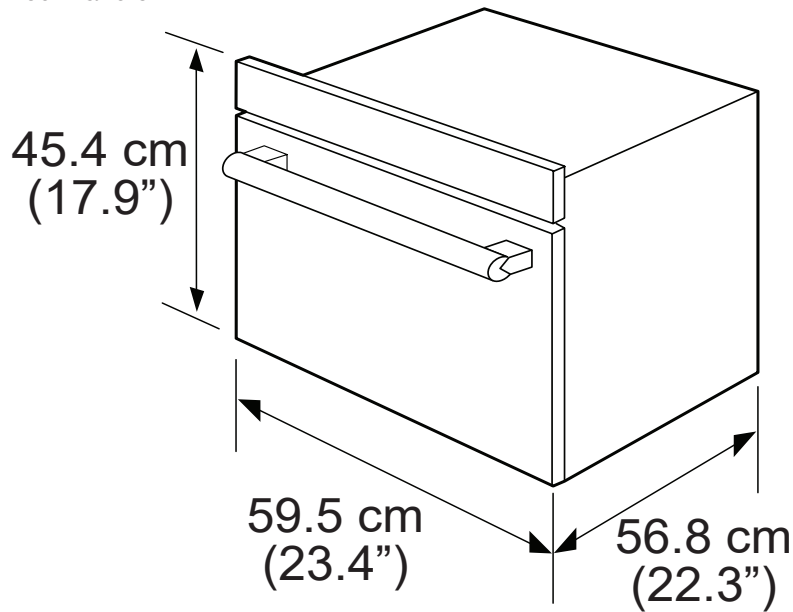
1 Grill rack



2 Mounting screws

Dimensions

External dimensions without handle



Rated Voltage	120 V ~ , 60 Hz, 20 A
Maximum Power	3400W
Rated Output Power (Microwave)	1000W
Oven Capacity	44L
Turntable Diameter	36 cm

Installation

STEP 1

Read the Safety Precautions

Please read the safety precautions on pages 4 to 6. Safety instructions pertaining to each step have been outlined in the installation steps; however it is important to read **ALL** the safety instructions.

IMPORTANT: It is the installer's responsibility to comply with installation clearances.

STEP 2

Plan Desired Location, Unpack the Appliance and Prepare Tools

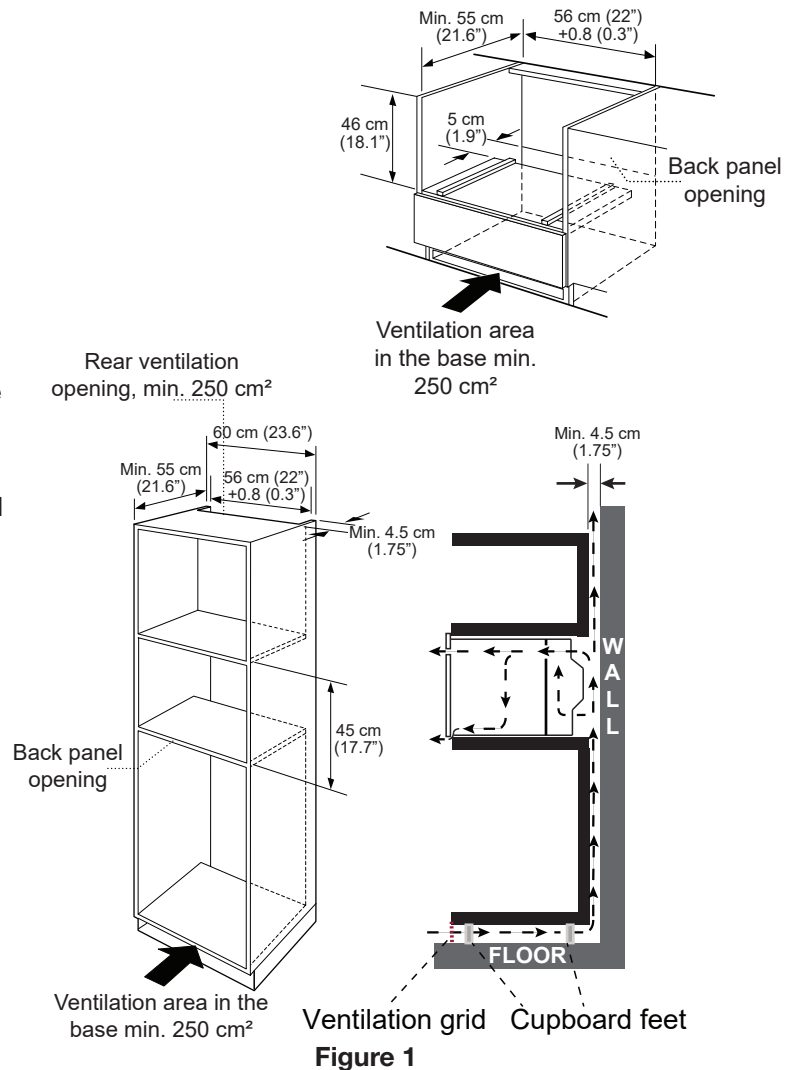
Plan a desirable location that fits all requirements in the Safety and Install sections of this manual. Unpack the appliance and parts carefully. Make sure all parts are included as shown on page 7 and set aside. **DO NOT** remove the protective film covering the appliance.

WARNING:  DO NOT LIFT THE UNIT BY THE OVEN DOOR HANDLE.

STEP 3

Preparing the Cabinet

- This appliance is only intended to be fully fitted in a kitchen.
- This appliance is not designed to be used as a tabletop appliance or inside a cupboard.
- The fitted cabinet must not have a back wall behind the appliance.
- A gap of at least 45 mm must be maintained between the wall and the base or back panel of the unit above.
- The fitted cabinet must have a ventilation opening of 250 cm² on the front. To achieve this, cut back the base panel or fit a ventilation grille.
- Ventilation slots and intakes must not be covered.
- The safe operation of this appliance can only be guaranteed if it has been installed in accordance with these installation instructions.
- The installer is liable for any damage resulting from incorrect installation.
- The cabinet into which the appliance is fitted must be heat resistant up to 90°C.
- Note: There should be a gap above the oven.



Installation

STEP 4

Fixing the Unit to the Cabinet

Do not hold or carry the appliance by the door handle. The door handle cannot hold the weight of the appliance and may break off.

1. Carefully push the microwave into the box, making sure that it is in the centre. Do not kink the connecting cable.
2. Open the door and fasten the microwave with the screws that were supplied.
3. Screw the appliance into place. The gap between the worktop and the appliance must not be closed by additional battens.

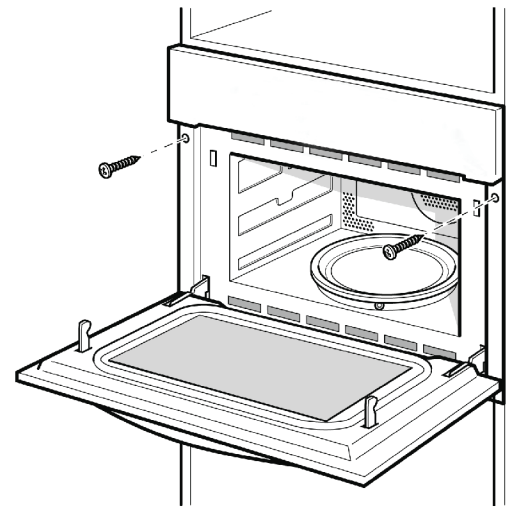
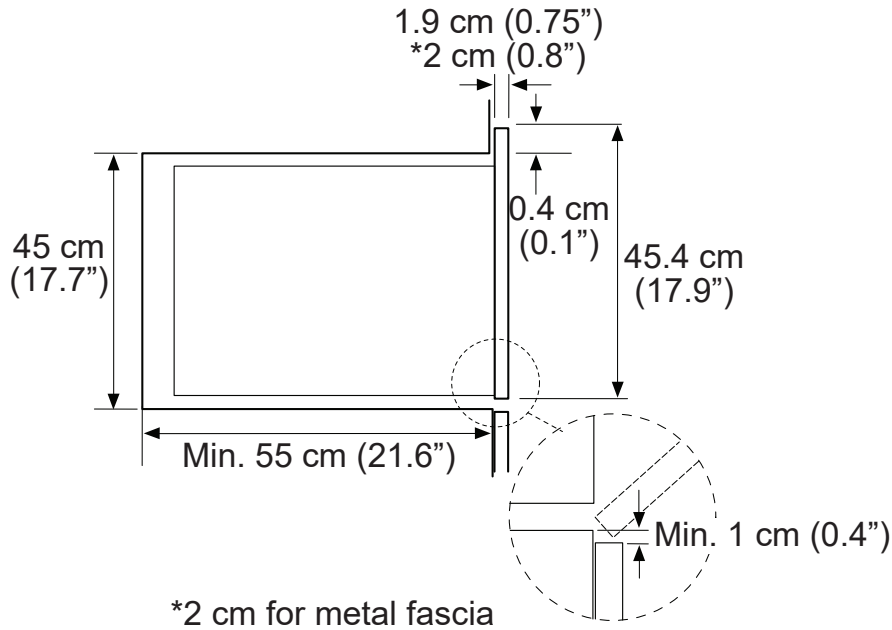


Figure 2

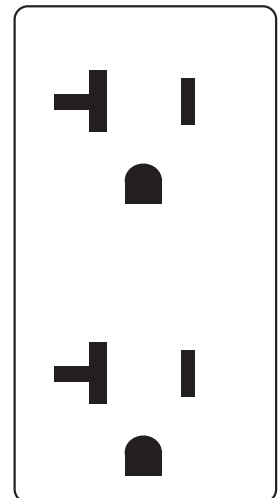
STEP 5

Connect to AC

Connect AC plug into a grounded AC outlet with 120V, 60Hz, 20A.

WARNING:

The appliance is fitted with a plug and must only be connected to a properly installed grounded socket. Only a qualified electrician who takes the appropriate regulations into account may install the socket or replace the connecting cable. If the plug is no longer accessible after installation, an all-pole isolating switch must be present on the installation side with a contact gap of at least 3 mm. Contact protection must be ensured by the installation. Fuse protection: see specifications on page 7.



Operation

Use this section to familiarise yourself with your new appliance.

The control panel and the individual operating controls are explained. You will find information on the cooking compartment and the accessories.

Control Panel



Touch keys and display

The touch keys are used to set the various functions. On the display, you can read the values that you have set.

AUTO DEFROST	Select Auto Defrost programs	CONVECTION	Select Bake Cook programs Select Roast Cook programs
FROZEN FOODS	Start cooking programs for frozen convenience foods	PREHEAT	Select preheat programs
SENSOR COOK	Select Sensor Cook programs	TEMP. WEIGHT	Set temp. or weight of cooking
SENSOR REHEAT	Select Sensor Reheat programs	TIME	Set cooking time
POPCORN	Cook popcorn	PANEL LOCK	Activate/deactivate child lock
BEVERAGE	Heat beverages	CLOCK	Set time of day
PIZZA	Select pizza programs	0 - 9	Use the number keys to enter customized values
AUTO MENU	Select auto menu programs	START / ENTER +30 seconds	Confirm entered values/Start cooking mode Add 30 seconds
BROIL HIGH-LOW	Set Broil modes (High or Low)	CLEAR / OFF	Clear entered value /turn appliance off
POWER LEVEL	Set power level for microwave operation		

Parameter adjustment

Use the adjusting keys to set the parameters.

Parameter	Function
Auto menu	Select 8 automatic programmes
Weight	Set the weight of cooking
Time	Set the time of cooking

Cooling fan

Your appliance has a cooling fan. The cooling fan switches on during operation. The hot air escapes above the door.

The cooling fan continues to run for a certain time after operation.



WARNING: Do not cover the ventilation slots. Otherwise, the appliance will overheat.

- The appliance remains cool during microwave operation. The cooling fan will still switch on. The fan may run on even when microwave operation has ended.
- Condensation may appear on the door window, interior walls and floor. This is normal and does not adversely affect microwave operation. Wipe away the condensation after cooking.

Operation

Accessories

Turntable

As a surface for the wire rack. Food which particularly requires a lot of heat from underneath can be prepared directly on the turntable.

The turntable can turn clockwise or anti-clockwise.

Place the turntable on the drive in the centre of the cooking compartment. Ensure that it is properly fitted.

- Never use the microwave without the turntable.
- The turntable can withstand max. 5 kg.
- The turntable must turn when using all types of heating.



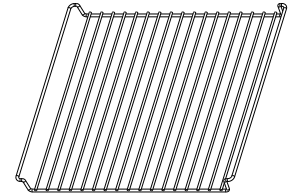
Ceramic Plate

For the microwave and for baking and roasting in the oven.

Grill Rack

For grilling, e.g. steaks, sausages and for toasting bread.

As a support for shallow dishes.



Before Using the Appliance for the First Time

Set up your appliance before using your oven to prepare food for the first time. First read the section on Safety information.

Setting the clock

Once the appliance is connected, “12:00” will be displayed as the time of day. To set the correct time, follow below steps:

1. Touch **CLOCK** .
2. Enter the correct time using the number keys. Example: To set the clock to 12:41 type in 1 2 4 1.
3. Touch **START/ENTER** +30 seconds to confirm.

Heating up the oven

To remove the new oven smell, heat up the appliance when it is empty and closed. One hour with Convection at 350° F (180 °C) is ideal. Ensure that no packaging remnants have been left in the oven cavity.

1. Touch **CONVECTION** once to enter bake mode.
2. Enter the numbers 3 5 0 with the number keys.
3. Touch **TIME** to adjust cooking time.
4. Enter the numbers 6 0 0 0 with the number keys.
5. Touch **START/ENTER** +30 seconds to start cooking.

The oven light turns on and the appliance starts heating.

Before you use the accessories for the first time, clean them thoroughly with hot soapy water and a soft dish cloth.

Operation

Setting the Oven

There are various ways to set your oven, to select the desired type of heating and temperature or grill setting. You can also select the oven cooking time for your dish. Please refer to the section on Setting the time-setting options.

Setting Convection mode

Example: roast 350° F for 20 minutes

1. Touch **CONVECTION** twice to enter roast mode.
2. Enter the numbers 3 5 0 with the number keys.
3. Touch **TIME** to adjust cooking time.
4. Enter the numbers 2 0 0 0 with the number keys.
5. Touch **START/ENTER**
+30 seconds to start cooking.

Opening the oven door during operation

Operation is suspended. After closing the door, press the **START/ENTER**
+30 seconds key. Operation continues.

Cancelling operation

Touch **CLEAR/OFF** to cancel the active oven mode. The appliance turns off and the clock is displayed. The cooling fans may continue to run for awhile and then switch off automatically.

Rapid Preheating

With rapid preheating, your oven reaches the set temperature faster than usual.

To ensure an even cooking result, only put your food in the cooking compartment when the preheating phase is complete.

1. Touch the **PREHEAT** key.
2. Enter the temperature setting with the number keys. The input temperature should be within 100 to 450° F.
3. Touch the **START/ENTER**
+30 seconds key.

The oven begins to heat up.

The preheating process is complete

A signal sounds. Put your dish in the oven. Set the cooking mode you need.

Cancelling rapid preheating

While setting the rapid preheating function, pressing the **CLEAR/OFF** cancel the function

During rapid preheating, touching **CLEAR/OFF** can cancel the function. You can also open the door to cancel the function.

Note: Only open the door and put food inside after signal goes off and preheating icon is blinking.

Operation

The Microwave

Microwaves are converted to heat foodstuffs. The microwave can be used on its own, or in combination with a different type of heating. Follow below guides regarding ovenware and how to set the microwave.

Note: In the Expert Cooking Guide, you will find examples for defrosting, heating and cooking with the microwave oven.

Notes regarding ovenware

Suitable ovenware

Suitable dishes are heat-resistant ovenware made of glass, glass ceramic, porcelain, ceramic or heat-resistant plastic. These materials allow microwaves to pass through.

You can also use serving dishes, to avoid having to transfer food from one dish to another. Do not use ovenware with decorative gold or silver trim, unless if the manufacturer guarantees that they are suitable for use in microwaves.

WARNING:



Creation of sparks: Metal - e.g. a spoon in a glass - must be kept at least 2 cm from the oven walls and the inside of the door. Sparks could irreparably damage the glass on the inside of the door. Using metal under microwave mode is not recommended.

Unsuitable ovenware

Metal ovenware is unsuitable. Metal does not allow microwaves to pass through. Food in covered metal containers will remain cold.

Ovenware test

Do not switch on the microwave unless there is food inside. The following ovenware test is the only exception to this rule.

Perform the following test if you are unsure whether your ovenware is suitable for use in the microwave:

1. Heat the empty ovenware at maximum power for ½ to 1 minute.
2. Check the temperature occasionally during that time. The ovenware should still be cold or warm to the touch. The ovenware is unsuitable if it becomes hot or sparks are generated.

Microwave power settings

You can select from 10 different microwave power levels. If you do not set a power level, the microwave will automatically operate at the highest power level 10.

The table below provides suggested power levels for various types of food that can be prepared in the microwave.

Power level	Microwave output	Use for
10 High	100%	Boiling water Cooking ground meat Making candy Cooking fresh fruit & vegetables Cooking fish & poultry Preheating browning dish Reheating beverages Cooking bacon slices
9	90%	Reheating meat slices quickly Sauté onions, celery & green peppers
8	80%	All reheating Cooking scrambled eggs
7	70%	Cooking breads & cereal products Cooking cheese dishes Cooking muffins, brownies & cupcakes Cooking whole poultry
6	60%	Cooking pasta
5	50%	Cooking meat Cooking custard Cooking spareribs, rib roast & sirloin roast
4	40%	Cooking less tender cuts of meat Reheating frozen packaged foods
3	30%	Thawing meat, poultry & seafood Cooking small quantities of food Finish cooking casseroles, stew & some sauces Melting chocolate
2	20%	Softening butter & cream cheese
1	10%	Softening ice cream Raise yeast dough

Operation

Setting the microwave

1. Enter the desired cook time with the number keys. The timer display will fill in from right to left.

Example: To set a microwave time of 20 minutes and 30 seconds, enter the numbers 2 0 3 0.

2. You can start microwave operation with the default power level 10 by touching **START / ENTER** +30 seconds ,

-or -

you can set a different power level. Press **POWER LEVEL** .

3. Enter the desired power level using the number keys.

4. Touch **START / ENTER** +30 seconds to start microwave operation. The microwave timer will start to count down.

Express Cooking

1. In waiting state, touch number keys 1 to 9 to start 100% microwave cooking in 1 to 9 minutes.

2. If the door is closed, the oven will start to cook automatically after 2 seconds.

Change power level

You can change the power level at any time during microwave operation.

1. Touch **POWER LEVEL** .

2. Enter the desired power level with the number keys.

3. Touch **START / ENTER** +30 seconds .

Microwave operation continues with the new power level.

Opening the appliance door during operation

Operation is suspended. After closing the door, touch the **START / ENTER** +30 seconds key. Operation continues.

Cancelling operation

Touch **CLEAR / OFF** Clear/Off to cancel the active oven mode. The appliance turns off and the clock is displayed.

The cooling fans may continue to run for awhile and then switch off automatically.

Speedy microwave cooking

Use the **START / ENTER** +30 seconds key to quick start your microwave at the highest power level. You can touch the key repeatedly to increase the microwave time in increments of 30 seconds.

Touching this key during microwave operation will add 30 seconds to the remaining microwave time.

The cooking time has elapsed

A signal sounds. Microwave operation has finished.

Operation

Multi-Stage Cooking

1. Enter the desired cook time with the number keys. The timer display will fill in from right to left.
2. Touch **POWER LEVEL** .
3. Enter the desired power level using the number keys.
4. Touch **POWER LEVEL** .
5. Enter the desired power level using the number keys.
6. Touch **START/ENTER** +30 seconds .
7. Enter the desired cook time with the number keys.
8. Touch **START/ENTER** +30 seconds to start microwave operation.

The buzzer will sound 3 times when the first stage cooking is finished, and the second stage starts.

Automatic Programmes

The automatic programmes enable you to prepare food very easily. You select the programme and enter the weight of your food. The automatic programme makes the optimum setting. You can choose from 8 programmes.

Always place the food in the cold cooking compartment.

Setting a programme

When you have selected a programme, set the oven. The temperature selector must be in the off position.

1. Press **AUTO MENU** .
2. Press **AUTO MENU** repeatedly to scroll through all Auto Menu.
3. Press number keys to adjust weight of food.
4. Touch **START/ENTER** +30 seconds to start cooking.

Program	Weight range	Food placement
1 - Chicken Breasts	0.5 - 3.0 lbs	Wire rack, facing down
2 - Chicken Thigh	0.5 - 3.0 lbs	Wire rack, facing down
3 - Whole Poultry	1.5 - 4.5 lbs	Turntable
4 - Beef Roast	0.5 - 3.25 lbs	Turntable
5 - Pork Tenderloin	1.0 - 3.0 lbs	Wire rack, facing down
6 - Pork Chops	0.5 - 3.0 lbs	Wire rack, facing down
7 - Meatloaf	1.0 - 3.25 lbs	Turntable
8 - Fish Fillets	0.5 - 2.0 lbs	Wire rack, facing down

Opening the appliance door during operation

Operation is suspended. After closing the door, touch the **START/ENTER** +30 seconds key. Operation continues.

Cancelling operation

Touch **CLEAR/OFF** to cancel the active oven mode. The appliance turns off and the clock is displayed.

The cooling fans may continue to run for awhile and then switch off automatically.

Defrosting Programmes

You can select two different defrosting programmes to defrost ground meat and meat pieces.

1. Touch **AUTO DEFROST** once or twice to choose "GROUND MEAT" or "MEAT PIECES".
2. Enter the weight of the food you want to defrost using the number keys.
3. Touch **START/ENTER** +30 seconds to start defrosting.

Program no.	Defrost	Weight range in lbs.
1	Ground meat	0.50 - 2.00
2	Meat pieces	0.50 - 3.00

Operation

Notes

- Preparing food: Use food that has been frozen at -18 °C and stored in portion-sized quantities that are as thin as possible.
- Take the food to be defrosted out of all packaging and weigh it. You need to know the weight to set the programme.
- Liquid will be produced when defrosting meat or poultry. Drain off this liquid when turning meat and poultry and under no circumstances use it for other purposes or allow it to come into contact with other foods.
- Ovenware: Place the food in a microwaveable shallow dish, e.g. a china or glass plate, but do not cover.
- When defrosting chicken and chicken portions, an audible signal will sound on two occasions to indicate that the food should be turned.
- Resting time: The defrosted food should be left to stand for an additional 10 to 30 minutes until it reaches an even temperature. Large pieces of meat require a longer standing time than smaller pieces. Flat pieces of meat and items made from minced meat should be separated from each other before leaving to stand.

After this time, you can continue to prepare the food, even though thick pieces of meat may still be frozen in the middle.

The giblets can be removed from poultry at this point.

Popcorn

The popcorn feature lets you pop 3 different bag sizes of commercially packaged microwave popcorn. Use the adjacent table to determine the setting to use.

Bag size	Touch Popcorn mode
1.2 oz.	Once
2.5 oz.	Twice
3.5 oz.	3 times

Setting Popcorn mode

The appliance must be turned off.

1. Touch **POPCORN**. The cook time is displayed.
2. Touch **POPCORN** repeatedly or touch number key 1 to 3 to choose the desired weight.
3. Touch **START/ENTER** +30 seconds. The microwave timer starts counting down.

When the microwave time has elapsed, a beep will sound. The appliance turns off and the clock is displayed.



WARNING: Do not leave oven unattended while popping corn. Popcorn may ignite and cause fire.

Beverage

The beverage feature heats 0.5 to 2 cups of a beverage. Use the table to determine the setting to use.

Setting Beverage mode

1. Touch **BEVERAGE**. The cook time is displayed.
2. Touch **BEVERAGE** repeatedly or touch number key 1 to 4 to choose the desired amount.
3. Touch **START/ENTER** +30 seconds.

The microwave timer starts counting down. When the microwave time has elapsed, a beep will sound. The appliance turns off and the clock is displayed.

Amount	Touch Beverage mode
0.5 cups (about 4 oz.)	Once
1 cup (about 8 oz.)	Twice
1.5 cups (about 12 oz.)	3 times
2 cups (about 16 oz.)	4 times

Frozen Foods

Use the Frozen Foods feature to prepare frozen convenience foods, like chicken nuggets, french fries, fish sticks, using bottom heat and Convection.

Operation

Place the food you want to cook directly on the metal turntable.

You can set a temperature range from 200 to 450° F (100 to 230°C).

Setting Frozen Foods

The appliance must be turned off.

1. Touch **FROZEN FOODS**.
2. You can change the temperature by using the number keys. You can enter a temperature between 200 and 450° F (100 - 230°C).
3. Touch **TIME** to adjust cooking time.
4. Touch **START/ENTER +30 seconds** to start cooking.

Opening the appliance door during operation

Opening the appliance door during operation will interrupt the current mode. When you close the appliance door, operation will be resumed.

Cancel operation

Touch **CLEAR/OFF** to cancel the active oven mode. The appliance turns off and the clock is displayed. The cooling fans may continue to run for awhile and then switch off automatically.

Pizza

You can use the Pizza mode to bake three different types of pizza:

Mode no.	Pizza type	Bake on
1	Frozen pizza	Metal turntable
2	Fresh pizza	Metal turntable
3	Microwave pizza	Ceramic plate

Pizza tips

- Check pizza before minimum time, pizza may cook faster compared to a traditional oven.
- For fresh pizza use a pizza paddle for sliding the pizza on and from the metal turntable.
- If using a pizza paddle, sprinkle the paddle liberally with cornmeal for ease in transferring the dough to the metal turntable.
- Maximum size is 12 inches for fresh and frozen pizzas.
- Avoid using a pizza stone as it can damage the oven.
- The metal turntable can be used for cutting pizza into slices. Remove the turntable from the oven after the pizza is baked.

Setting Pizza mode for fresh or frozen pizza

The appliance must be turned off. You can bake fresh or frozen pizza directly on the metal turntable.

You can set a temperature range from 375 to 450° F (190 to 230°C) for fresh and frozen pizza modes.

1. Press **PIZZA**.
2. Press **PIZZA** repeatedly to scroll through all pizza modes.
3. Touch **START/ENTER +30 seconds**.
4. You can change the temperature by using the number keys. Touch **START/ENTER +30 seconds** to confirm.

The appliance starts preheating. The set temperature is reached once the preheat bar has filled up completely and a beep sounds.

Operation

Setting Pizza mode for microwave pizza

Place the microwave pizza on the ceramic plate and put it in the oven following package directions.

1. Touch PIZZA.
2. Touch the number key 3 or touch PIZZA repeatedly until MICROWAVE PIZZA is displayed.
3. Touch **START/ENTER** +30 seconds.
4. Touch **START/ENTER** +30 seconds again. Sensing and the microwave symbol light up on the display.

The appliance starts sensing.

When sensing is complete, a beep will sound and the calculated cook time will start to count down.

After the cook time has run out, a beep will sound. The appliance turns off and the clock is displayed.

Note: Do not open the door during the sensing process, or the program will be cancelled.

Once the calculated cook time is displayed, you can open the door to stir, turn or rearrange the food. Touch **START/ENTER** +30 seconds to resume operation.

Opening the appliance door during operation

Opening the appliance door during operation will interrupt the current mode. When you close the appliance door, operation will be resumed.

Sensor Cooking

You can select two sensor cooking modes. Sensor cooking allows you to cook many of your favorite foods without selecting cooking times and power levels. The microwave oven automatically determines the required cooking time for each food item.

For best results for cooking by sensor, follow these recommendations:

- Food cooked with the sensor system should start from normal storage temperature.
- Turntable tray, ceramic plate and outside of container should be dry.
- Foods should always be covered loosely with microwavable plastic wrap, wax paper or lid.
- Do not open the door or touch Clear/Off key during sensing time. When sensing time is over, the oven beeps once and the remaining cooking time will appear in the display. At this time you can open the door to stir, turn or rearrange the food.

Sensor Reheat

The Sensor Reheat feature lets you reheat dinner plates or casseroles (8-16 oz.) for your cooking convenience.

Setting Sensor Reheat

1. Touch **SENSOR REHEAT**.
2. Touch **START/ENTER** +30 seconds. Sensing is displayed. The microwave operates during sensing.
3. When sensing is complete, a beep will sound and the calculated cook time will start to count down.

Note: Do not open the door during the sensing process, or the program will be cancelled.

Once the calculated cook time is displayed, you can open the door to stir, turn or rearrange the food. Touch **START/ENTER** +30 seconds to resume operation.

When sensor reheat is finished, a beep will sound and the appliance turns off.

Operation

Notes:

- Cover with vented plastic wrap or wax paper.
- Reheat food on a microwaveable dinner plate.

Reheat cooking suggestions

Food	Directions	Quantity
Dinner plate	Use only pre-cooked, refrigerated foods. Cover plate with vented plastic wrap or waxed paper, tucked under plate. If food is not hot enough after heating with the Reheat feature, continue heating using manual time and power level setting. Contents: <ul style="list-style-type: none"> • 3-4 oz. meat, poultry or fish (up to 6 oz. with bone) • 1/2 cup starch (potatoes, pasta, rice, etc.) • 1/2 cup of vegetables (about 3-4 oz.) 	1 serving (1 plate)
Casserole, Pasta	Cover plate with lid or vented plastic wrap. If food is not hot enough after heating with the Reheat feature, continue heating using manual time and power level setting. Stir foods once before serving. Contents: <ul style="list-style-type: none"> • Casserole: refrigerated foods (such as beef stew or lasagna) • Pasta: Canned spaghetti and ravioli, refrigerated foods 	1 to 4 servings

Sensor Cook

Sensor Cook allows you to cook many of your favorite foods without selecting cooking times and power levels. The microwave oven automatically determines the required cooking time for each food item.

Setting Sensor Cook

The appliance must be turned off.

1. Touch **SENSOR COOK**.
2. Touch **SENSOR COOK** repeatedly to scroll through all Sensor Cook modes.
3. Touch **START/ENTER** +30 seconds.

The program will start sensing with the microwave operating.

Sensor Cook programs

Sensor Cook Program	Quantity	Cooking tips
1 - Baked Potato	1 - 4 potatoes (8 - 32 oz.)	Pierce skin with a fork. Do not cover. After cooking, allow to stand wrapped in foil for 5 minutes.
2 - Ground Meat	8 - 24 oz. (0.5 - 1.5 lbs)	After cooking, allow to stand covered, for 3 - 4 minutes.
3 - Fresh Vegetables	4 - 16 oz. (0.25 - 1 lbs)	No water is needed if vegetables have just been washed. Add 2 tablespoons water per 8 ounces of fresh vegetables.
4 - Fish/ Seafood	8 - 20 oz. (0.5 - 1.25 lbs)	Roll thin edges underneath. Arrange in a ring around microwaveable dish.
5 - Frozen Entrees	10 - 20 oz.	Follow package instructions for venting, cutting plastic film, etc.

Operation

When sensing is complete, a beep will sound and the calculated cook time will start to count down.

Note: Do not open the door during the sensing process, or the program will be cancelled.

Once the calculated cook time is displayed, you can open the door to stir, turn or rearrange the food. Touch **START / ENTER** +30 seconds to resume operation.

When sensor cook is finished a beep will sound and the appliance turns off.

Opening the appliance door during operation

Opening the appliance door during operation will interrupt the current mode. Close the appliance door and then touch **START / ENTER** +30 seconds to resume operation.

Cancel operation

Touch **CLEAR / OFF** to cancel the active oven mode. The appliance turns off and the clock is displayed.

The cooling fans may continue to run for awhile and then switch off automatically.

Broil

The Broil feature uses intense heat radiated from the upper element.

You can set two intensity levels:

- Broil high
- Broil low

Setting Broil mode

The appliance must be turned off.

1. Touch **BROIL** **HIGH-LOW** .
2. Touch **BROIL** **HIGH-LOW** again, to change to Broil low mode.
3. Enter the desired cooking time with the number keys.
4. Touch **START / ENTER** +30 seconds to start operation.

Note: Always use a broil pan when cooking in Broil mode.

Opening the appliance door during operation

Opening the appliance door during operation will interrupt the current mode. When you close the appliance door, operation will be resumed.

Cancel operation

Touch **CLEAR / OFF** to cancel the active oven mode. The appliance turns off and the clock is displayed.

The cooling fans may continue to run for awhile and then switch off automatically.

Setting the Time-Setting Options

Your oven has various time-setting options. You can use the **CLOCK** key to enter the menu and switch between the individual functions.

Operation

Setting the cooking time

The cooking time for your meal can be set on the oven. When the cooking time has elapsed, the oven switches off automatically. This means that you do not have to interrupt other work to switch off the oven. The cooking time cannot be accidentally exceeded.

When the oven starts, the cooking time counts down in the display.

When the cooking time has elapsed, an audible signal sounds and the oven stops heating.

Make sure proper time is set, by following Setting the clock instructions below or on page 11.

Setting the clock

1. Touch **CLOCK**.
2. Enter the correct time using the number keys. Example: To set the clock to 12:41 type in 1 2 4 1.
3. Touch **START/ENTER** +30 seconds to confirm.

Changing the clock

1. Touch **CLOCK** in waiting state.

The actual time will disappear, and then the time will blink in the display.

2. Enter the correct time using the number keys.
3. Touch **START/ENTER** +30 seconds to confirm.

Childproof Lock

The oven has a childproof lock to prevent children switching it on accidentally.

The oven will not react to any settings. The timer and clock can also be set when the childproof lock has been switched on.

Switching on the childproof lock

Requirement: No cooking time should be set.

Touch and hold the **PANEL LOCK** key for approximately 3 seconds.

The lock symbol appears in the display. The childproof lock is activated.

Switching off the childproof lock

Touch and hold the **PANEL LOCK** key for approximately 3 seconds.

The lock symbol on the display goes out. The childproof lock is deactivated.

Childproof lock with other cooking operations

When other cooking programmes have been set, the childproof lock is not operational.

Operation

Expert Cooking Guide

The charts can be used as a guide. Follow package or recipe directions.

Broil

Place pan of food on the wire rack with the recess facing up.

Food	Oven temperature	Cooking time (minutes)	Internal temperature	Cooking tips / Procedure
Hamburgers, 3/4" to 1", medium	High	Side 1: 9 - 11 Side 2: 10 - 12	160°F (71°C)	Use pan that allows fat to drain away from the food. High fat meat causes more spattering.
Lamb chops, 1", medium	High	Side 1: 9 - 11 Side 2: 10 - 12	160°F (71°C)	Use pan that allows fat to drain away from the food. Slit fat to prevent curling.
Sausage, fresh	High	Side 1: 9 - 11 Side 2: 8 - 10	160°F (71°C)	Use pan that allows fat to drain away from the food.
Steaks, 3/4" to 1", medium rare	High	Side 1: 9 - 11 Side 2: 10 - 12	145°F (63°C)	Use pan that allows fat to drain away from the food. Slit fat to prevent curling.
Steaks, 3/4" to 1", medium	High	Side 1: 9 - 11 Side 2: 10 - 12	160°F (71°C)	Use pan that allows fat to drain away from the food. Slit fat to prevent curling.
Toasting bread	Low	3 - 5	-	Check at minimum time.
Top browning casseroles	Low	3 - 5	-	Use only metal or glass ceramic dishes such as Corning Ware®

Convection Broil

Place pans of food on the wire rack with the recess facing up.

Food	Oven temperature	Cooking time (minutes)	Internal temperature	Cooking tips / Procedure
Chicken breasts, bone-in	Low	Side 1: 9 - 11 Side 2: 10 - 12	170°F (76°C)	Start breast side down.
Fish filets, 3/4" to 1"	Low	11 - 15	145°F (63°C)	No turning of fish. Turn thin ends under. Brush with olive oil or butter to prevent sticking.

Convection

Preheat the oven before adding foods. Once the oven is preheated, place the food in the oven quickly to minimize loss of heat. Place pans of food on the wire rack with the recess facing down.

Food	Oven temperature	Cooking time (minutes)	Cooking tips / Procedure
Biscuits	350°F (175°C)	13 - 20	A dark or dull baking sheet will result in a browner, crisper crust.
Cake, 13"x9"	350°F (175°C)	23 - 28	For a tender, light golden brown crust, use light, shiny metal bakeware.
Cookies	350 - 375°F (175 - 190°C)	8 - 14	A dark or dull baking sheet will result in a browner, crisper crust.
Cornbread	425 - 450°F (220 - 230°C)	25 - 30	Use a square baking pan.
Cupcakes	350°F (175°C)	18 - 21	Ideal for ready-made mixes. Prepare according to package directions.
Dinner rolls	400°F (205°C)	12 - 18	Use with fresh or frozen dinner rolls.

Operation

Fresh fruit pie	375°F (190°C)	50 - 60	A dark or dull baking pie pan will result in a browner, crisper crust.
Muffins	400°F (205°C)	10 - 18	Ideal for ready-made mixes. Prepare according to package directions.
Roasted vegetables	425 - 450°F (220 - 230°C)	15 - 20	Use dark or dull metal pan. Stir once.
Shortcakes	450°F (230°C)	10 - 18	Best for individual shortcakes. Use dark coated pan.

Cooking vegetables in your microwave

- Vegetables should be washed just before cooking. Rarely is extra water needed. If dense vegetables such as potatoes or carrots are being cooked, add about ¼ cup of water.
- Small vegetables (sliced carrots, peas, lima beans, etc.) will cook faster than larger vegetables.
- Whole vegetables, such as potatoes, acorn squash or corn on the cob, should be arranged in a circle on the turntable before cooking. They will cook more evenly if turned over halfway through cooking.
- Always place vegetables like asparagus and broccoli with the stem ends pointing towards the edge of the dish and the tips toward the center.
- When cooking cut vegetables, always cover the dish with a lid or vented microwavable plastic wrap.
- Whole, unpeeled vegetables such as potatoes, sweet potatoes, squash, eggplant, etc., should have their skin pricked in several locations before cooking to prevent them from bursting.
- For more even cooking, stir or rearrange whole vegetables halfway through the cook time.
- Most of the time, the denser the food, the longer the required standing time. For example, a baked potato should stand for 5 minutes before serving, while a dish of peas may be served immediately.

Cooking seafood in your microwave

Be sure to place fish on a microwave-safe roasting rack in a microwave-safe dish. Be sure to always cook fish until it flakes easily with a fork. Use a tight cover to steam fish; a lighter cover of wax paper or paper towel provides less steaming. Make sure to not overcook fish; check if ready at the minimum cooking time before cooking longer.

Seafood	Power level	Cook time	Directions
Fish steaks up to 1½ lbs	medium high (7)	7–11 min. /lb	Arrange fish on roasting rack with meaty portions towards the outside of rack. Cover with wax paper. Turn over and rearrange halfway through cook time. Cook until fish flakes easily with fork. Let stand 3–5 mins.
Fish fillets up to 1½ lbs.	medium high (7)	7–11 min. /lb	Arrange fillets in a baking dish, turning any thin pieces under. Cover with wax paper. If over ½ inch thick, turn over and rearrange halfway through cook time. Cook until fish flakes easily with fork. Let stand 2–3 mins.
Shrimp up to 1½ lbs.	medium high (7)	7–11 min. /lb	Arrange shrimp in a baking dish without overlapping or layering. Cover with wax paper. Cook until firm and opaque, stirring 2 or 3 times. Let stand 5 mins.

Cooking eggs in your microwave

Never cook eggs in the shell and never warm hard-cooked eggs in the shell; they can explode.

- Always pierce yolk on whole eggs to keep them from bursting.
- Cook eggs just until set; they will become tough if overcooked.
- Cooking scrambled eggs is safe.

Heating food

Risk of scalding

There is a possibility of delayed boiling when a liquid is heated. This means that the liquid reaches boiling temperature without the usual steam bubbles rising to the surface. Even if the container only moves a little, the hot liquid can suddenly boil over and spatter. When heating liquids, always place a spoon in the container. This will prevent delayed boiling.



Operation

Acrylamide in Foodstuffs

Which foods are affected?

Acrylamide is mainly produced in grain and potato products that are heated to high temperatures, such as potato crisps, chips, toast, bread rolls, bread, fine baked goods (biscuits, gingerbread, cookies).

Area	Tips for keeping acrylamide to a minimum when preparing food
General	Keep cooking times to a minimum. Cook meals until they are golden brown, but not too dark. Large, thick pieces of food contain less acrylamide.
Baking biscuits Oven chips	Max. 200 °C in Top/bottom heating or max. 180 °C in convection mode. Max. 190° C in Top/bottom heating or max. 170 °C in convection mode. Egg white and egg yolk reduce the formation of acrylamide. Distribute thinly and evenly over the baking tray. Cook at least 400 g at once on a baking tray so that the chips do not dry out.

Energy and Environment Tips

Here you can find tips on how to save energy when baking and roasting, and how to dispose of your appliance properly.

Saving energy

- Only preheat the oven if this is specified in the recipe or in the operating instruction tables.
- Use dark, black lacquered or enamelled baking tins. They absorb the heat particularly well.
- Open the oven door as infrequently as possible while you are cooking, baking or roasting.
- It is best to bake several cakes one after the other. The oven is still warm. This reduces the baking time for the second cake. You can also place two loaf tins next to each other.
- For longer cooking times, you can switch the oven off 10 minutes before the end of the cooking time and use the residual heat to finish cooking.

Environmentally friendly disposal

Dispose of packaging in an environmentally friendly manner.

Care and Cleaning

With care and regular cleaning your microwave oven will retain its looks and remain functioning properly. We will explain here how you should care for and clean your appliance correctly.

Risk of electric shock

Penetrating moisture may cause an electric shock. Do not use any high-pressure cleaners or steam cleaners.

Risk of burns

Never clean the appliance immediately after switching off. Let the appliance cool down.

Risk of serious damage to health

Microwave energy may escape if the cooking compartment door or the door seal is damaged. Never use the appliance if the cooking compartment door or the door seal is damaged. Contact customer service.

Cleaning agents

To ensure that the different surfaces are not damaged by using the wrong cleaning agent, observe the information in the table. Do not use:

- sharp or abrasive cleaning agents.
- metal or glass scrapers to clean the glass in the appliance door.
- metal or glass scrapers to clean the door seal.
- hard scouring pads and sponges.
- cleaning agents with high concentrations of alcohol.

Wash new sponge cloths thoroughly before use.

Allow all surfaces to dry thoroughly before using the appliance again.

Notes

Slight differences in colour on the front of the appliance are caused by using different materials, such as glass, plastic and metal.

- Shadows on the door panel which look like streaks, are caused by reflections made by the oven light.
- Unpleasant odours, e.g. fish after being prepared, can be removed very easily. Add a few drops of lemon juice to a cup of water. Place a plastic spoon into the container as well, to prevent delayed boiling. Heat the water for 1 to 2 minutes at maximum microwave power.

Area	Directions
Appliance front	Hot soapy water: Clean with a dish cloth and dry with a soft cloth. Do not use glass cleaners or metal or glass scrapers for cleaning.
Appliance front with stainless steel	Hot soapy water: Clean with a dish cloth and dry with a soft cloth. Remove flecks of limescale, grease, starch and albumin (e.g. egg white) immediately. Corrosion can form under such residues. Special stainless steel cleaning agents can be obtained from specialist shops. Do not use glass cleaners or metal or glass scrapers for cleaning.
Cooking compartment	Hot soapy water or a vinegar solution: Clean with a dish cloth and dry with a soft cloth. If the oven is very dirty: do not use oven spray or other aggressive oven cleaners or abrasive materials. Scouring pads, rough sponges and pan cleaners are also unsuitable. These items scratch the surface. Allow the interior surfaces to dry thoroughly.
Recess in cooking compartment	Damp cloth: Ensure that no water seeps through the turntable drive into the appliance interior.
Wire racks	Hot soapy water: Clean using stainless steel cleaning agent or in the dishwasher.
Door panels	Glass cleaner: Clean with a dish cloth. Do not use a glass scraper.
Seal	Hot soapy water: Clean with a dish cloth, do not scour. Do not use a metal or glass scraper for cleaning.

Care and Cleaning

WARNING:



Be sure the entire appliance has cooled and grease has solidified before attempting to clean any part of the appliance.

Cleaning Guide

- For best performance and for safety reasons, keep the oven clean inside and outside. Take special care to keep the inner door panel and oven front frame free of food and grease build-up.
- Never use abrasive scouring powder or pads on the microwave. Wipe the microwave oven inside and out with a soft cloth and warm (not hot) mild detergent solution. Then rinse and wipe completely dry.
- Wipe spatters immediately with a wet paper towel, especially after cooking greasy foods like chicken or bacon.
- Clean your microwave oven weekly or more often, if needed.
- Never operate the microwave oven without food in the oven cavity, unless pre-heating with Convection, Pizza, Frozen Foods and Keep Warm mode; this can damage the magnetron tube or ceramic plate. You may wish to leave a cup of water standing inside the oven when it is not in use to prevent damage if the oven is accidentally turned on.

Part	Recommendations
Oven cavity	<p>Keep inside (cavity) of the oven clean. Food particles and spilled liquids can stick to the oven walls, causing the oven to work less efficiently.</p> <p>Wipe up spills immediately. Use a damp, clean cloth and mild soap. DO NOT use harsh detergents or abrasive cleaners.</p> <p>To help loosen baked-on food particles or liquids, heat 2 cups of water (add the juice of 1 lemon if you desire to keep the oven fresh smelling) in a 4-cup measuring glass at High power for 5 minutes or until boiling. Let stand in oven cavity for 1 or 2 minutes.</p> <p>For baked-on grease spatters, wash with hot, soapy water, rinse and dry.</p>
Wire rack	Wash with soapy water. Rinse thoroughly and dry, or gently rub with cleansing powder or soap-filled pads as directed. The wire rack can also be washed in the dishwasher.
Metal turntable	<p>Remove metal turntable from the oven when cleaning the oven cavity and tray.</p> <p>Wash the metal turntable in warm sudsy water or in the dishwasher.</p>
Ceramic plate	Clean with warm, soapy water or in the dishwasher.
Door seal	Wipe with damp cloth.
Door glass	<p>Wash with soap and water or glass cleaner. Apply Fantastik® or Formula 409® to a clean sponge or paper towel and wipe clean. Avoid using powder cleaning agents, steel wool pads and oven cleaners.</p> <p>If steam accumulates inside or outside the oven door, wipe with a soft cloth. Steam can accumulate when operating the oven in high humidity and in no way indicates microwave leakage.</p>
Painted surfaces	Clean with hot soapy water or apply Fantastik® or Formula 409® to a clean sponge or paper towel and wipe clean. Avoid using powder cleaning agents, steel wool pads and oven cleaners.
Stainless steel surfaces / exterior surfaces	Always wipe or rub in the direction of the grain. Clean with a soapy sponge, then rinse and dry, or wipe with Fantastik® or Formula 409® spray on a paper towel. Protect and polish with Stainless Steel Magic® and a soft cloth. Remove water spots with a cloth dampened with white vinegar.
Plastic & Controls	When cool, clean with soapy water, rinse and dry.
Printed areas (words & numbers)	Do not use abrasive cleaners or petroleum-based solvents.







Troubleshooting

Malfunctions often have simple explanations. Please refer to the troubleshoot table before calling customer service.

If a meal does not turn out exactly as you wanted, refer to the Expert Cooking Guide section, where you will find plenty of cooking tips and tricks.

Risk of electric shock

Incorrect repairs are dangerous. Repairs may only be carried out by a qualified technician.

Problem	Possible cause	Remedy/information
The appliance does not work.	Faulty circuit breaker.	Look in the fuse box and check that the circuit breaker for the appliance is in working order.
	Plug not plugged in.	Plug in the plug.
	Power cut.	Check whether the kitchen light works.
The appliance does not work.  appears in the display panel.	Childproof lock is active.	Deactivate the childproof lock (see section: Childproof lock).
 is in the display panel.	Power cut.	Reset the clock.
The microwave does not switch on.	Door not fully closed.	Check whether food residue or debris is trapped in the door.
It takes longer than before for the food to heat up in the microwave.	The selected microwave power level is too low.	Select a higher power level.
	A larger amount than usual has been placed in the appliance.	Double the amount = almost double the cooking time.
	The food was colder than usual.	Stir or turn the food during cooking.
Turntable grates or grinds.	Dirt or debris in the area around the turntable drive.	Clean the rollers under the turntable and the recess in the oven floor thoroughly.
A particular operating mode or power level cannot be set.	The temperature, power level or combined setting is not possible for this operating mode.	Choose permitted settings.
 appears in the display panel	The thermal safety switch-off function has been activated.	Call customer service.
 appears in the display panel.	The thermal safety switch-off function has been activated.	Call customer service.
 appears in the display panel.	Moisture in the control panel.	Allow the control panel to dry.
 appears in the display panel.	Rapid heating has failed.	Call customer service.

Please register your product warranty by visiting the Ancona Home website.



Canada & USA

Phone: 1-800-350-4562

Fax: 800-350-8563

Email: service@anconahome.com

Website: www.anconahome.com

Ancona is in association with Mr Appliance for all after sales service calls.
Please contact their service provider or visit their website:

Phone: 1-888-998-2011

Website: www.mrappliance.com



MAAN2710SS-01