



Built-In Oven

AN-2310SS



User Manual and Installation Instructions

IMPORTANT SAFETY INSTRUCTIONS
Carefully read the important information
regarding installation, safety and maintenance.
Keep these instructions for future reference.

MAAN2310SS-03
2023-06-19

Before You Begin

INSTALLERS - Start Here

Safety Instructions are on pages 4 to 5 and Installation Instructions are on pages 6 to 9.

Please perform these steps:

1. Read the safety instructions.
2. Read all instructions in the Installation section of this manual BEFORE installing the appliance.
3. Remove all packing materials from the oven before connecting the gas supply.
4. Observe all governing codes and ordinances.
5. When finished, make sure to leave these instructions with the consumer.
6. Installation is only to be done by a qualified technician, but ultimately proper installation is the responsibility of the installer.
7. Product failure due to improper installation is not covered under the Warranty.



CONSUMERS - Start Here

Safety Instructions are on pages 4 to 5 and Operating Instructions are on pages 10 to 15.

Please perform these steps:

1. Read the safety instructions.
2. Read all instructions in the manual BEFORE operating the appliance.
3. Remove all packing materials from the oven before using.
4. Observe all governing codes and ordinances.
5. Installation is only to be done by a qualified technician, but ultimately proper installation is the responsibility of the installer.
6. Product failure due to improper installation is not covered under the Warranty.



Table of Contents

Before You Begin.....	2
Table of Contents	3
Important Safety Information	4
Installation	6
Included Parts	6
Dimensions	7
Specifications.....	7
Step 1 - Read the Safety Precautions.....	8
Step 2 - Plan Desired Location, Unpack the Appliance and Prepare Tools.....	8
Step 3 - Fitting the Oven into the Cabinet	8
Step 4 - Connection of the oven.....	9
Ventilation Opening	9
Operation.....	10
Product description.....	10
Operation Instructions.....	11
Clock Setting.....	11
Function Setting.....	11
Lamp Setting.....	11
Inquiring Function	11
Child Lock Function	12
Reminder Function.....	12
Reservation Function	12
Start/Pause/Cancel Function	12
Energy-Saving Function.....	13
Shelf placement warning.....	13
Use of rotisserie accessories	13
Cleaning and Maintenance.....	14
Maintenance.....	14
Replacing the Oven Light.....	14
Removing the Oven Door (optional).....	15

Important Safety Information

READ ALL INSTRUCTIONS BEFORE USE

Read and follow all instructions before using your oven to prevent the risk of fire, electric shock, personal injury, or damage when using the appliance. This guide does not cover all possible conditions that may occur. Always contact your service technician or manufacturer about problems that you do not understand.



DANGER: When you see this symbol in the instructions, it indicates a hazardous situation which, if not avoided, could result in death or serious injury.



WARNING: When you see this symbol in the instructions, it indicates a hazardous situation which, if not avoided, could result in minor or moderate injury.

DANGER



- When unpacking the oven, make sure that it has not been damaged in any way. If you have any doubts at all, do not use it: contact a professional qualified person.
- Keep packing materials such as plastic bags, polystyrene, or nails out of the reach of children, they are dangerous to children.
- When the oven is first switched on, it may give off an unpleasant smell. This is due to the bonding agent used for the insulating panels within the oven. Please run the new empty product on the conventional cooking function, 250°C, 90 minutes to clean oil impurities inside the cavity.
- During the first use, the presence of some slight smoke and odors is normal. If it does occur, you merely have wait for the smell to clear before putting food into the oven.

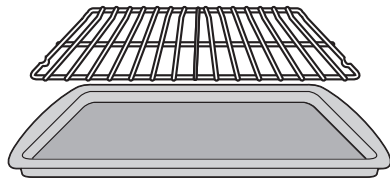
Important Safety Information

WARNINGS

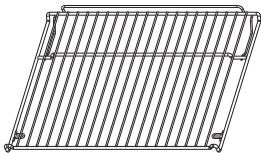
- Do not store or use gasoline, liquid propane cylinder or other flammable vapors and liquids in the vicinity of this or any other appliance.
- Please use the product in an open environment.
- If the surface is cracked, switch off the appliance to avoid the possibility of electric shock.
- Do not repair or replace any part of the appliance unless specifically recommended in this manual. All other servicing should be done only by a qualified technician. This may reduce the risk of personal injury and damage to the appliance.
- The appliance and its accessible parts become hot during use. Care should be taken to avoid touching heating elements.
- The means for disconnection must be incorporated in the fixed wiring, in accordance with the wiring specifications.
- An all-pole disconnection means must be incorporated in the fixed wiring, in accordance with the wiring rules.
- Ensure that the appliance is switched off before replacing the oven lamp to avoid the possibility of electric shock.
- If the supply cord is damaged, it must be replaced by the manufacturer, its service agent or similarly qualified persons in order to avoid a hazard.
- Disconnect power before servicing.
- Never modify or alter the construction of the appliance by removing panels, wire covers or any other part of the product.
- Injuries may result from the misuse of appliance doors such as stepping, leaning, or sitting on the doors.
- Children less than 8 years of age shall be kept away unless continuously supervised.
- This appliance can be used by children aged from 8 years and above and persons with reduced physical, sensory or mental capabilities, or lack of experience and knowledge, if they have been given supervision or instruction concerning use of the appliance in a safe way, and understand the hazards involved.
- Children should be supervised to ensure that they do not play with the appliance.
- Cleaning and user maintenance shall not be made by children without supervision.
- Do not allow children to go near the oven when it is operating, especially when the grill is on.
- Flammable materials should not be stored on the appliance or near surface units. This includes paper, plastic and cloth items, such as cookbooks, plastic ware and towels, as well as flammable liquids. Do not store explosives, such as aerosol cans, on or near the appliance. Flammable materials may explode and result in fire or property damage.
- **Maintenance:** Keep appliance area clear and free from combustible materials, gasoline, and other flammable vapors and liquids.
- **Storage in or on the appliance:** Flammable materials should not be stored in an oven or near surface units.
- Do not use harsh abrasive cleaners or sharp metal scrapers to clean the oven door glass. They can scratch the surface, which may result in shattering of the glass.
- Only use the temperature probe recommended for this oven.
- Do not use a steam cleaner.
- The appliances are not intended to be operated by means of an external timer or separate remote-control system.
- The instructions for ovens that have shelves shall include details indicating the correct installations of the shelves.
- Do not use the oven unless you are wearing something on your feet. Do not touch the oven with wet or damp hands or feet.
- Oven door should not be opened often during the cooking period.
- The appliance must be installed by an authorized technician and put into use. The manufacturer is not responsible for any damage that might be caused by defective placement, and installation by unauthorized personnel.
- When the door or drawer of oven is open, do not leave anything on it, you may unbalance your appliance or break the door.
- Some parts of appliance may keep its heat for a long time; it is required to wait for it to cool down before touching the areas that are exposed to the heat directly.
- If you will not use the appliance for a long time, it is advised to plug it off.

Installation

Included Parts

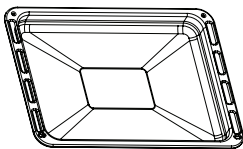


Grill set = Wire shelf + Universal pan



Wire shelf

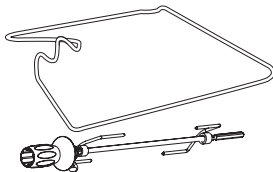
For grill, dishes, cake pan with items for roasting and grilling.



Universal pan

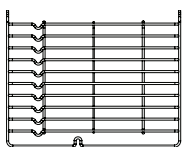
For cooking large quantities of food such as moist cakes, pastries, frozen food etc., or for collecting fat/spillage and gravy.

Note: Please place the pan under the shelf. Do not use pan or shelf under barbecue function with bottom heater to prevent heat gathering at bottom.



Rotisserie Skewer

The average speed of the motor heats the food evenly.



Slider bracket

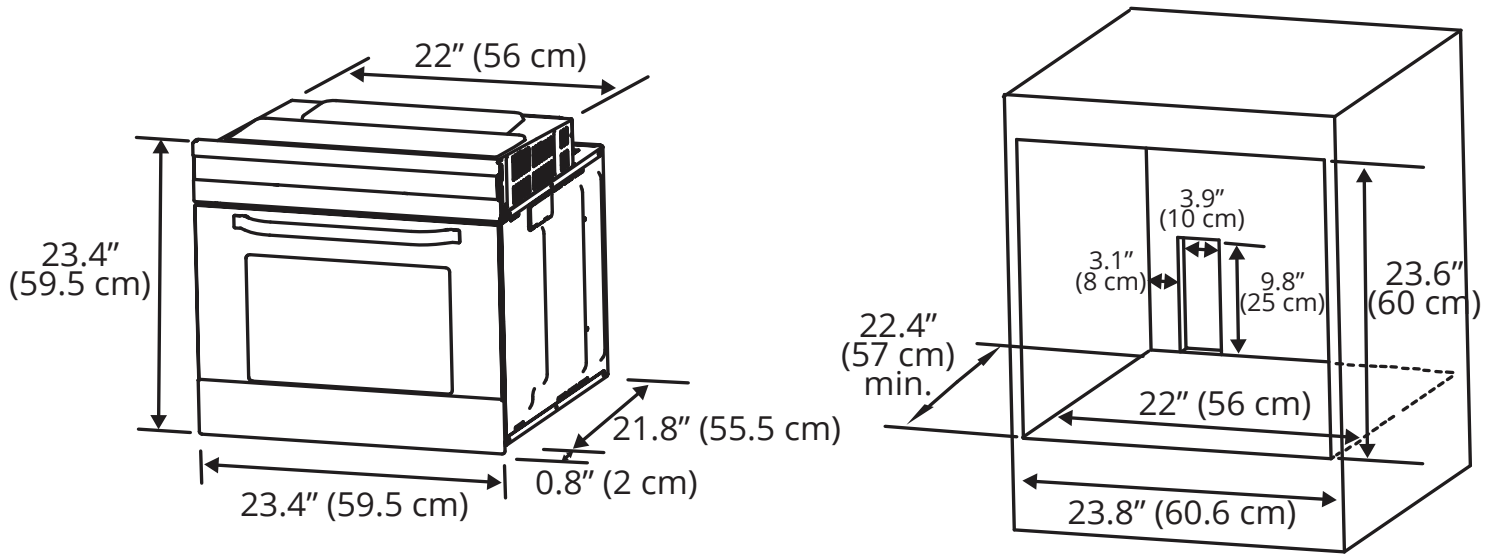
For cooking larger size food. The left and right sides of the oven shelf support rack can be removed.



2 Screws

Installation

Dimensions



1. Only plus deviations are admissible for all dimensions.
2. The cabinet does not include the power switch or socket.

Specifications

Rated Voltage	240V
Watts	3000W
Hertz	60Hz
Amperage	13.58A

Installation

STEP 1

Read the Safety Precautions

Please read the safety precautions on pages 4 to 5. Safety instructions pertaining to each step have been outlined in the installation steps; however it is important to read **ALL** the safety instructions.

IMPORTANT: It is the installer's responsibility to comply with installation clearances.

STEP 2

Plan Desired Location, Unpack the Appliance and Prepare Tools

Plan a desirable location that fits all requirements in the Safety and Install sections of this manual. Unpack the appliance and parts carefully. Make sure all parts are included as shown on page 6 and set aside. **DO NOT** remove the protective film covering the appliance.

WARNINGS: 

- Extremely Heavy.
- Proper equipment and adequate manpower when move the appliance to avoid personal injury or damage to the unit or the floor. The unit is heavy and rests on adjustable steel legs.
- Failure to follow this advice may result in damage or personal injury.

WARNING: 

DO NOT LIFT THE UNIT BY THE OVEN DOOR HANDLE.

STEP 3

Fitting the Oven into the Cabinet

1. Assemble the supporting cabinet following dimensions on page 7.
2. Before installation, please check if the power socket is grounded and the cabinet size meets the installation requirements.
3. Insert the oven at the designated location and install it in an upright cabinet.
4. Open the oven door and locate the two installation holes on the frame. Fix the oven at the desired position with the provided screws.

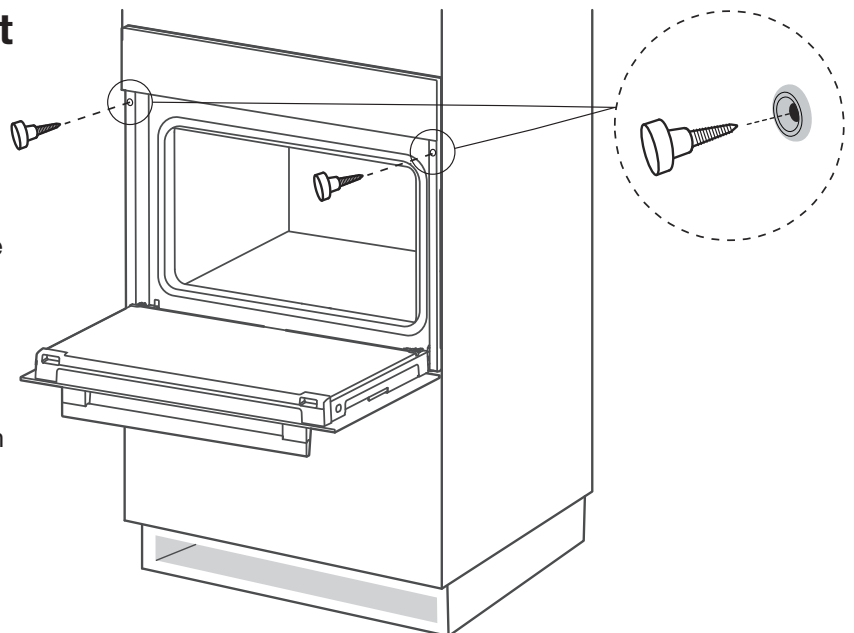


Figure 1

Installation

IMPORTANT

The kitchen housing must be suitable for the oven is to work properly.

- The panels of the kitchen unit next to the oven must be made of a heat resistant material. Ensure that the glues of units made of veneered wood can withstand temperatures of at least 120 °C. Plastics or glues that cannot withstand such temperatures will melt and deform the unit.
- Once the oven has been lodged inside the units, the electrical parts must be completely insulated. This is a legal safety requirement. All guards must be firmly fixed into place, so that it is impossible to remove them without using special tools.
- Remove the back of the kitchen unit to ensure an adequate current of air circulates around the oven. The hob must have a rear gap of at least 45 mm.

STEP 4

Connection of the oven

- Connect plug to power outlet.

Ventilation Opening

When cooking is finished or in pause state or in waiting state, if the oven's center temperature is over 167°F, the cooling fan will continue working for 15 minutes. If the oven's center temperature is below 167°F, the cooling fan will stop in advance.

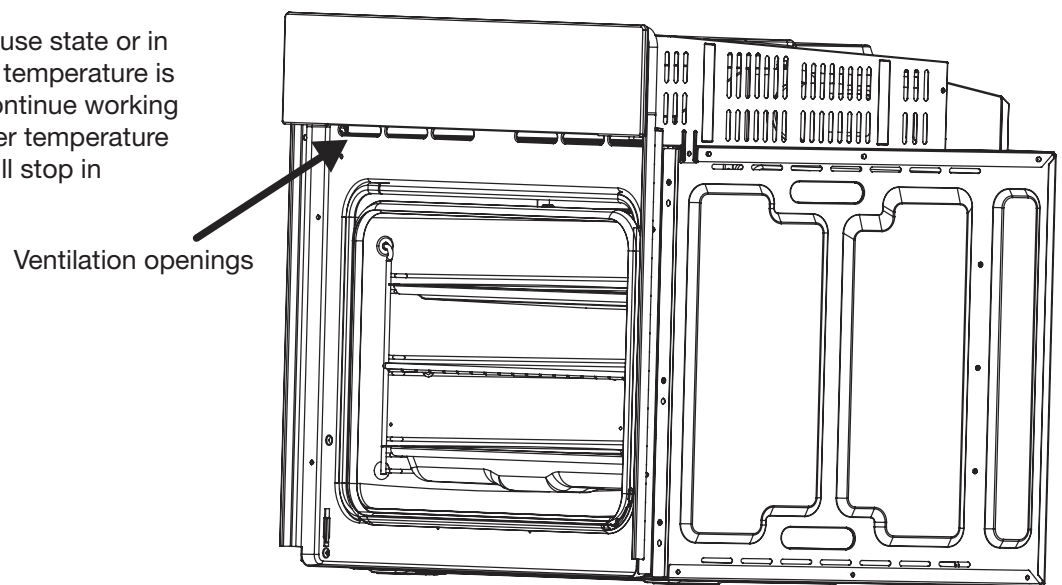
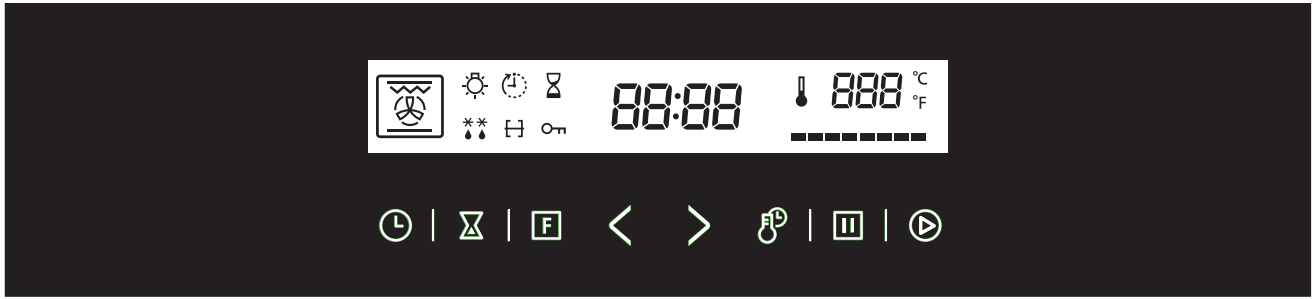


Figure 2

Operation

Product description



Oven Lamp: enables the user to observe the progress of cooking without opening the door. Oven lamp will light for all cooking functions.



Defrost: The circulation of air at room temperature enables quicker thawing of frozen food, without the use of any heat. It's a gentle but quick way to speed up the defrosting time and thawing of ready-made dishes and cream filled produce, etc.



Bottom heater: A concealed element in the bottom of the oven provides heat. It is mainly used for keeping food warm.

The temperature can be set within the range of 140-250°F. The default temperature is 140°F.



Conventional cooking: The top and bottom work together to provide convectional cooking. The temperature can be set within the range of 120-480°F. The default temperature is 430°F.

This is an optional function that can work with rotisserie motor.



Convection with fan: Combination of the fan and both heating elements provides more even heat penetration, saving up to 30-40% of energy. Dishes are lightly browned on the outside and still moist on the inside. Note: This function is suitable for grilling or roasting big pieces of meat at a higher temperature. The temperature can be set within the range of 120-480°F.

The default temperature is 430°F.



Radiant grilling: The inner grill element switches on and off to maintain temperature. The temperature can be set within the range of 360-470°F.

The default temperature is 410°F.

This is an optional function that can work with rotisserie motor.



Double grilling: The inside radiant element and top element are working. The temperature can be set within the range of 360-470°F.

The default temperature is 410°F.

This is an optional function that can work with rotisserie motor.



Double grilling with fan: The inside radiant element and top element are working with fan.

The temperature can be set within the range of 360-470°F.

The default temperature is 410°F.



Convection: An element around the convection fan provides an additional source of heat for convection style cooking. In convection mode the fan automatically turns on to improve air circulation within the oven and creates an even heat for cooking.

The temperature can be set within the range of 120-470°F.

The default temperature is 360°F.

Operation

Operation Instructions

Clock Setting

After connecting the unit to the power, the symbols “ 0:00 ” will be visible on the display.

1. Press “Ⓒ”, the hour figures flash.
2. Press “<>” to adjust the hour figures, (time should be within 0--23).
3. Press “Ⓒ”, the minute figures flash.
4. Press “<>” to adjust the minutes setting, (time should be within 0--59).
5. Press “Ⓒ” to finish the clock settings. “ : ” flashes, and the time will be illuminated.

Note: The clock is 24 hours. After power on, if not set, the clock will show “ 0:00 ”.

Function Setting

1. Press “F” to choose the cooking function you require. The related indicator will illuminate.
2. Press “<>” to adjust the cooking time and adjust the temperature before pressing “Ⓔ” to switch.
3. Press “Ⓕ” to confirm the start of cooking.
4. If step 2 is ignored, press “Ⓕ” to confirm the start of cooking and the default time is 9 hours. The default temperature will display on the LCD.

NOTE:

1. To adjust the time of the setting:

If cooking for 30 minutes or less, press “<>” to increase 1 minute.

If cooking between 30 min and 9 hours, press “<>” to increase 5 minutes.

2. Each adjustment of temperature is 10°F, “Ⓕ” and “* *” can not adjust the temperature.
3. Press “<>” to adjust the cooking time when cooking begins. Then press “Ⓕ” to confirm. If “Ⓕ” is not pressed within 5 seconds, the oven will revert back to the previous time and continue cooking.
4. Press “Ⓔ”, the “Ⓕ” will show, then press “<>” to adjust the temperature when cooking begins. Then press “Ⓕ” to start cooking. If “Ⓕ” is not pressed within a few seconds, the oven will revert back to the previous temperature and continue cooking.

Lamp Setting

1. Press “F” to select the relevant function, then the corresponding icon will turn on.
2. Press “Ⓕ” button to start, “ 0:00 ” and lamp icon “Ⓕ” will light up, “ : ” will flash.

Inquiring Function

In the following modes, you can use inquiring function. After 3 seconds, the oven returns to the current state.

1. During operating mode, if the clock was set, press “Ⓒ” button to see the current time. If the reminder function was set, press button “Ⓕ” to see the time of reminder.
2. In reminding mode, if the clock was set, press “Ⓒ” button to see the current time.
3. In clock display mode, if the reservation function was set, press “Ⓕ” button to see the time of reservation.

Operation

Child Lock Function

To lock: press “▶” and “II” simultaneously for 3 seconds, there will be a long “beeping” sound and the “ON” will be illuminated.

To remove lock: press “▶” and “II” simultaneously for 3 seconds, there will be a long “beeping” sound indicating the child-lock is released.

Note: During working mode, if you want to stop cooking, press stop button quickly. Do not long press the stop button, it is invalid.

Reminder Function

The oven has 9 hours reminder, this function will help remind you to start cooking at a certain time, programmable from 1 minute to 9 hours. The reminder can be set only when the oven in standby mode. Follow below to set the reminder:

1. Press reminder setting button “⌘” and the display shows “⌘” and “AL”.
2. Press “<>” to set the time of reminder.
3. Press “▶” to confirm setting. “:” will flash and the indicator for reminder “⌘” will light. The time will count down.

Note: The oven buzzer will sound 10 times after the time reaches the zero hour. “⌘” symbol disappears from the screen to remind you to start cooking. During setting, you can cancel the reminder by pressing the stop button. After the reminder has been set, you can cancel it by pressing stop button twice.

Reservation Function

Only when the clock has been set, delay function can be used.

In standby mode:

1. Press “⌘” 2 times, the display shows “⌘” and “End”.
2. Press “<>” to set the cooking end time of reservation.
3. Press “⌘” button again.
4. Press “<>” to set the minute of the cooking ending time of reservation.
5. Press “F” to choose the cooking function you require.
6. After setting the cooking time and temperature, press “▶” to start.

Note:

Subtract the cooking time from the cooking ending time, you will get the time that oven starts to cook.

Start/Pause/Cancel Function

1. If the cooking time has been set, press “▶” to start cooking. If the cooking is paused, press “▶” to resume cooking.
2. During cooking process, press “II” once to pause the cooking. Press “II” twice to cancel the cooking.

Operation

Energy-Saving Function

1. In standby mode and reminding function, press “▶” for three seconds, the LCD display will go off and set to energy-saving mode.
2. If there is no operation in 10 minutes on standby mode, the LCD display will go off and go into energy-saving mode.
3. Under the energy-saving mode, press any key to quit the energy-saving mode.

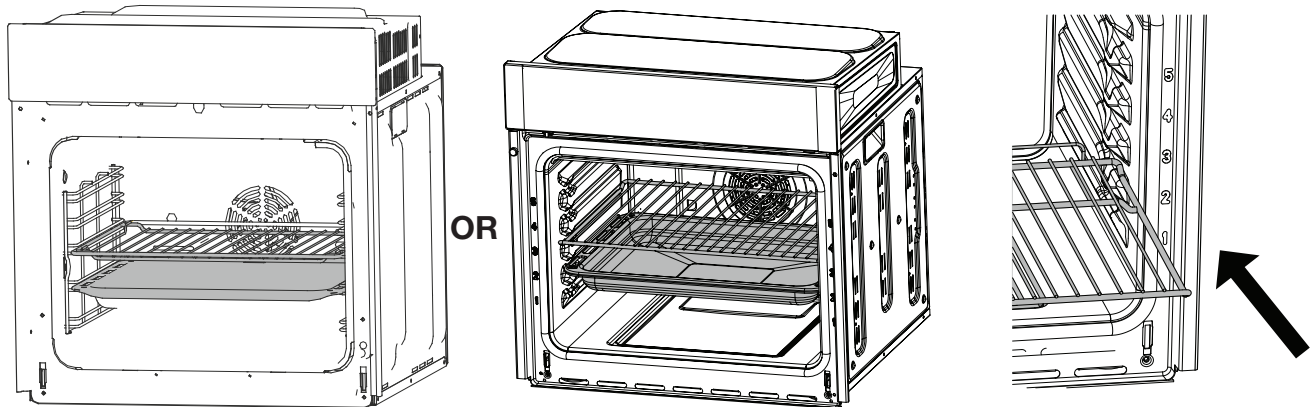
Note:

1. The oven lamp will be on for all functions.
2. Once the cooking program has been set, if the “▶” button is not pressed within 5 minutes, the current time will be displayed or turn back to standby mode. The setting program will be invalid.
3. The buzzer will sound once when effectively pressed, if not effectively pressed there will be no response.
4. The buzzer will sound five times to remind you when cooking has finished.

Shelf placement warning

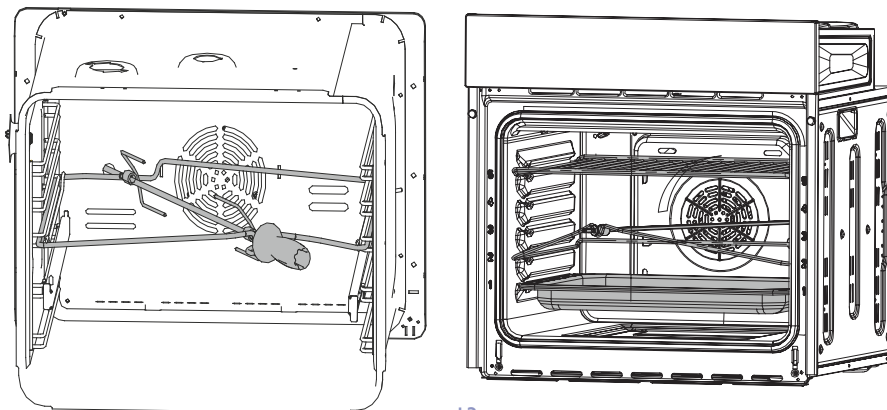
To ensure the oven shelves operate safely, the correct placement of the shelves between the side rail is imperative. Shelves and the pan can only be used between the first and fifth rail.

The shelves should be used in the right direction, it will ensure that during the careful removal of the shelf or tray, hot food items will not slide out.



Use of rotisserie accessories

The rotisserie works in combination with the grill element to heat the food evenly.



Cleaning and Maintenance

For the sake of a good appearance and reliability, keep the unit clean. The modern design of the unit facilitates maintenance to a minimum. The parts of the unit which come into contact with food have to be cleaned regularly.

Before any maintenance and cleaning, disconnect the power.

- Wait until the inside of the unit is not hot but slightly warm. Cleaning is easier when warm.
- Clean the surface of the unit with a damp cloth, soft brush or fine sponge and then wipe dry. In case of heavy soiling, use hot water with non-abrasive cleaning product.
- To clean the glass of the oven door, do not use abrasive cleaners or sharp metal scrapers, these can scratch the surface or lead to the glass being damaged.
- Never leave acidic substances (lemon juice, vinegar) on stainless steel parts.
- Do not use a high pressure cleaner to clean the unit. The baking pans may be washed in mild detergent.

By ensuring this product is disposed correctly, you will help prevent potential negative consequences for the environment and human health, which could otherwise be caused by inappropriate waste handling of this product. The symbol on the product indicates that this product may not be treated as household waste. Instead it shall be handed over to the applicable collection point for the recycling of electrical and electronic equipment. Disposal must be carried out in accordance with local environmental regulations for waste disposal.

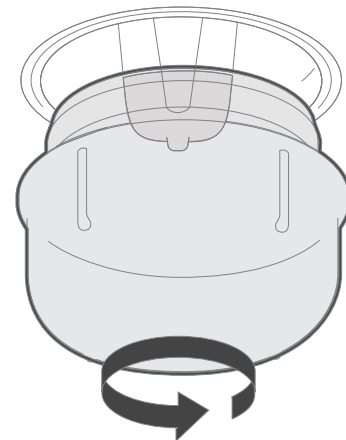
For more detailed information about treatment, recovery and recycling of this product, please contact your local city office, your household waste disposal service or the shop where you purchased the product.

Maintenance

Replacing the Oven Light

For light replacement, proceed as below:

- 1** Disconnect power from the main outlet or switch off the circuit breaker of the unit's mains outlet.
- 2** Unscrew the glass lamp cover by turning it counter-clockwise (note, it may be stiff) and replace the bulb with a new one of the same type.
- 3** Screw the glass lamp cover back in place.



NOTE: Only use 25W/120V-130V, T300°C halogen lamps.

Only replace when oven has cooled.

Maintenance

Removing the Oven Door (optional)

WARNINGS:

- The removable oven door is heavy. You may need help removing and replacing it.
- Be careful when removing and lifting up the door.
- DO NOT lift the door by the handle, but by holding the door on each side.

For normal use, it is not recommended to remove the oven door. Make sure the oven is turned off and cool when replacing the door. The oven door is heavy, be careful when lifting it.

Removable door allows full access to entire interior of the oven for easier and quicker maintenance.

- 1** To remove the door, open the door to the maximum angle. Then pull the buckle at the door hinge backward. See Figure 1.

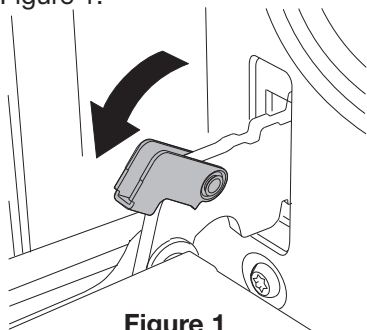


Figure 1

- 2** Close the door to an angle approximately 15°. Lift up and slowly pull the door out from the oven.

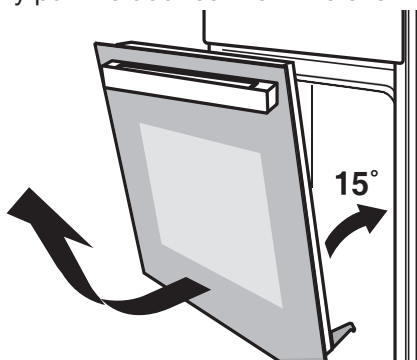


Figure 2

- 3** Place the door flatwise with door top cover towards yourself, put your hands on the glass and pull it towards the oven.



Figure 3

- 4** Separate the glass carefully by lifting it approximately 25°.

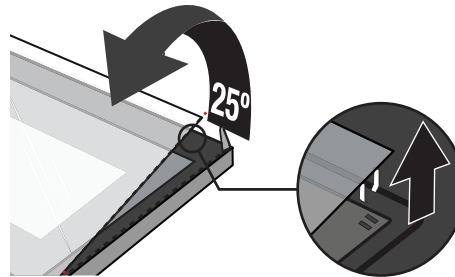


Figure 4

- 5** Push the glass into the position indicated by the arrow in Figure 5. Gently pull the glass out of the socket.

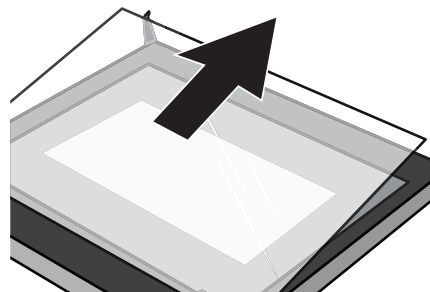


Figure 5

- 6** After pulling out the inner glass, please take out the middle layer glass as shown in Figure 6.

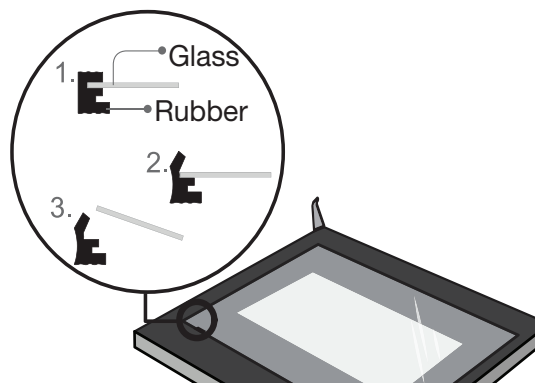


Figure 6

- 7** When cleaning is completed, reverse the above procedures to install the door to its original position.

Please register your product warranty by visiting the Ancona Home website.



Canada & USA

Phone: 1-800-350-4562

Fax: 800-350-8563

Email: service@anconahome.com

Website: www.anconahome.com

Ancona is in association with Mr Appliance for all after sales service calls.
Please contact their service provider or visit their website:

Phone: 1-888-998-2011

Website: www.mrappliance.com



MAAN2310SS-03