

 **ancona**

Wall Range Hood

User Manual and Installation Instructions

IMPORTANT SAFETY INSTRUCTIONS
Carefully read the important information
regarding installation, safety and maintenance.
Keep these instructions for future reference.

MAAN1410-06
2020-11-27

Before You Begin

INSTALLERS - Start Here

Safety Instructions are on pages 4 and 5 and Installation Instructions are on pages 8 to 13.

Please perform these steps:

1. Read the safety instructions.
2. Read all instructions in the Installation section of this manual BEFORE installing the range hood.
3. Remove all packing materials.
4. When finished, make sure to leave these instructions with the consumer.
5. Installation is to be done by a qualified technician only. However, the ultimate responsibility for proper installation falls to the owner.
6. Product failure due to improper installation is not covered under the Warranty.

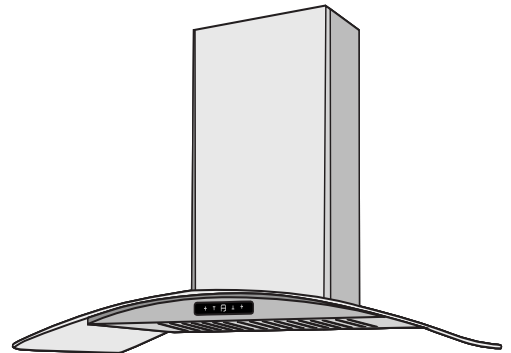


CONSUMERS - Start Here

Safety Instructions are on pages 4 and 5 and Operating Instructions are on pages 14 and 15.

Please perform these steps:

1. Read the safety instructions.
2. Read all instructions in the manual BEFORE operating the range hood.
3. Remove all packing materials.
4. Installation is to be done by a qualified technician only. However, the ultimate responsibility for proper installation falls to the owner.
5. Product failure due to improper installation is not covered under the Warranty.



Hardware Note: For safety reasons, range hood mounting screws and anchors will not be included due to the variation of cabinetry constructions and wall material. Please consult your installation specialist regarding the optimal type of mounting screws and wall anchors to suit your home's construction.

Table of Contents

| | |
|---|----|
| Before You Begin..... | 2 |
| Table of Contents | 3 |
| Important Safety Information | 4 |
| Included Parts | 6 |
| Range Hood Dimensions | 7 |
| Specifications..... | 7 |
| Installation | 8 |
| Step 1 - Read the Safety Instructions..... | 8 |
| Step 2 - Unpack Range Hood and Prepare Tools..... | 8 |
| Step 3 - Plan Desired Location | 8 |
| Step 4 - Test Unit Functions | 8 |
| Step 5 - Venting Installation Guidelines | 9 |
| Step 6 - Measuring | 10 |
| Step 7 - Installing the hood mounting bracket | 10 |
| Step 8 - Venting | 11 |
| Step 9 - Electrical..... | 11 |
| Step 10 - Finishing Installation..... | 12 |
| Step 11 - Install Filters | 13 |
| Operation | 14 |
| Using the Fan..... | 14 |
| Using the Time Delay Function | 14 |
| Turning the Light On or Off..... | 14 |
| Maintenance..... | 15 |
| Replacing the Light Bulbs | 15 |
| Cleaning the Range Hood..... | 15 |

Important Safety Information

READ ALL INSTRUCTIONS BEFORE USE

Read and follow all instructions before using the range hood to prevent the risk of fire, electric shock, personal injury, or damage when using the range hood or appliances with the range hood. This guide does not cover all possible conditions that may occur. Always contact your service technician or manufacturer about problems that you do not understand.

- The installation in this manual is intended for qualified installers, service technicians or persons with a similar qualified background. Installation must be done by qualified professionals and in accordance with all applicable codes and standards, including fire-rated construction.
- The range hood may have very sharp edges; please wear protective gloves if it is necessary to remove any parts for installing, cleaning or servicing.
- Activating any switch to ON position before completing installation may cause damage or electric shock.
- Due to the size of this range hood, a two person installation is recommended.

To reduce the risk of fire, electric shock, or injury to persons:

- For general ventilating use only. **DO NOT** use to exhaust hazardous or explosive materials and vapors.
- **WARNING:** To Reduce The Risk Of Fire Or Electric Shock, Do Not Use This Fan With Any Solid-State Speed Control Device.
- The combustion air flow needed for safe operation of fuel-burning equipment may be affected by this unit's operation. Follow the heating equipment manufacturer's guideline and safety standards such as those published by the National Fire Protection Association (NFPA), and the American Society of Heating, Refrigeration and Air Conditioning Engineers (ASHRAE), and other local code authorities.
- Before servicing or cleaning the unit, switch power off at service panel and lock the service

disconnecting means to prevent power from being switched on accidentally. When the service disconnecting means cannot be locked, securely fasten a prominent warning device, such as a tag, to the service panel.

- Clean grease-laden surfaces frequently. To optimize performance and to disperse air properly, make sure to vent air outside. **DO NOT** vent exhaust into spaces between walls, crawl spaces, ceilings, attics or garages.
- Ducted fans **MUST** always be vented to the outdoors.
- This unit **MUST** be grounded and used with metal ductwork only.
- Sufficient air is needed for proper combustion and exhausting of gases through the duct to prevent back drafting.
- When cutting or drilling into wall or ceiling, be careful not to damage electrical wiring or other hidden utilities.
- All electrical wiring must be properly installed, insulated and grounded.
- Old ductwork should be cleaned or replaced if necessary to avoid the possibility of a grease fire.
- Check all joints on ductwork to ensure proper connection; all joints should be properly taped using a certified aluminum or foil tape.
- Use this unit only in the manner intended by the manufacturer. If you have questions, contact the vendor.

READ AND SAVE THESE INSTRUCTIONS

Important Safety Information

WARNING: TO REDUCE RISK OF A RANGE TOP GREASE FIRE:

- a) Never leave surface units unattended at high settings. Boilovers cause smoking and greasy spillovers that may ignite. Heat oils slowly on low or medium settings.
- b) Always turn range hood ON when cooking at high heat or when flambéing food (i.e. Crepes Suzette, Cherries Jubilee, etc.).
- c) Clean ventilating fans frequently. Grease should not be allowed to accumulate on fan or filter. Before servicing or cleaning unit, unplug and disconnect the hood from the power supply.
- d) Use proper pan size. Always use cookware appropriate for the size of the surface element.

WARNING: TO REDUCE RISK OF INJURY TO PERSONS IN THE EVENT OF A RANGE TOP GREASE FIRE, OBSERVE THE FOLLOWING *

- a) SMOTHER FLAMES with a close-fitting lid, cookie sheet, or metal tray, then turn off the burner. BE CAREFUL TO PREVENT BURNS. If the flames do not go out immediately, EVACUATE AND CALL THE FIRE DEPARTMENT.
- b) NEVER PICK UP A FLAMING PAN - You may be burned.
- c) DO NOT USE WATER, including wet dishcloths or towels - a violent steam explosion will result.
- d) Use an extinguisher ONLY if:
 - 1) You know you have a Class A, B, C extinguisher, and you already know how to operate it.
 - 2) The fire is small and contained in the area where it is started.
 - 3) The fire department is being called.
 - 4) You can fight the fire with your back to an exit.

* Based on "Kitchen Fire Safety Tips" published by NFPA

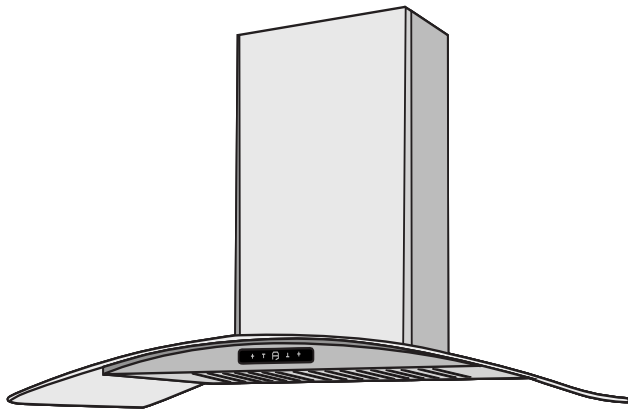
To reduce the risk of injury to persons in the event of a gas leaks:

- Extinguish any open flame.
- DO NOT turn on the lights or any type of appliance.
- Open all doors and windows to disperse the gas. If you still smell gas, call the gas company and fire department.

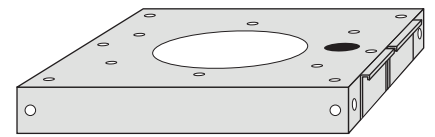
Your safety and the safety of others is very important. We have provided many important safety messages in this manual and on your appliance. Always read and obey all safety messages. All safety messages outline any potential hazards, how to reduce the chance of injury, and possible risks if the instructions are not followed.

READ AND SAVE THESE INSTRUCTIONS

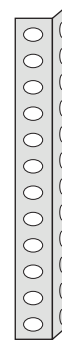
Included Parts



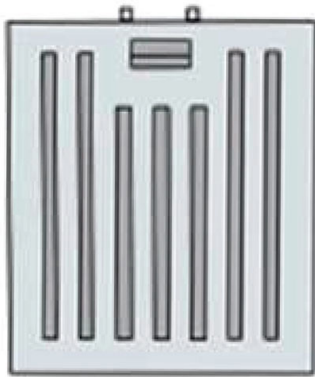
Range Hood



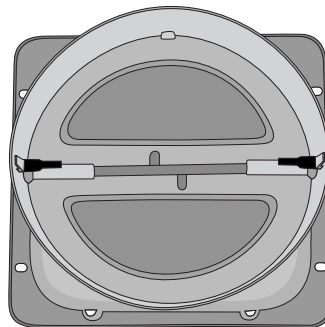
Ceiling Bracket



8pc Angle
Mounting Bracket
23.6 in. (600 mm)



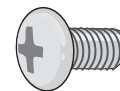
2 x Filters



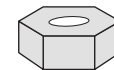
Damper 6 in.



Mounting screws
Ceiling bracket
(20 + 1 pcs)



Mounting screws
angle bracket
(24 + 1 pcs)



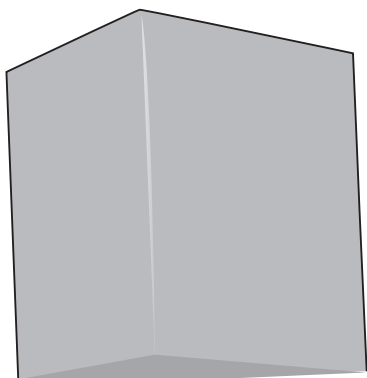
Nuts (24 + 1 pcs)



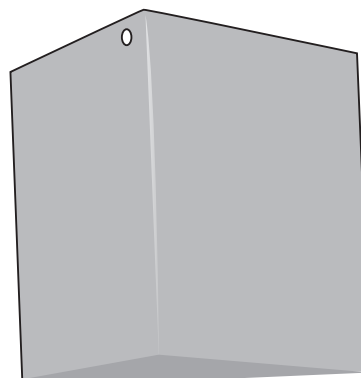
Damper screws
(4 + 1 pcs)



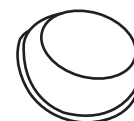
'S' mounting hook
(1 pc)



Lower Chimney



Upper Chimney

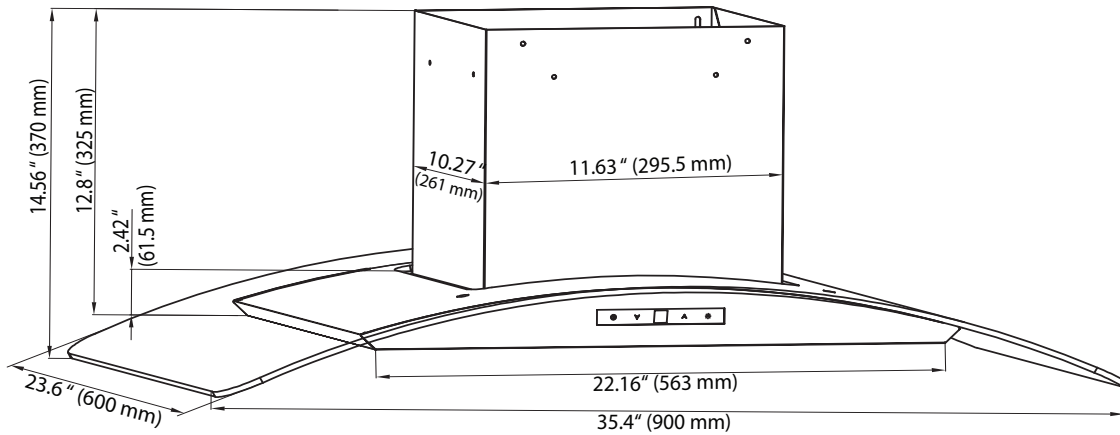


12 pc Rubber pads



Hardware Note: For safety reasons, range hood mounting screws and anchors will not be included due to the variation of cabinetry constructions and wall material. Please consult your installation specialist regarding the optimal type of mounting screws and wall anchors to suit your home's construction.

Range Hood Dimensions



Specifications

| | |
|----------------------|--|
| Body Design | Stainless Steel |
| Power Rating | 120 V / 60 Hz (cETLus Certified) |
| Total Input Power | 472 W |
| Motor Input Power | 460 W |
| Total Amps | 3.8 A |
| Speed Control Levels | 4 Levels |
| Interference Levels | Radio Frequency Interference Protected |
| Motors | Single Motor |
| Control | Electronic Control Panel |
| Filtration | Stainless Steel Filters |
| Illumination | 4 x 3W LED |
| Venting Size | Top Round 6 Inches (152 mm) |

Installation

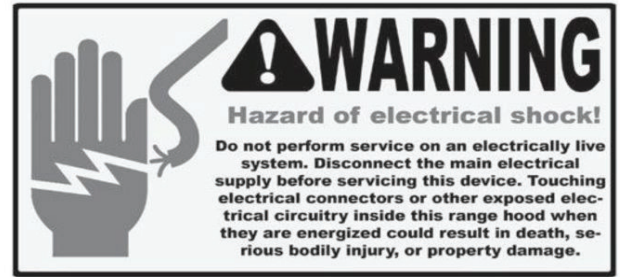
STEP 1

Read the Safety Instructions

- It is very important to read the safety instructions on pages 4 and 5.

IMPORTANT: It is the installer's responsibility to comply with installation clearances.

NOTE: Use threaded drywall anchors only when mounting the hood on sheet rock. Mounting the hood on wall studs or lumbar is highly recommended.



STEP 2

Unpack Range Hood and Prepare Tools

- Carefully unpack the range hood and parts. Make sure all parts are included as shown on page 6.
- DO NOT remove the protective film covering the appliance until the installation is fully completed
- Consult a qualified and trained installer or check local codes for makeup air requirement, if any.

STEP 3

Plan Desired Location

- Plan a desirable location that fits all requirements in the Safety and Installation sections of this manual. Plan where and how the ductwork will be installed.
- A straight or short duct run will allow the unit to perform most efficiently. Long duct runs, elbows and transitions will reduce the performance of the unit. Each elbow is equivalent to 5 to 10 feet of straight run. Proper size duct work should be 6" (152 mm) in diameter.
- **To reach a 9 foot ceiling make sure hood is installed 30 inches from cooking surface. If you have a ceiling greater than 9ft, please visit anconahome.com to order a chimney extension.**
- If ductwork is already installed: ensure ductwork is free from debris and measures 6" (152 mm).
- Only one flange is needed in the air duct system, either on top of the motor (provided) or outside.

STEP 4

Test Unit Functions

- Plug the unit in and test all of the functions before installing.

WARNINGS:

- Please make sure to read ALL safety instructions on pages 4 and 5.
- Use two or more people to move and install range hood.
- Failure to follow these instructions can result in serious injury.

Installation

STEP 5 Venting Installation Guidelines

- The following steps are for exterior ventilation.
- If you require a ductless installation, please visit anconahome.com to purchase a recirculation kit.

WARNINGS:

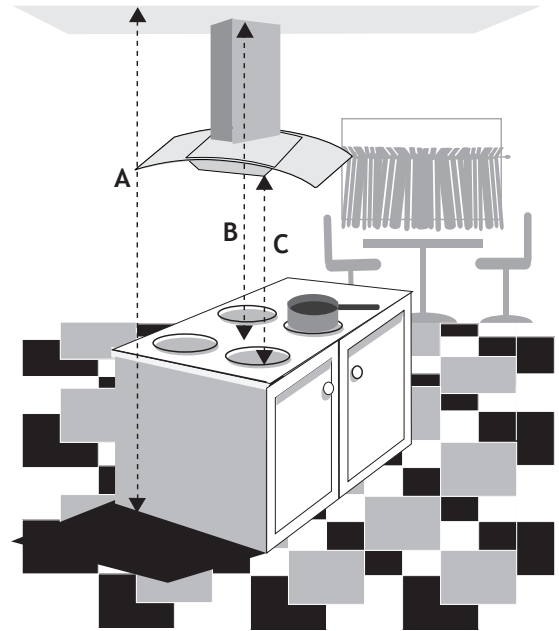
- Please make sure to read ALL safety instructions on pages 4 and 5.
- Use three people to move and install range hood.
- Failure to follow these instructions can result in serious injury.

Height and Clearance

A - Floor to ceiling height

B - Ceiling to cooking surface (center/plumb line height)

C - Cooking surface to bottom of hood height



IMPORTANT:

- Vent system must terminate to the outside (roof or side wall).
- DO NOT terminate the vent system in an attic or other enclosed area.
- DO NOT use 4" (10.2 cm) laundry-type wall caps.
- Use metal/aluminum vent only. A rigid metal/aluminum vent is recommended.
- DO NOT use a plastic vent.
- Always keep the duct clean to ensure proper airflow.
- Calculate the following figures before installation:
 1. Distance from the floor to the ceiling
 2. Distance between the floor and the countertop/stove
 3. A distance of 24" to 30" is recommended between stove top and the bottom of range hood. 30" minimum is required for gas stove tops.
 4. Height of hood and duct cover.

For the most efficient & quiet operation:

- It is recommended that the range hood be vented vertically through the roof through 6" (15.3 cm) or bigger round metal/aluminum vent work.
- The size of the vent should be uniform.
- Use no more than three 90° elbows.
- Make sure there is a minimum of 24" (61 cm) of straight vent between the elbows if more than one elbow is used.
- DO NOT install two elbows together.
- The length of vent system and number of elbows should be kept to a minimum to provide efficient performance.
- The vent system must have a damper. If roof or wall cap has a damper, you may remove damper flaps from damper to increase air flow.
- Only one flange is needed in the air duct system, either on top of the motor (provided) or outside.
- Use silver tape or duct tape to seal all joints in the vent system.
- Use caulking to seal exterior wall or roof opening around the cap.

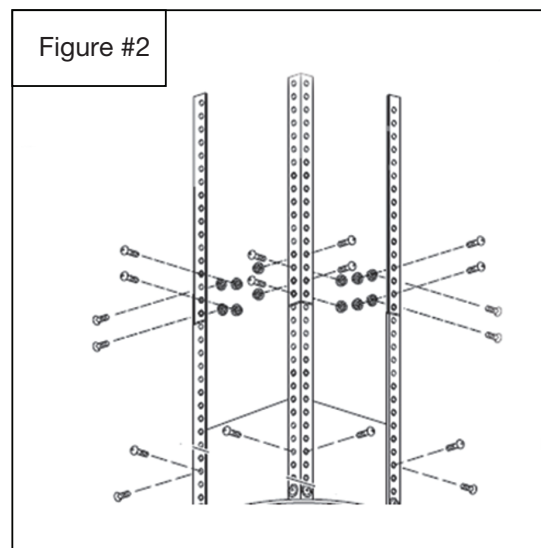
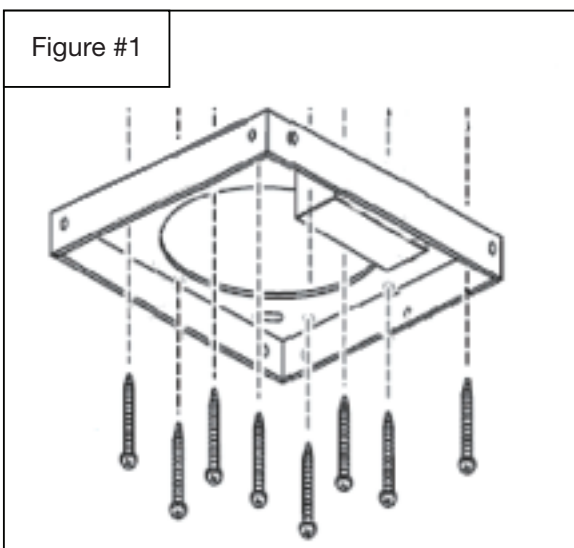
Installation

STEP 6 Measuring

- Measure the distance between stove top and the bottom of the range hood. A distance of 24" to 30" is recommended with a minimum of 30" for gas stove tops.
- To reach 9ft ceiling make sure hood is installed at 30" from cooking surface.
- If you require longer chimney flue to reach your ceiling please visit anconahome.com

STEP 7 Installing the hood mounting bracket

- Determine and mark the center line on the ceiling where the range hood will be installed. Make sure there is proper clearance within the ceiling or wall for exhaust vent.
- The ceiling must be able to bear at least 40 kg (88 lbs.) of weight, and the thickness of the ceiling must be at least 300 mm (1.8").
- Drill 1*170 mm (6.7") round hole in the ceiling.
- Run house electrical wires to the electrical box on the bracket. Black to Black, White to White, and Green to Green or Bare Wires.
- In line with the hanging board, drill 12 holes in the ceiling (See Figure #1).
- Use supplied screws and nuts to attach the angle iron into the hanging board (See Figure #2).
- Calculate the total length of the angle iron required so that the overlap angle iron is no less than 100 mm (39.4") and that the distance from the bottom of the range hood and the cooking surface is between 61 to 76 cm (24" to 30").
- **Attach the 2 sections of the angle iron together for each corner using provided flat screws and nuts.**



Installation

STEP 8 Venting

- Fix the damper into the damper hole on top of the range hood motor box (see Figure #3).
- Let the ducting pipe go inside through the hole from the ceiling (see Figure #4).
- Measure the length of 6" round metal duct required from the damper / duct connector to the ductwork rough-in in the ceiling. Connect the duct to the damper / duct connector and seal with duct tape.

Figure #3

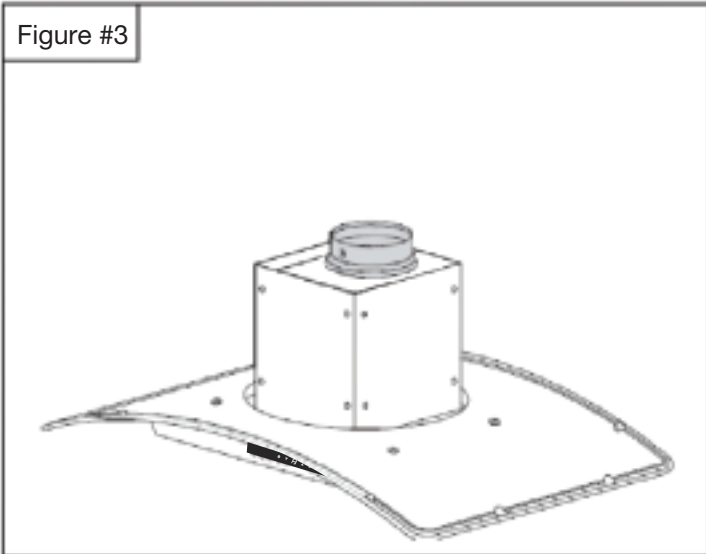
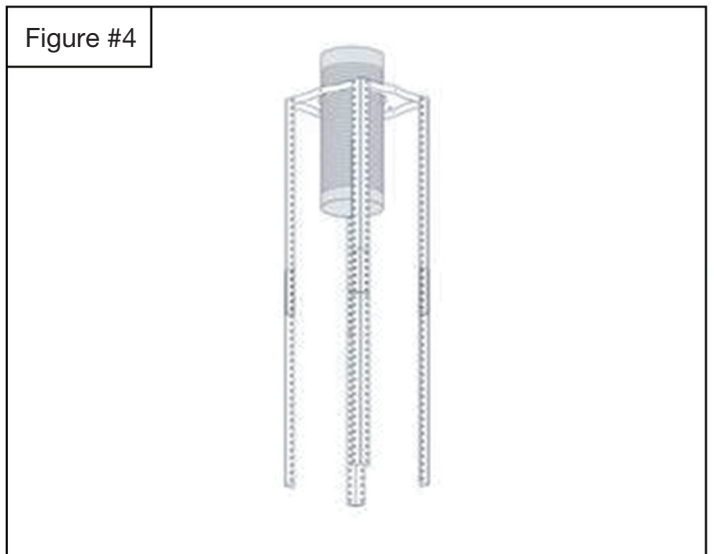


Figure #4



STEP 9 Electrical

- Use the supplied 'S' hook to hold up the chimneys while feeding the electrical wires (see Figure #5).
- Remove the protective coating from the inner chimney. Carefully slide the inner chimney down into the outer chimney. Slide the chimneys over the angle brackets.
- Feed the electrical wires up through the chimneys (see Figure #6).
- Connect the electrical wires to the wiring box on the ceiling bracket.

Figure #5

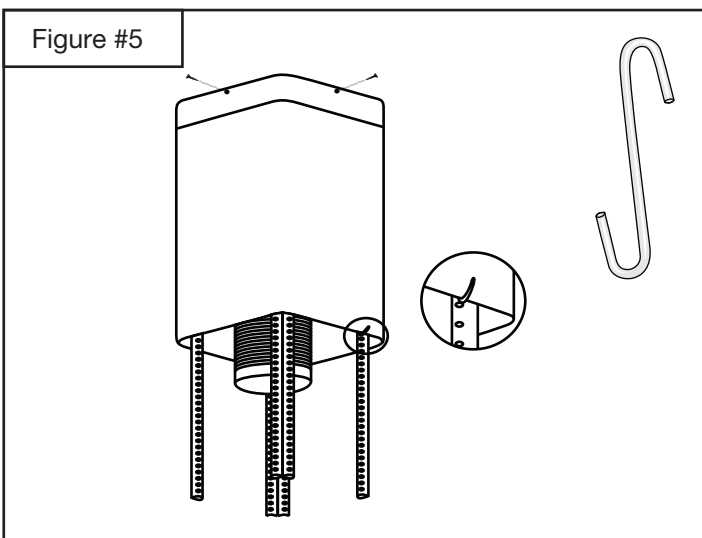
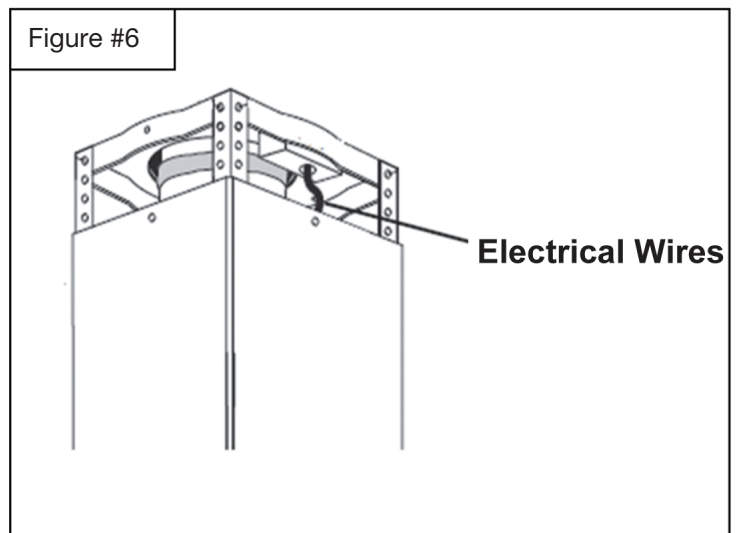


Figure #6

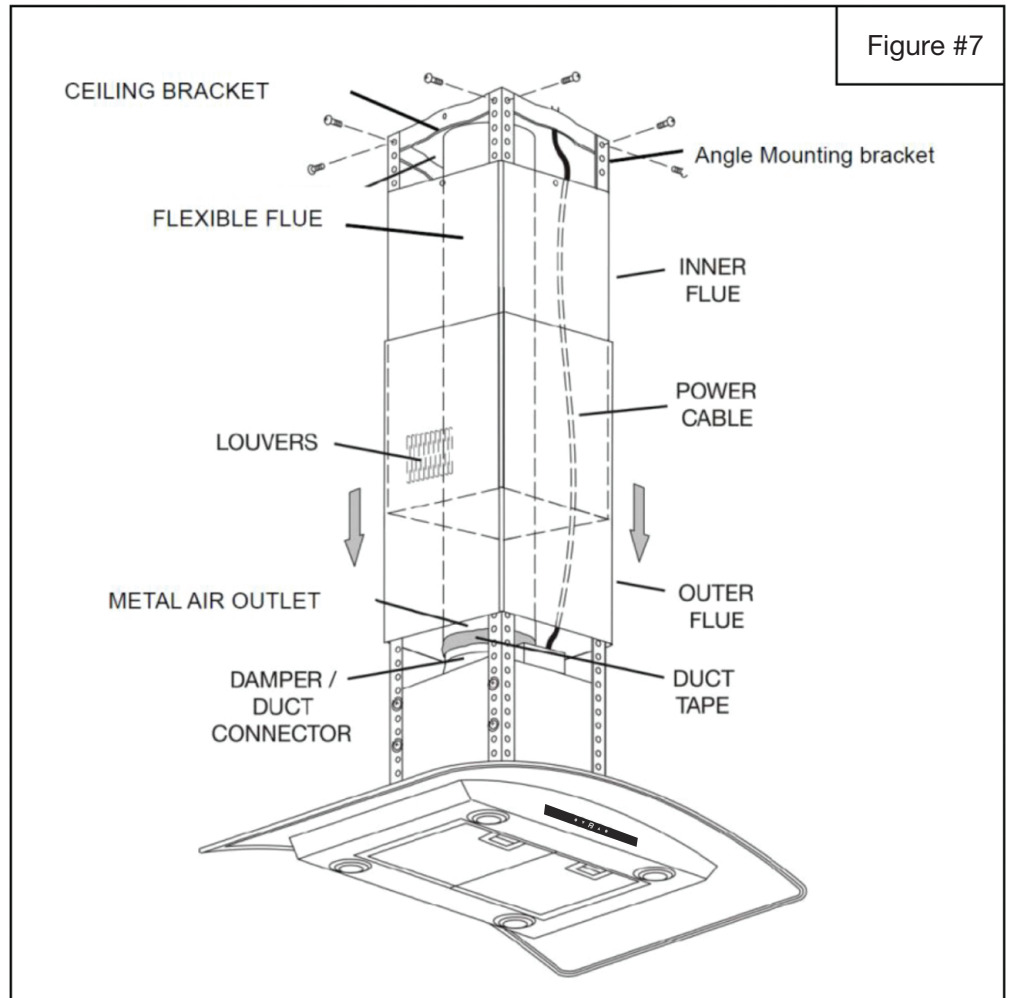


Installation

STEP 10

Finishing Installation

- Slide the inner chimney up to the ceiling and attach it to the ceiling bracket using the screws (see figure #7).
- Remove the protective coating from the hood body and outer chimney.
- Installation is finished.



Installation

IMPORTANT:

- Observe all governing codes and ordinances.
- **It is the customer's responsibility to contact a qualified electrical installer.**
- If codes permit and a separate ground wire is used, it is recommended that a qualified electrician determine that the ground path is adequate. A 120-Volt, 60 Hz, AC-only, fused electrical supply is required on a separate 15-amp circuit, fused on both sides of the line.
- DO NOT ground to a gas pipe.
- Check with a qualified electrician if you are not sure that the range hood is properly grounded.
- DO NOT have a fuse in the neutral or ground circuit.

IMPORTANT: Save this Installation Guide for electrical inspector's use.

GROUNDING INSTRUCTIONS:

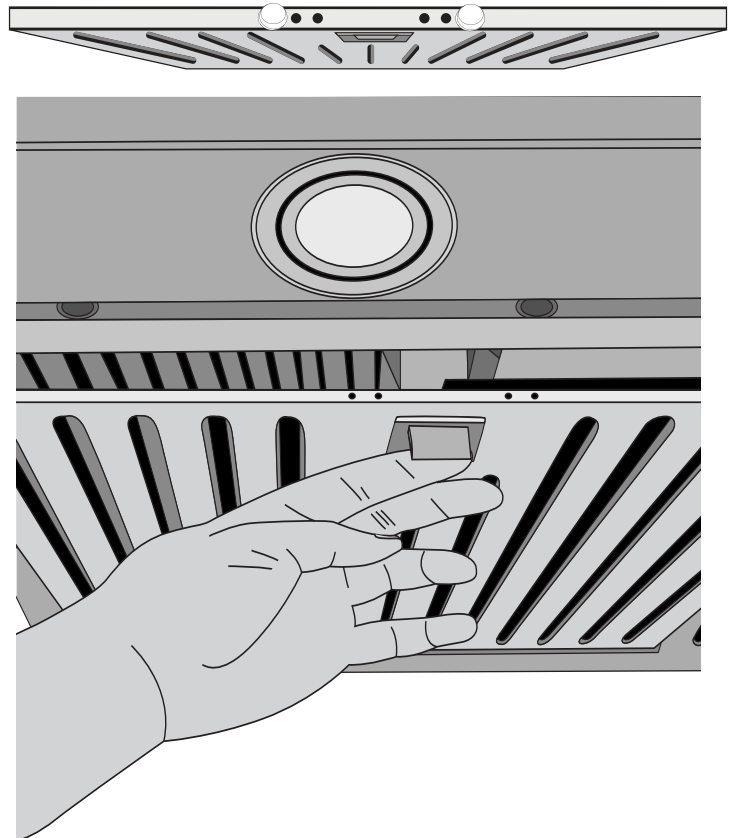
- This appliance must be grounded. In the event of an electrical short-circuit, grounding reduces the risk of electric shock by providing an escape wire for the electric current.
- This appliance is equipped with a cord having a grounding wire with a grounding plug. The plug must be plugged into an outlet that is properly installed and grounded.

WARNING: Improper grounding can result in a risk of electric shock.

- Consult a qualified electrician if the grounding instructions are not completely understood, or if doubt exists as to whether the appliance is properly grounded. DO NOT use an extension cord. If the power supply cord is too short, have a qualified electrician install an outlet near the appliance.

STEP 11 Install Filters

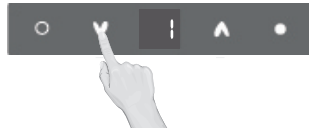
- Place two rubber pads on opposite side of each filter handle.
- Angle the filter into the slots at the back of the hood.
- Open handle on the filter.
- Release the handle once the filter fits into a resting position.
- Repeat to install the other filter.
- The baffle filters channel grease released by cooking foods into the grease trays and prevent flaming foods on the cook top from damaging the inside of the range hood. For this reason, the baffle filters must ALWAYS be installed during range hood use.
- The baffle filters should be cleaned once a month, or as needed. See page 15 for cleaning instructions.



Operation

Using the Fan

- 1 Press **▼** to begin low speed. Screen will display 1.



- Press **▲** to increase speed suction. Screen will display increments as 2, 3, 4.



- Press **▼** again to decrease suction. Screen will display 3, 2, 1, 00.



Turning the Light On or Off

- 1 Press **●** to turn light on and again to turn light off.

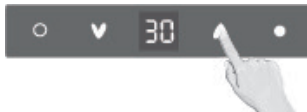


Using the Time Delay Function

- 1 Press **○** to activate the Time Delay Function. Screen will display "15 minutes".



- 2 Press **▲** to increase or **▼** to decrease the time period for the Time Delay Function.



- 3 Press **○** to cancel the Time Delay Function.

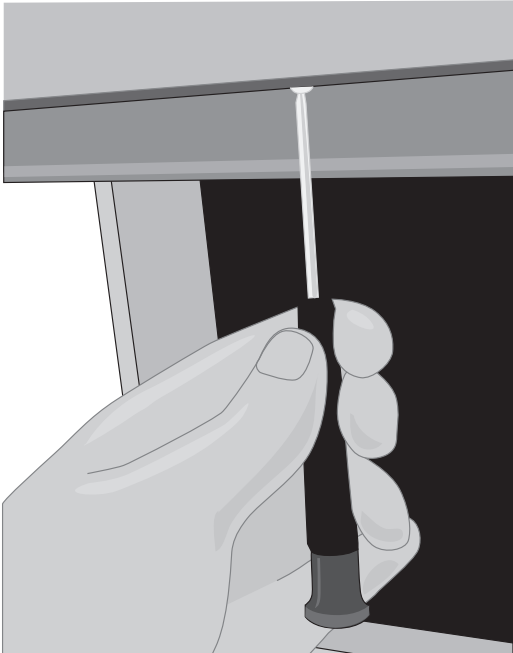


- 4 The light will turn off at the end of the set time period if Time Delay Function is activated while the light is on.

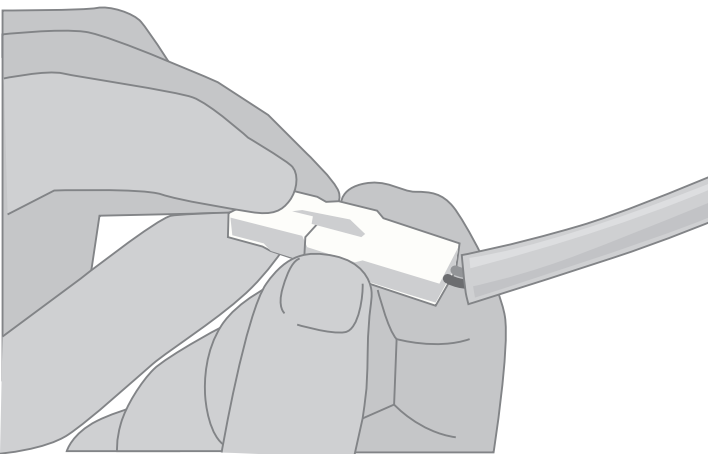
Maintenance

Replacing the Light Bulbs

- 1 Unplug the unit from the AC outlet.
- 2 Remove five screws from the light panel, then remove the light bulbs by popping them out.



- 3 Disconnect the light clip.



- 4 Reverse the removal procedures to install the new light bulbs and plug the unit back in.

Cleaning the Range Hood



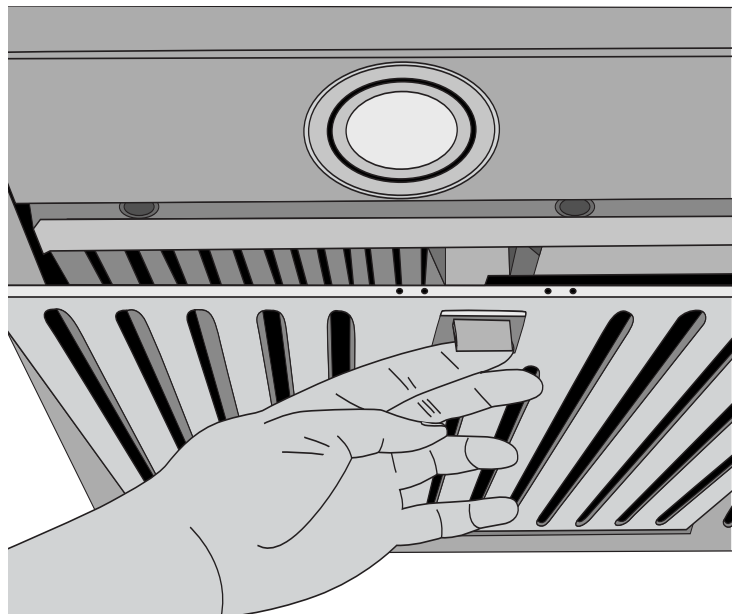
Be sure electrical power is off and all surfaces are cool before cleaning or servicing any part of the hood.

Range Hood Body

- Do not use a steel wool pad; it will scratch the surface.
- To clean the stainless steel surface, use warm soapy water or a stainless steel cleaner. Closely follow the cleanser label instructions. **DO NOT** use corrosive or abrasive detergents, ammonia products, abrasives or oven cleaners. Always wipe the surface in the direction of the grain.

Filters

- The saturation of greasy residue in the fan and filters may cause increased inflammability. Keep unit clean and free of grease and residue build-up at all times to prevent possible fires.
- Filters can be cleaned in a standard dishwasher or by using a mild cleaner. **DO NOT** use corrosive or abrasive detergents, ammonia products, or oven cleaners.
- To remove, first drain and wipe all excess grease with a dry paper towel. Grasp the baffle filter handle and pull them up, forward and out.



- When cleaning is completed, replace the filters as shown in Step 11.

Please register your product warranty by visiting the Ancona Home website.



Canada & USA

Phone: 1-800-350-4562

Fax: 800-350-8563

Email: service@anconahome.com

Website: www.anconahome.com

Ancona is in association with Mr Appliance for all after sales service calls.
Please contact their service provider or visit their website:

Phone: 888-998-2011

Website: www.mrappliance.com



MAAN1410-06