

RANGE HOOD USER INSTRUCTIONS

MODEL:

**Under Cabinet 30 Inches
Square Buttons
450 CFM**

IMPORTANT SAFETY INSTRUCTIONS

**Carefully read the following important information regarding
installation safety and maintenance.**

Keep these instructions for future reference.

IMPORTANT SAFETY INSTRUCTIONS

⚠ TO REDUCE THE RISK OF FIRE OR ELECTRICAL SHOCK, DO NOT USE THIS RANGE HOOD FAN WITH ANY SOLID-STATE SPEED CONTROL DEVICE.

INTENDED FOR DOMESTIC COOKING ONLY!

⚠ CAUTION:

- Have a smoke detector in your kitchen and change the batteries regularly, i.e. in spring and fall when you move your clocks forward and backward.
- Never leave range top burners on unattended at high settings. Pots that boil over can smoke and greasy spillovers can ignite. Only heat oils slowly on low to medium settings.
- When cooking on high settings, always turn hood ON, especially if you plan to flambé.
- Don't let grease accumulate on the fan or filter. Clean often.
- Make it a habit to use pots and pans that are the right size for the size of the range burner.

⚠ TO REDUCE THE RISK OF INJURY IN CASE OF FIRE:

- **FIRST**, to prevent burns, **SMOTHER** the flames with a close-fitting lid or metal tray, i.e. a cookie sheet, **THEN** turn off the burner. If the flames are not smothered, **EVACUATE** and call 911. A fire can double in size in 2 to 3 minutes.
- **NEVER PICK UP A POT OR PAN WITH FLAMING CONTENTS.** Whatever you use to protect your hands, i.e. oven mitts or a towel, could catch fire.
- **SMOTHER FLAMES, DO NOT USE WATER** or wet fabric such as a towel, as this can cause a steam explosion that will burn you.
- Use a fire extinguisher **ONLY** if you already know how to use it and you are sure it is Class ABC, if the fire is small and contained, if the fire department is on its way and if your back is to an exit so you can escape if your attempt to fight the fire fails.

⚠ TO REDUCE THE RISK OF FIRE, ELECTRIC SHOCK, OR INJURY TO PERSONS, OBSERVE THE FOLLOWING:

REQUIREMENTS: 120V, 60Hz, 15A circuit grounding

- **Caution:** This range hood is for general ventilating use only. Do not use it to exhaust dangerous materials or explosive vapors.
- Use this range hood correctly and only for domestic cooking, as intended by the manufacturer. Contact the manufacturer or distributor if you have any questions.

⚠ TO REDUCE THE RISK OF FIRE, ELECTRIC SHOCK, OR INJURY TO PERSONS, OBSERVE THE FOLLOWING: (cont'd)

- Installation work and electrical wiring must be done by a qualified person(s) in accordance with all applicable codes and standards, including fire rated construction.
- Structural framing, installation work and electrical wiring must respect all applicable codes and standards, including those for fire-rated constructions and must be performed by a qualified person(s).
- Follow the heating equipment manufacturer's guidelines and safety standards such as those published by the:
 - Canadian Fire Safety Association (CFSA), and the Heating, Refrigeration and Air Conditioning Institute of Canada (HRAI), and the local code authorities.
 - National Fire Protection Association (NFPA) and the American Association for Heating Refrigeration and Air Conditioning Engineers (ASHREA) and the local code authorities.
- **BEFORE** wiring, servicing or cleaning this range hood, be sure that power is switched off at the service panel and to prevent power from being switched on by accident, block or put a **⚠** tag on the panel. Ideally, the service panel should be locked.
- To prevent the fire hazard of back drafting, sufficient air is needed for proper combustion and exhausting of gases through the flue (chimney) of fuel burning equipment.
- To reduce risk of fire and to properly exhaust air, be sure to duct air outside.
- The hood has been designed to remove kitchen smells; any additional use shall be regarded as non-intended.
- Take care when the range hood is operating simultaneously with an open fireplace or burner as they both depend on the air in the environment to operate and the range hood will remove air while operating.
- Do not leave the range hood on if it is not being used.
- Constantly check frying food to prevent overheated oil becoming a fire hazard.
- Do not check the status of the filters while the range hood is operating.
- Do not touch the light bulbs shortly or immediately after the appliance has been used.

INSTALLATION SAFETY

- When cutting or drilling into wall or ceiling, do not damage electrical wiring and other hidden utilities.
- The appliance must be installed at a minimum height of 61 cm (24 in.) from an electric stove, or 76 cm (30 in.) from gas or combined stoves.
- Ducted fans must always be vented to the outdoors for best performance and safety; the discharge air should be directed to the building exterior. Follow the local laws applicable for external air evacuation.
- Do not connect the range hood exhaust to the same conductor used to circulate hot air or for evacuating fumes from other appliances powered by other than an electrical source.
- Do not vent exhaust air into spaces within walls or ceilings or in attics, crawl spaces or garages.
- Proper installation is the responsibility of the installer.
- Product failure due to improper installation is not covered under the warranty.

USE AND MAINTENANCE

Unplug the hood or switch off the circuit breaker before carrying out maintenance operations.

- It is recommended that the hood be switched on before cooking.
- It is also recommended to leave the hood in operation for 10 minutes after cooking is terminated in order to completely eliminate cooking vapours and odours
- The proper function of the range hood is conditioned by the regularity of maintenance operations.
- Clean the fan and other surfaces of the range hood regularly using a moistened cloth or non-abrasive liquid detergent. Do not use cleaning products with combustible ingredients such as alcohol, benzol, ether or acetone as they can explode.
- To protect the main body from corrosion over a long period of time, the cooker hood should be cleaned with hot water plus non corrosive detergent every two months

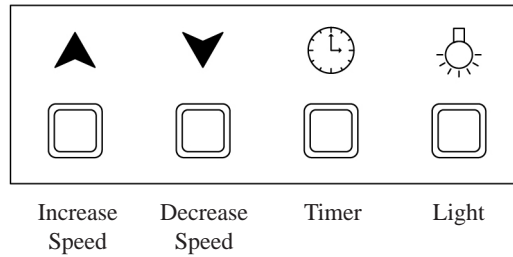
LIGHTING

- This range hood requires two (2) halogen lamps (G4,12 Volt, 20 Watt max).
- Before undertaking any replacement, always disconnect the appliance from the electricity supply.
- Replace the lamp with one that has the same features, otherwise this may cause severe damage to the electrical system.
- **Caution:** light bulbs may be hot!

METAL ANTI-GREASE FILTERS







- The metal anti-grease filters capture the grease particles of the vapours that develop during cooking; therefore they are subject to clogging depending on how often the appliance is used.
- In order to prevent fire hazard, it is recommended that the filter be cleaned every 2 months, according to the following instructions:
 - Remove the filters from the range hood and wash them in a solution of water and neutral liquid detergent, leaving to soak.
 - Rinse thoroughly with warm water and leave to dry.
 - The filters may also be washed in a dishwasher.
 - The aluminium panels may change in colour after several washes, this is not cause for customer complaint or replacement of panels.

CONTROL PANEL OPERATION



Control Panel Layout and Buttons Configurations:

Electronic Controls with Time Delay

- **Lights:**
 - Press the light key  once, the backlight is on, and the lights are on.
 - Press it for a second time, the backlight is off and the lights are off.
- **Power settings:**
 - Press the  key once and the motor starts to operate at low speed.
 - Press the  key again and the motor will reach Medium speed.
 - Press the  key once more and the motor will reach High speed.
 - Press the  key to lower speeds in succession until the motor stops working (power off).
- **Timer function:**
 - The control module provides the option to run the motor for a predetermined time period in order to evacuate remaining vapors from the kitchen.
 - Press the  timer key when the motor is working and the motor will continue working for 10 minutes and will stop working thereafter.

GENERAL INSTALLATION INSTRUCTIONS

A: GENERAL

- Carefully unpack the hood but do not remove any protective film until after installation to avoid accidental damage or scratching. Place filters somewhere safe for the same reason.
- Check for damage, and lay out the hood pieces and parts.
- Range hoods do not come with wall or ceiling screws, as the type of structure determines the type of screws.
- Check that you have the right tools. In addition to marking and measuring tools, a hammer, screwdrivers, pliers and scissors, you may need sheet metal sheers, and wire strippers. Safety glasses are recommended.

B: ELECTRICAL CONNECTION

- This range hood must be grounded. If the dwelling wiring is not 2-wire with a ground wire, a ground must be provided by the installer.
- Install a 5.08 X 10.16 cm (2" X 4") wall outlet box and 3-blade 125 Volts, 15 amp grounded receptacle.
- Use wire nuts to connect incoming ground, neutral and hot.
- Push wires into the junction box and replace cover. Be sure wires are not pinched.

C- INSTALLATION DISTANCE

- Hood should be placed at a minimum distance from the range top of:
 - 61 cm (24") for electric cooking surface
 - 76 cm (30") for Gas Cooking Surface

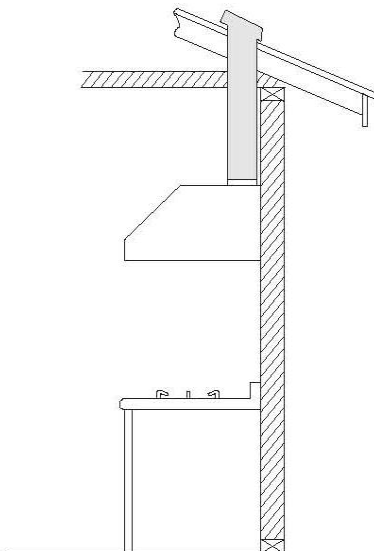
UNDERCABINET RANGE HOOD INSTALLATION

- This range hood model is designed to be installed under kitchen cabinets;
- If replacing a different model, check the location of the air exhaust in case it does not line up with the new model;
- The ducting location may have to be adjusted to the existing wall opening;
- If the ventilation system is equipped with an external air duct with a different diameter, apply a reduction fitting;
- A 6" Ø or rectangular 3" X 10" ducting is recommended for maximum performance and safety.

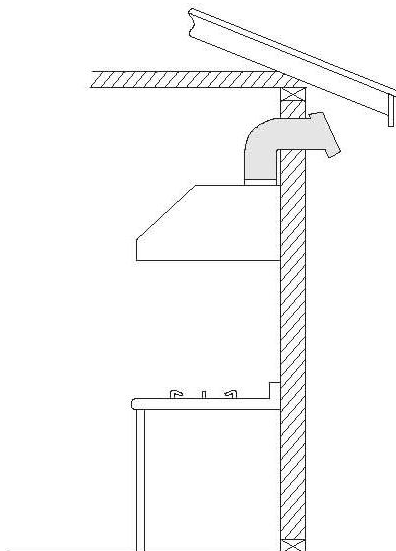
Section A: Select venting option

- This unit offers 2 venting options:
 - A- Top venting (vertical) using 6" round or rectangular 3" X 10" damper
 - B- Rear venting (horizontal) using rectangular damper.

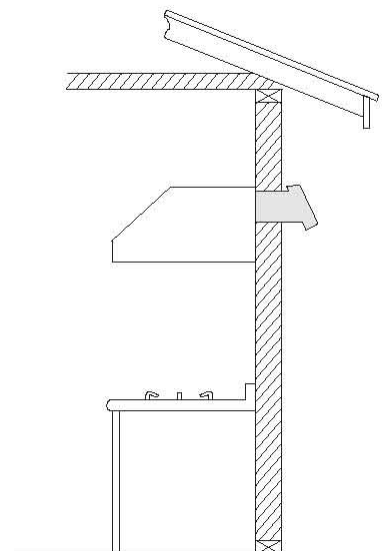
A1- Top venting Roof Exhaust



A2- Top venting Wall Exhaust



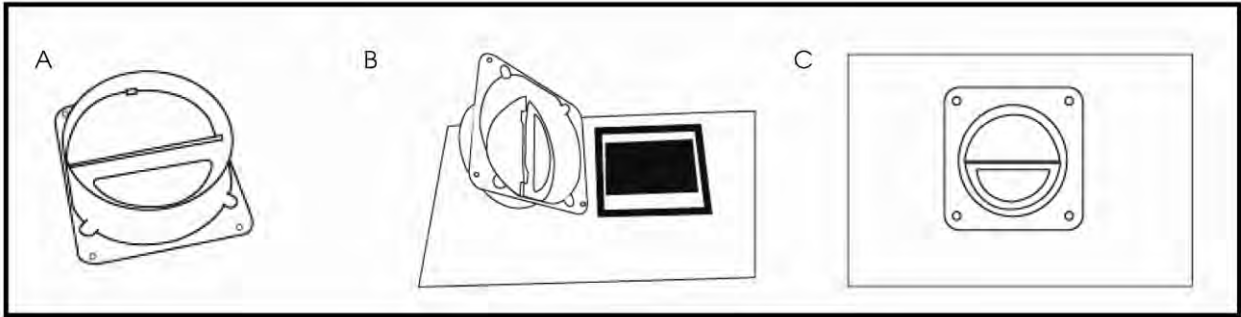
B- Rear Venting



A- Top venting using 6" round damper:

- If you require 6" round venting, keep the unit as provided in the packaging and install the round damper provided;
- Position the damper on top of the unit and set in place with screws provided (See Pic 1 a, b, c);
- Connect duct work to damper;
- Use Duct Tape to ensure joint is sealed and air tight.

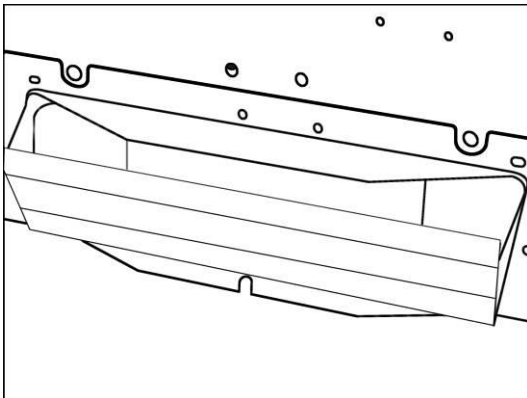
Pic 1



A- Top venting using rectangular damper:

- If you require rectangular top (vertical) venting simply install the rectangular damper provided (See pic 2);
- Connect duct work to damper;
- Use Duct Tape to ensure joint is sealed and air tight .

Pic 2

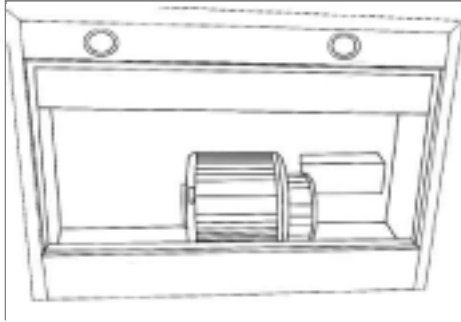


B- Rear venting (horizontal) using rectangular damper

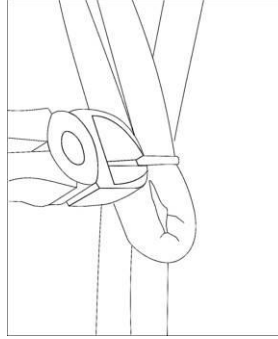
Step 1: Prepare Range Hood

- Remove unit from packaging
- Position the unit on its back on a flat non abrasive surface - front facing you (See pic 3)
- Remove the 2 filters to allow access to the inside of the unit (See Pic 3)
- Cut tie wraps so wires are free to move and be relocated (See Pic 4)

Pic 3



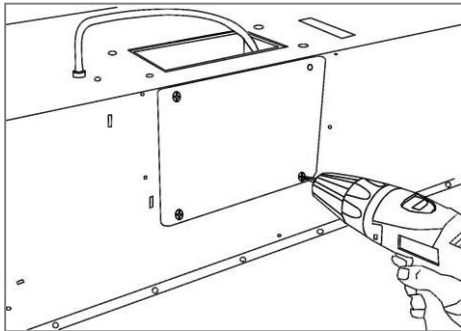
Pic 4



Step 2: Remove rear vent back plate (See Pic 5)

- Position the unit face down on a flat non abrasive surface - rear of product facing you
- Remove the back plate by removing the 4 screws

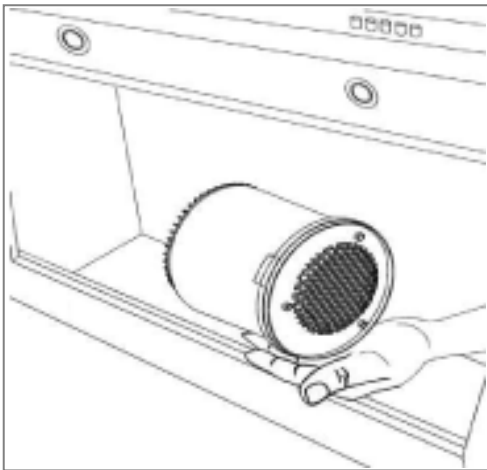
Pic 5



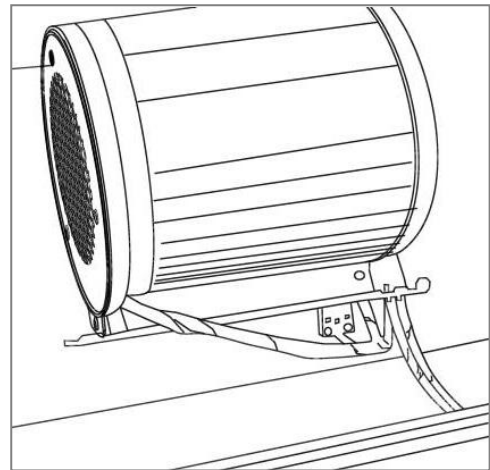
Step 3: Relocate motor exhaust at the rear of unit

- Position the unit on its back on a flat non abrasive surface – perpendicular to your working surface (See Pic 6)
- Place hand to hold motor in position and ensure weight of motor is well supported (See Pic 6)
 - o This will ensure screws don't get bent or broken
- Remove 4 screws that hold motor in place on the top side of the hood
 - o Ensure the motor weight is well supported by your hand as the last screw in place may break under the weight of the motor
- Once the motor is set free from the hood, rotate motor clock wise to position venting outlet with rear rectangular hole, ensuring that:
 - o Electric wire is located under the motor as you relocate the motor outlet (See Pic 7)
 - o Electric wire is not caught under the motor outlet (See Pic 8)
 - o 4 holes are aligned with screw holes at the rear
- Put unit upside down so the screw holes securing the motor are in a position facing you
- Install 4 screws to hold motor – Use a screw driver to perform operation – NOT A DRILL as it may strip the motor housing thread (See Pic 9)

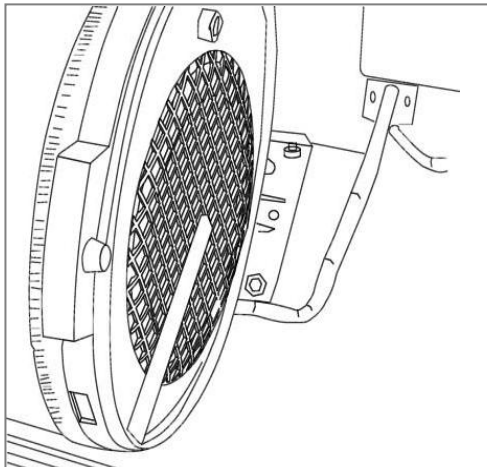
Pic 6



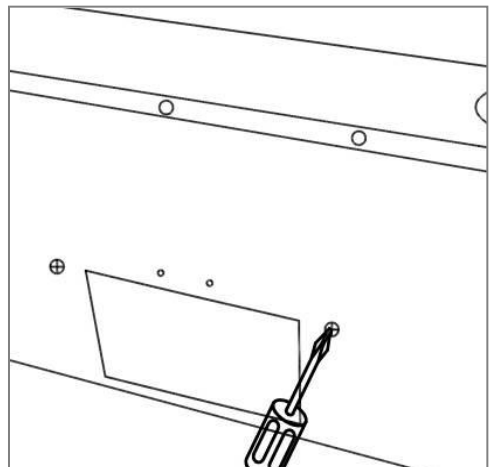
Pic 7



Pic 8



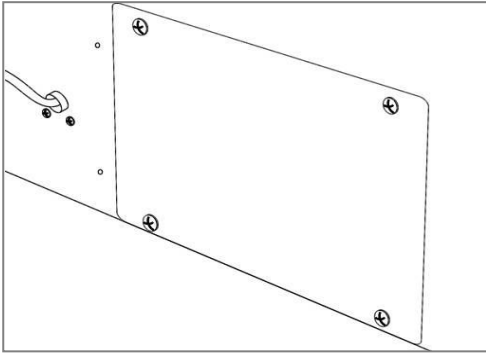
Pic 9



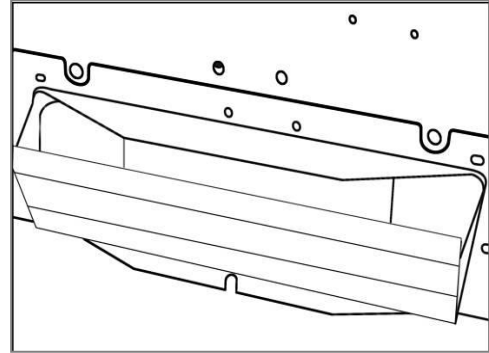
Step 4: Install top vent plate and rear damper

- Re-install the plate removed in step 2 to block top venting hole;
 - o Put plate in position and put in 4 screws from step 2 (See Pic 10);
- Install rectangular air damper outlet on the rear vent location (See Pic 11);
- Connect duct work to damper;
- Use Duct Tape to ensure joint is sealed and air tight .

Pic 10



Pic 11

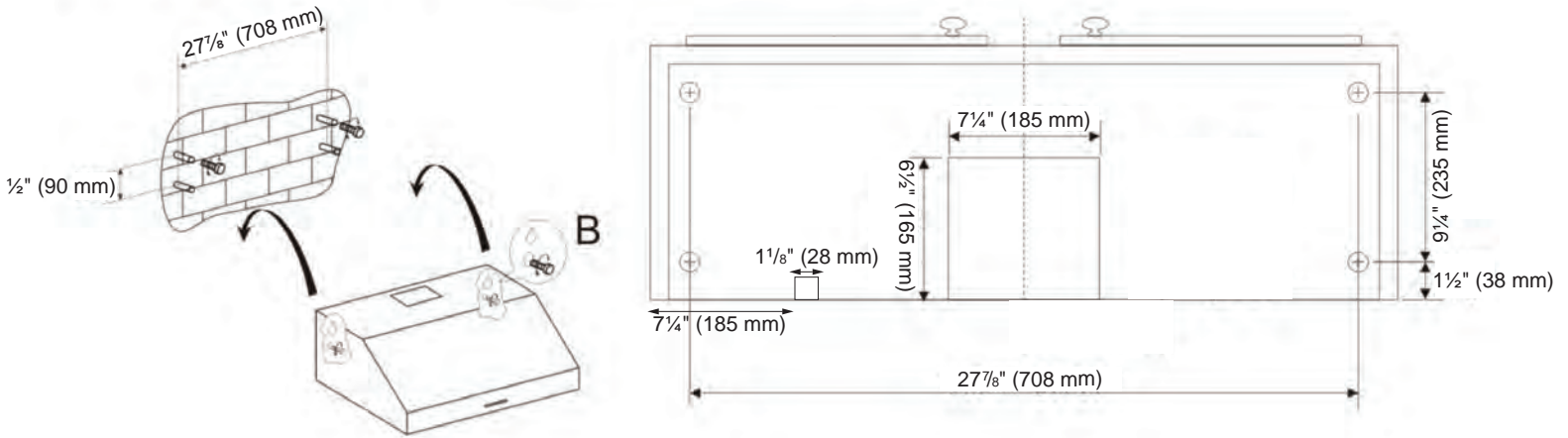


Section B: Attach unit to wall or under kitchen cabinets

Method One – attaching the unit to the wall

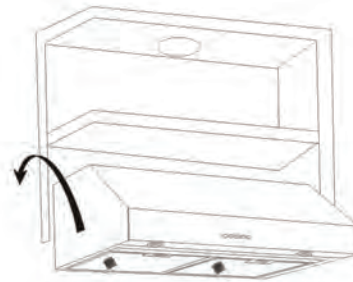
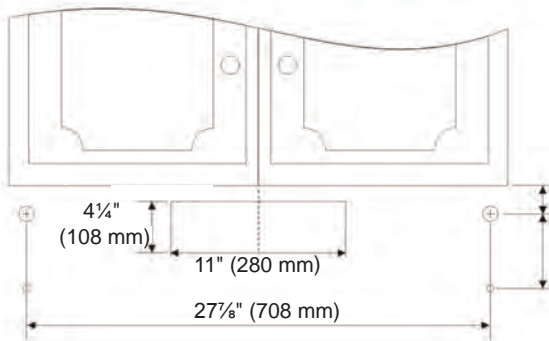
- Mark or drill a small hole on the mounting position according to the dimensions on the following drawings
- Insert suitable expanded screws into the holes.
- Hang the range hood on the screws.
- Method one 1) Attach the ducting to the top round 6" damper and exhaust outdoors:
- The following drawings show the mounting dimensions of the 30" (750mm) width.

Method One a) attaching to the wall using 6" round top (vertical) venting (NOTE: Dimensions are in mm)



Method One b) attaching the unit to the wall using rear rectangular ducting (NOTE: Dimensions are in mm)

- Installation dimensions are similar to Method one a)
- See dimensions below for rectangular ducting



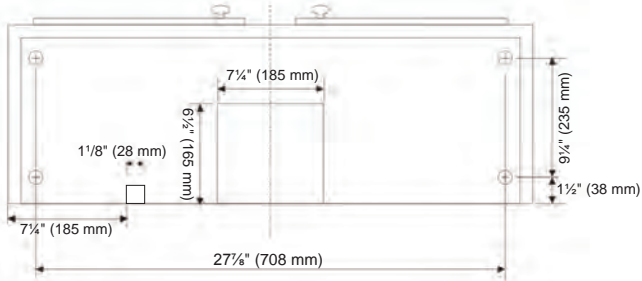
Method Two – attaching under kitchen cabinets

Method Two – attaching under kitchen cabinets

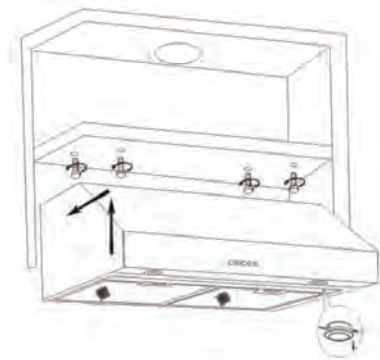
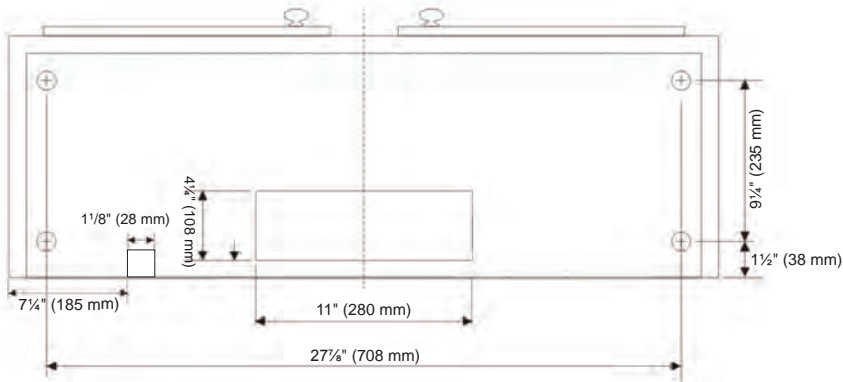
- Mark or drill a small hole on the mounting position according to the space and dimensions cited on the following drawings
- Install the hood under cabinet, using suitable screws to fix in position.
- Attach the ducting to the damper and exhaust it outdoors.
- The following drawings show the mounting dimensions of the 30" (750mm) width.

Method Two a) attaching under kitchen cabinets using 6" round ducting

Note: Range hood top view



Method Two b) attaching under kitchen cabinets using top rectangular ducting:



Replacing the light bulbs:

- This range hood uses halogen bulbs: 20W 12V type G4.
- Make sure the range hood is unplugged or turn OFF breaker.
 - Place a flat-head screwdriver between light cover and housing to remove cover.
 - Gently pull defective bulb straight out and discard
 - Wear a cotton glove or use a cloth to handle the replacement bulb.
(DO NOT handle with bare fingers as this may shorten the life of the bulb).
Push gently but securely into light socket.
 - **NOTE:** DO NOT push too hard as bulb “legs” may break off.
 - Replace light cover.
- Turn ON breaker and range hood to test for operation.

