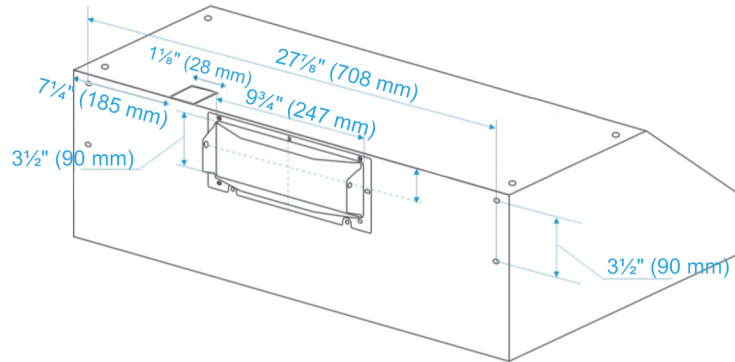




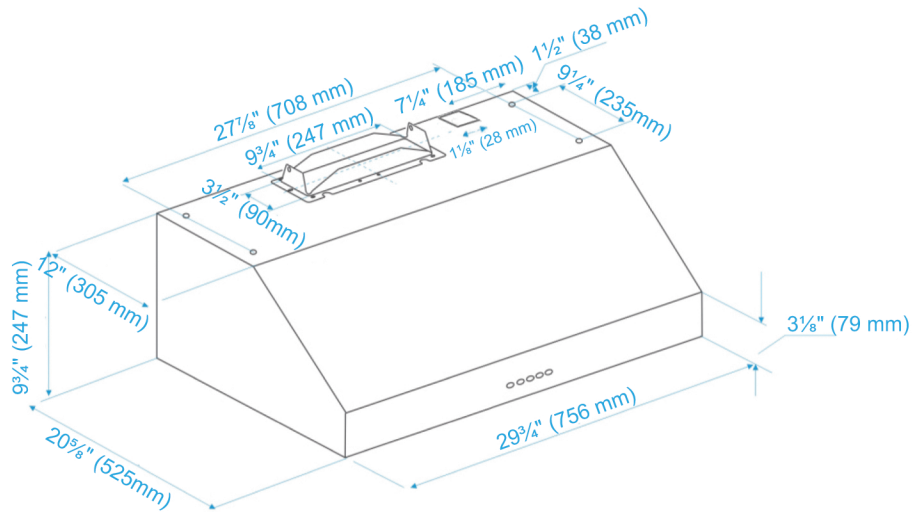
WARNING

- This range hood is 9 5/8" high (245 mm)
- For electric cook top you need min. 33 5/8" (855 mm) clearance distance between bottom of cupboard and cook top;
- For gaz cook top you need 39 5/8" (1007 mm) clearance.

Option 1 – Rear Venting / Ventilation Arrière



Option 2 – Top Venting Rectangular / Ventilation Verticale Rectangulaire



Option 3 – Top Venting Round / Ventilation Verticale Ronde

