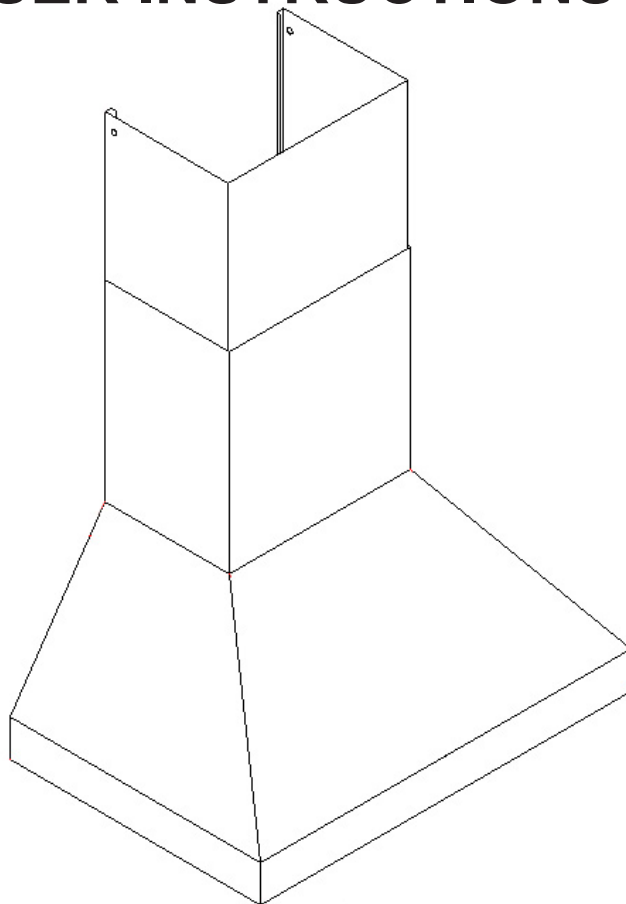


ANCONA

WALL MOUNTED RANGE HOOD USER INSTRUCTIONS



WPRO Turbo 36, 48

We recommend to put working gloves on to perform the installation as some edges may be sharp

IMPORTANT SAFETY INSTRUCTIONS

Carefully read the following important information regarding installation safety and maintenance.

Keep these instructions for future reference.

Important Safety Notice

Read all Instructions before Installing and operating this appliance

- The installation in this manual is intended for qualified installers, service technicians or persons with similar qualified background. Installation and electrical wiring must be done by qualified professionals and in accordance with all applicable codes and standards, including fire-rated construction.
- DO NOT attempt to install this appliance yourself. Injury could result from installing the unit due to lack of appropriate electrical and technical background.
- Range hood may have very sharp edges; please wear protective gloves if it is necessary to remove any parts for installing, cleaning or servicing.
- Activating any switch ON before completing installation may cause ignition or an explosion.
- Due to the size and weight of this range hood, two people installation is recommended.

To reduce the risk of fire, electric shock, or injury to persons:

- For general ventilating use only. DO NOT use to exhaust hazardous or explosive materials and vapors.
- The combustion air flow needed for safe operation of fuel-burning equipment may be affected by this unit's operation. Follow the heating equipment manufacturer's guideline and safety standards such as those published by the National Fire Protection Association (NFPA), and the American Society of Heating, Refrigeration and Air Conditioning Engineers (ASHRAE), and the local code authorities.
- Before servicing or cleaning unit, switch power OFF at service panel and lock service panel to prevent power from being switched ON accidentally.
- Clean grease laden surfaces frequently. To reduce the risk of fire and to disperse air properly, make sure to vent air outside. DO NOT vent exhaust into spaces between walls, crawl spaces, ceiling, attics or garages.
- Ducted fans **MUST** always be vented to the outdoors.
- Use only metal ductwork and this unit **MUST** be grounded.
- Sufficient air is needed for proper combustion and exhausting of gases through the duct to prevent back drafting.
- When cutting or drilling into wall or ceiling, be careful not to damage electrical wiring or other hidden utilities.
- All electrical wiring must be properly installed, insulated and grounded.
- Old duct work should be cleaned or replaced if necessary to avoid the possibility of a grease fire.
- Check all joints on duct work to insure proper connection and all joints should be properly taped.
- Use this unit only in the manner intended by the manufacturer. If you have questions, contact the vendor.

To reduce the risk of a stove top grease fire:

- Keep all fan, baffle, spaces, filter, oil container and grease-laden surfaces clean. Grease should not be allowed to accumulate on fan, baffle, spaces, filter and oil container.
- Always turn range hood ON when cooking at high heat or when cooking flaming foods.
- Use high settings on cooking range only when necessary.
- Never leave surface units unattended at high settings. Boil overs cause smoking and greasy spillovers that may ignite. Heat oils slowly on low or medium settings.

Important Safety Notice

Read all Instructions before Installing and operating this appliance

- Clean ventilating fan frequently.
- Always use appropriate cookware and utensils size.
- Always use cookware appropriate for the size of the surface element.

To reduce the risk of injury to persons in the event of a stove top grease fire:

- SMOTHER FLAMES with a close-fitting lid, cookie sheet, or metal tray, then turn OFF the burner. BE CAREFUL TO PREVENT BURNS. NEVER PICK UP A FLAMING PAN—you may be burned. KEEP FLAMMABLE OR COMBUSTIBLE MATERIAL AWAY FROM FLAMES. If the flames DO NOT go out immediately, EVACUATE AND CALL THE FIRE DEPARTMENT or 911.
- DO NOT USE WATER, including wet dishcloths or towels — a violent steam explosion will result.
- Use an extinguisher ONLY if:
 - You know you have a Class A, B, C extinguisher, and you already know how to operate it.
 - The fire is small and contained in the area where it is started.
 - The fire department is being called.
 - You can fight the fire with your back to an exit.

To reduce the risk of injury to persons in the event of a gas leaks:

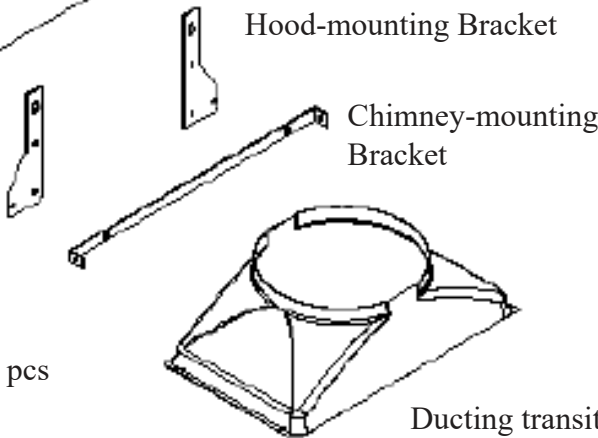
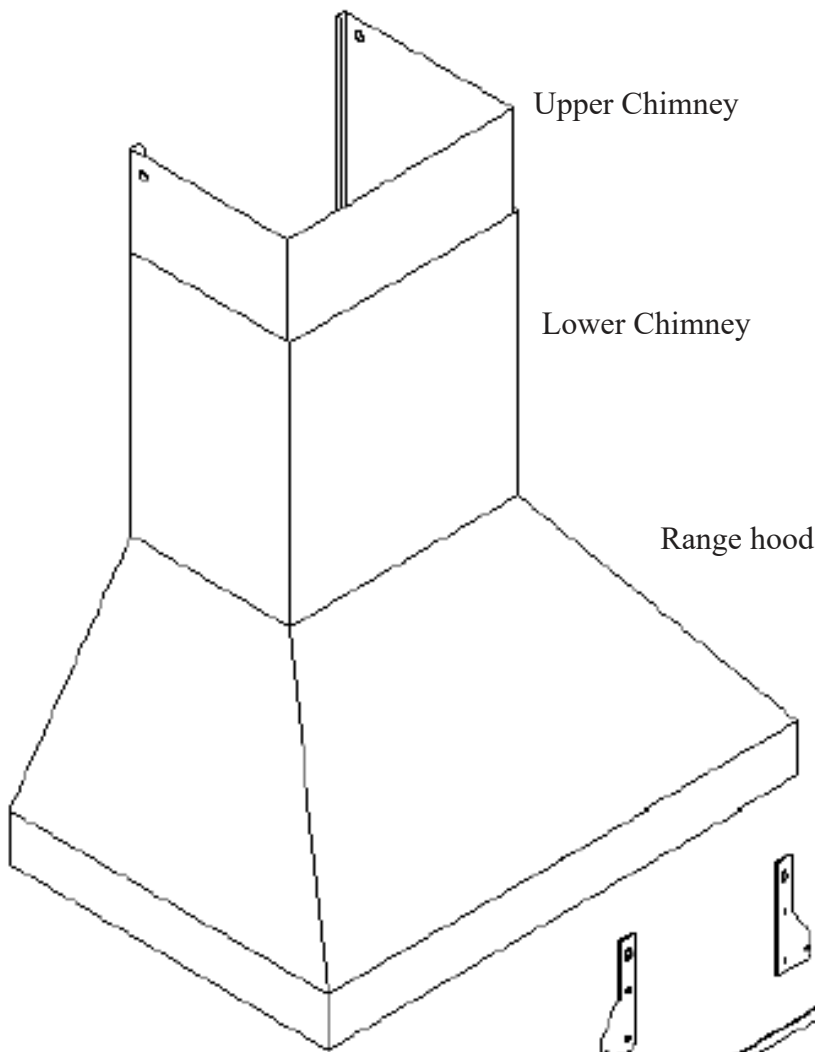
- Extinguish any open flame.
- DO NOT turn on the lights or any type of appliance.
- Open all doors and windows to disperse the gas. If you still smell gas, call the gas company and fire department, or 911 immediately.

Your safety and the safety of others are very important. We have provided many important safety messages in this manual and on your appliance. Always read and obey all safety messages. All safety messages will tell you what the potential hazard is, tell you how to reduce the chance of injury, and tell you what can happen if the instructions are not followed.



This is the safety alert symbol. This symbol alerts you to potential hazards that can hurt you and others. All safety messages will follow the safety alert symbol and the word “WARNING”.

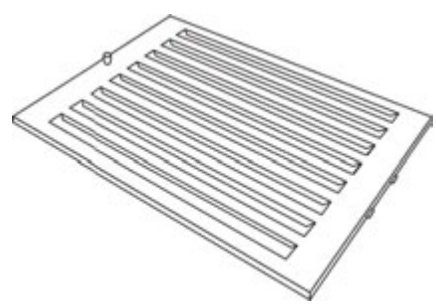
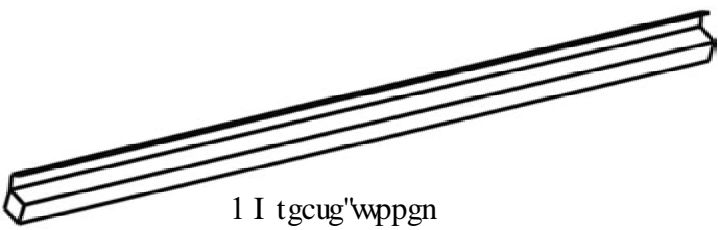
Parts Supplied :



- A** 6 + 1 pcs
- B** 8 + 1 pcs
- C** 4 + 1 pcs

- 4 Baffle filter handle (36 in.)
- 6 Baffle filter handle (48in.)

- 8 + 1 pcs (36 in.)
- 12 + 1 pcs (48 in.)



- 2 Baffle Filters(36 in.)
- 3 Baffle Filters (48 in.)

Venting Requirements:

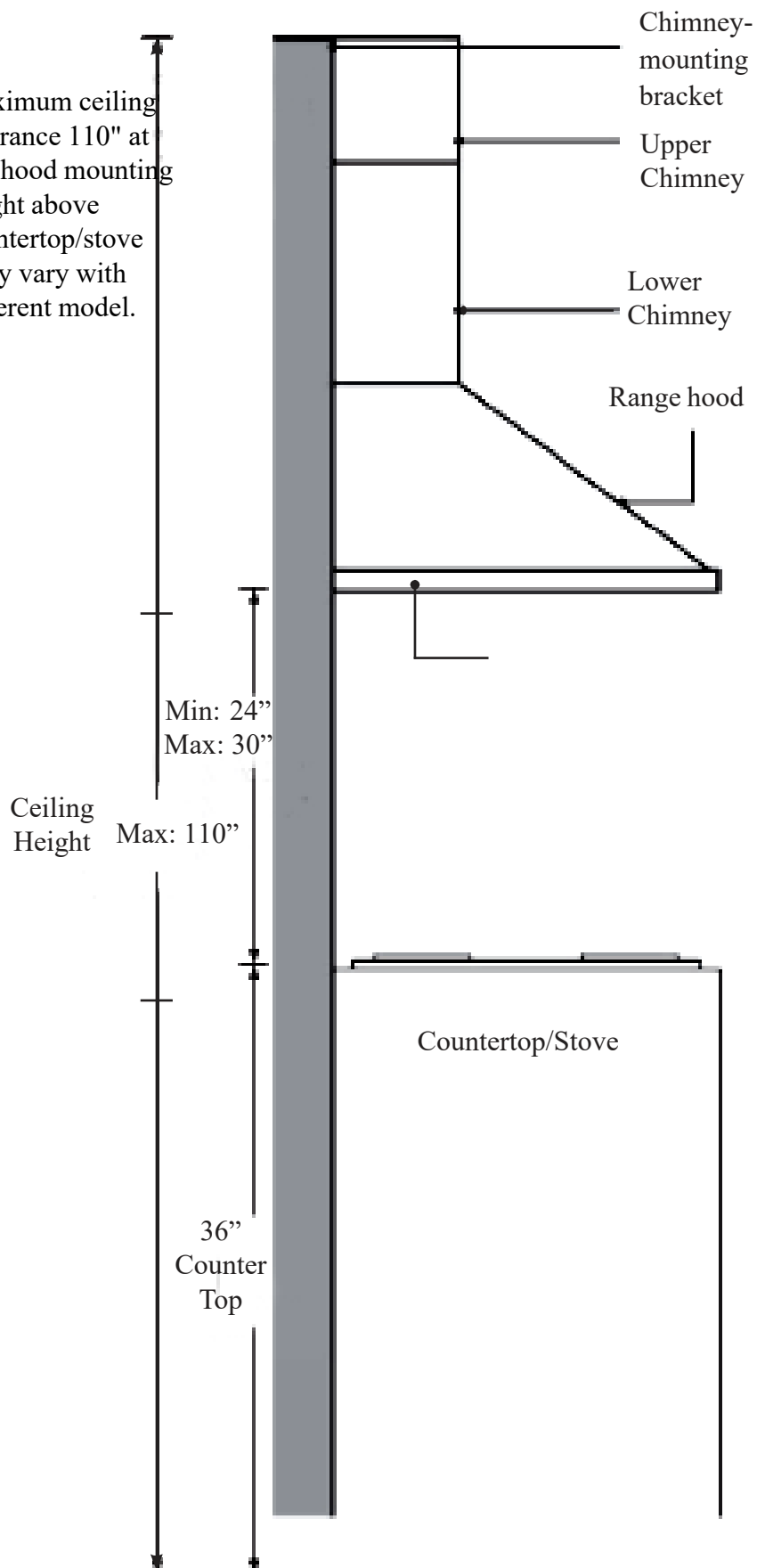
- Vent system must terminate to the outside (roof or side wall).
- DO NOT terminate the vent system in an attic or other enclosed area.
- DO NOT use 4" (10.2 cm) laundry-type wall caps.
- Use metal/aluminum vent only. Rigid metal/aluminum vent is recommended.
- DO NOT use plastic vent.
- Always keep the duct clean to ensure proper airflow.
- Calculate the following figures before installation:
 1. Distance from the floor to the ceiling.
 2. Distance between the floor to the countertop/stove
 3. Distance between the cooking surface to the range hood (recommend 24" to 30") minimum of 30" is required for gas stove top
 4. Height of hood and duct cover.

For the most efficient & quiet operation:

- A distance of 24" to 30" is recommended between stove top and the bottom of range hood. 30" minimum is required for gas stove tops
- It is recommended that the range hood be vented vertically through the roof through 8" (20.3 cm) or bigger round metal/aluminum vent work.
- The size of the vent should be uniform.
- Use no more than three 90° elbows.
- Make sure there is a minimum of 24" (61 cm) of straight vent between the elbows if more than one elbow is used.
- DO NOT install two elbows together.
- The length of vent system and number of elbows should be kept to a minimum to provide efficient performance.
- The vent system must have a damper. If roof or wall cap has a damper, DO NOT use damper (if supplied) on top of the range hood.
- Use silver tape or duct tape to seal all joints in the vent system.
- Use caulking to seal exterior wall or roof opening around the cap.

Height & Clearance:

Maximum ceiling clearance 110" at 30" hood mounting height above countertop/stove (may vary with different model).



IMPORTANT:

- A minimum of 8” round (standard for this range hood) or 3-1/4 x 10” rectangular duct (purchased separately) must be used to maintain maximum airflow efficiency.
- Always use rigid type metal/aluminum ducts if available to maximize airflow when connecting to provided duct.
- Please use *Duct Run Calculation* below to compute total available duct run when using elbows, transitions and caps.
- ALWAYS, when possible, reduce the number of transitions and turns. If long duct run is required, increase duct size from 8” to 9” or 10”. If a reducer is used, install a long reducer instead of a pancake reducer. Reducing duct size will restrict airflow and decrease airflow, thus reduce duct size as far away from opening as possible.
- If turns or transitions are required: Install as far away from opening and as far apart, between 2, as possible.
- Minimum mount height between stove top to hood bottom should be no less than 24-inch for electric cook tops and minimum of 30” for gas stove tops and no higher than 30 inch for electric cook tops.
- It is important to install the hood at the proper mounting height. Hoods mounted too low could result in heat damage and fire hazard; while hoods mounted too high will be hard to reach and will lose its performance and efficiency.
- If available, also refer to stove top manufacturer’s height clearance requirements and recommended hood mounting height above range.

Minimum Duct Size:

- Round - 8” minimum
- Rectangular - 3-1/4 x 10” minimum (requires a 8” to 3-1/4 x 10” adaptor, not supplied)

Calculating Vent System Length :

To calculate the length of the system you need, deduct the equivalent feet for each vent piece used in the system from the recommended maximum duct run.

Duct Run Calculation:	
Recommended maximum run	
8” or 3-1/4 x 10” duct	50 ft
Vent piece deduction	
Each 90° elbow used	9 ft
Each 45° elbow used	5 ft
Each 8” to 3/14 x 10” transition used	7 ft
Side wall cap with damper	0 ft
Roof cap	0 ft

Duct Run Calculation example:

One roof cap, two 90° elbow, and one 45° elbow used:

0ft + 9ft + 9ft + 5ft = 23ft used.

Deduct 23ft from 50ft, 27ft maximum available for straight duct run.

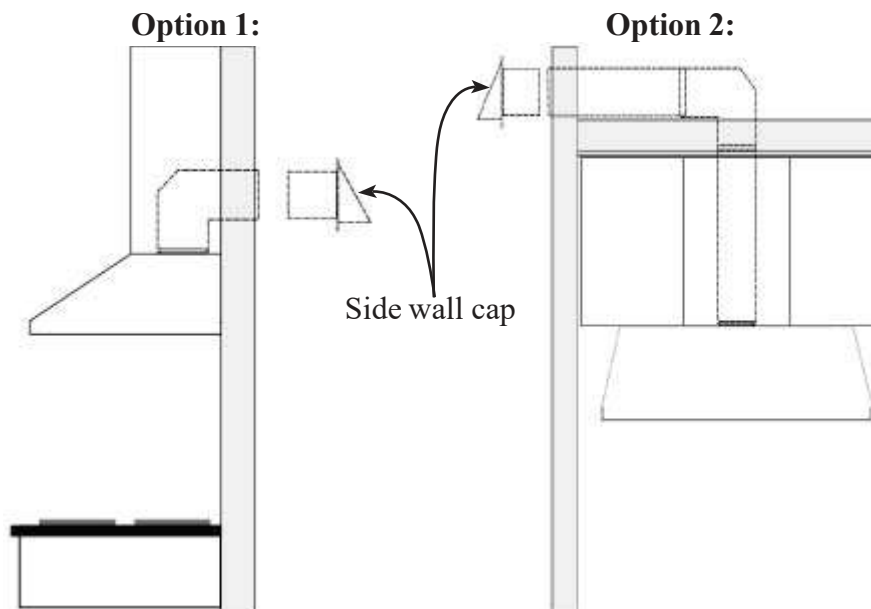
Venting methods:

- This range hood is factory set for venting through the roof or wall.
- Vent work can terminate either through the roof or wall. To vent through a wall, a 90° elbow is needed.

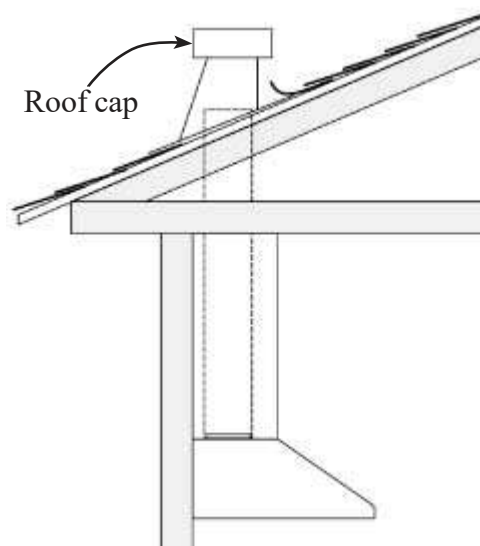
IMPORTANT:

- NEVER exhaust air or terminate duct work into spaces between walls, crawl spaces, ceiling, attics or garages. All exhaust must be ducted to the outside.
- Use metal/aluminum duct work only.
- Fasten all connections with sheet metal screws and tape all joints with certified Silver Tape or Duct Tape.
- Use caulking to seal exterior wall or roof opening around the cap.

Horizontal wall venting



Vertical roof venting



Electrical Requirements :

IMPORTANT: Observe all governing codes and ordinances.

It is the customer's responsibility:

- To contact a qualified electrical installer.



If codes permit and a separate ground wire is used, it is recommended that a qualified electrician determine that the ground path is adequate.

A 120-Volt, 60 Hz, AC-only, fused electrical supply is required on a separate 15-amp circuit, fused on both sides of the line.

DO NOT ground to a gas pipe.

Check with a qualified electrician if you are not sure that the range hood is properly grounded.

DO NOT have a fuse in the neutral or ground circuit.

IMPORTANT: Save this Installation Guide for electrical inspector's use.

The range hood must be connected with copper wire/plug only.

The range hood should be connected directly to the fused disconnect (or circuit breaker) box through flexible armored or non-metallic sheathed copper cable. ETL: listed strain relief must be provided at each end of the power supply cable.

Preparation:

Advanced Preparations:

- Be familiar with the controls of the range hood by reading through *Range Hood Operations*, Page 12.
- Place the range hood on a flat, stable surface. Connect the range hood to a designated standard outlet (120-Volt, 60Hz, AC only) and turn on the range hood. Verify all operations of the range hood by referring to *Range Hood Operations*, Page 12.
- Place all supplied parts and required hardware on a flat, stable surface and verify the existence of all supplied parts listed on Page 4.
- Carefully remove the white plastic protective coat from the range hood.

Preparations:

NOTE: To avoid damage to your hood, prevent debris from entering the vent opening.

- Determine and mark the center line on the ceiling where the range hood will be installed. Make sure there is proper clearance within the ceiling or wall for exhaust vent.
- Due to the weight and size of this unit, please make sure that the support system or framework being used is stable and secure in the wall.
- Put a thick, protective covering over counter top, cooktop or range to protect from damage or dirt. Remove any hazardous objects around the area when installing.
- Mark the locations of the support mounting bracket holes, vent cut-out (if used) and power supply cable cut-out on the ceiling. Use drill and saber saw or keyhole saw to cut openings for power supply cable and vent (see *Venting requirements* and *Electrical requirements*, Pages 6-8).
- If venting to the outside install vent system (see *Venting Requirements*, Page 5). Use caulking to seal exterior wall or roof openings.
- Disconnect main electrical supply, prepare and run electrical wiring through ceiling or wall. Leave approximately 12" of electrical cord hanging from the ceiling. Do not restore power until wiring is completed.
- Disconnect power cord, remove the baffle filter by sliding the knob toward the metal filter handle.
- Set aside the baffle filters until the range hood is properly installed.

CAUTION: If moving the cooking range is necessary to install the hood, turn OFF the power on an electric range at the main electrical box. SHUT OFF THE GAS BEFORE MOVING A GAS RANGE.

Installation:

Installations (refer to Page 4 for parts):

1. Measure the distance between stove top and the bottom of range hood. A distance of 24" to 30" is recommended with a minimum of 30" for gas stove tops.
2. Using references in *Height & Clearance* on Page 5 and *Measurements and Diagrams* on Page 16, mark the leveling point of the hood. Position two mounting screws on the wall, leaving 1/8" space away from the wall.
3. Position the chimney-mounting bracket **directly** above the hood-mounting bracket, mark the leveling points and secure it using two mounting screws.

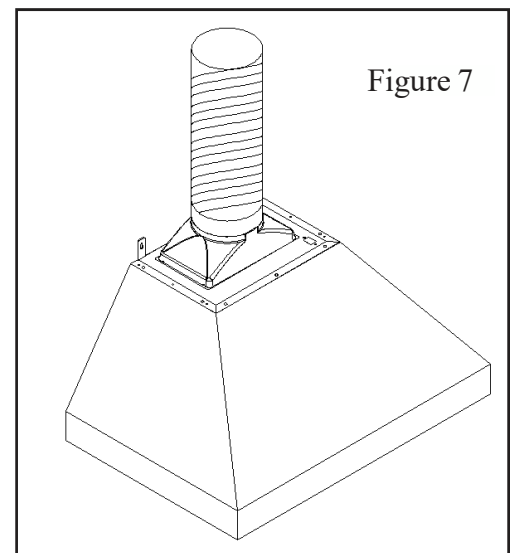
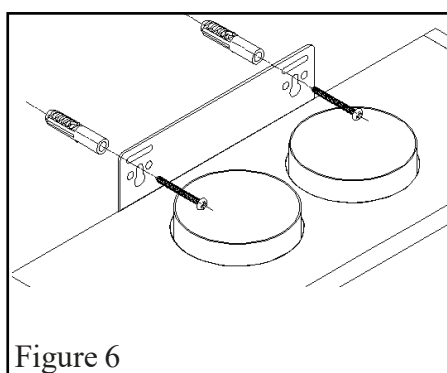
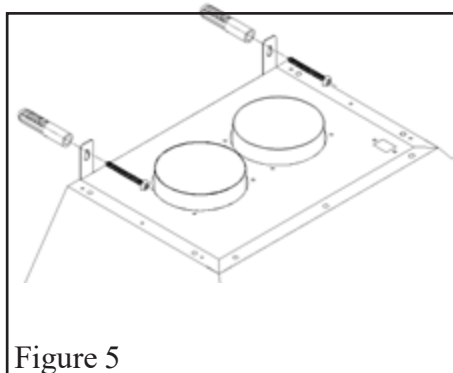
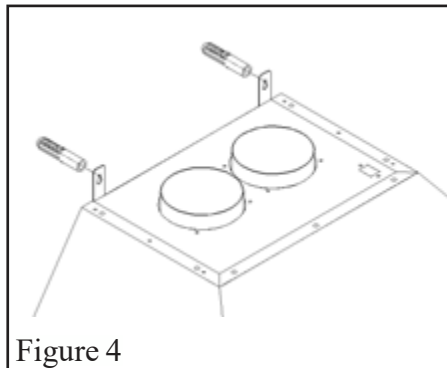
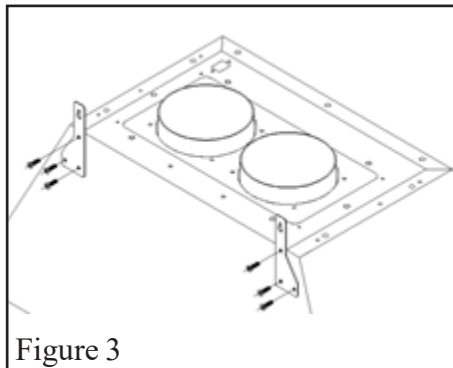
NOTE: Use threaded drywall anchors only when mounting the hood on sheet rock. Mounting the hood on wall studs or lumbers is highly recommended.

4. Attach the hood-mounting bracket to the back of the hood with six screws as shown in Figure 3.
5. Align hood-mounting bracket to the screws on the wall and hook hood into place as shown in Figure 4 and Figure 5. Tighten screws to secure hood to the wall.

CAUTION: Make certain the range hood is secure before releasing!

6. For safety purpose, pre-drilled mounting holes are provided through the back of the hood. For a more secure installation, use as many mounting holes as needed to secure from the inside of hood.
7. Use 8" round steel pipe (follow building codes in your area) to connect the exhaust on the hood to the duct-work above. Use silver tape or duct tape to make all joints secure and air tight. Refer to Figure 7.

SAFETY WARNING: Risk of electrical shock. This range hood must be properly grounded. Make sure this is done by qualified electrician in accordance with all applicable national and local electrical codes. Before connecting wires, switch power off at service panel and lock service panel to prevent power from being switched on accidentally.



Installation (Continued):

8. Connect the range hood to a designated standard outlet (120-Volt, 60Hz, AC only) or cut off the plug and connect three wires (black, white and green) to house wires and cap with wire connectors. Connect according to colors (i.e. black to black, white to white, and green to green).
9. Store excess wires in the wiring box.
10. Install both chimneys and tighten screws to secure the lower chimney to the range hood as shown in Figure 8.
11. To avoid scratching the chimney, extend the upper chimney **slowly** and **carefully** to the chimney-mounting bracket and tighten screws as shown in Figure 9.
12. To install baffle filters, refer to Figure 10 for the following three steps:
 - ① Angle baffle filter toward back of hood.
 - ② Slide the knob toward the metal filter handle and push up.
 - ③ Release the knob until it fits into resting positions.
13. Repeat Step 12 to install all baffle filters.
14. Turn power ON in control panel. Check all lights and fan operations.
15. Make sure to leave this Installation Guide for the homeowner.

Figure 8

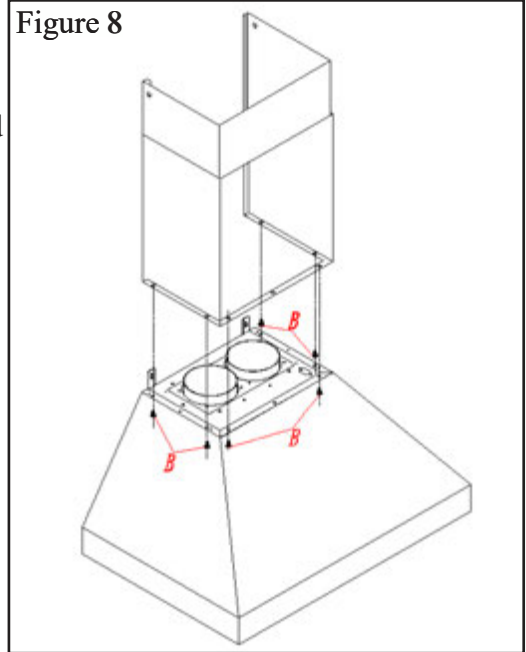


Figure 9

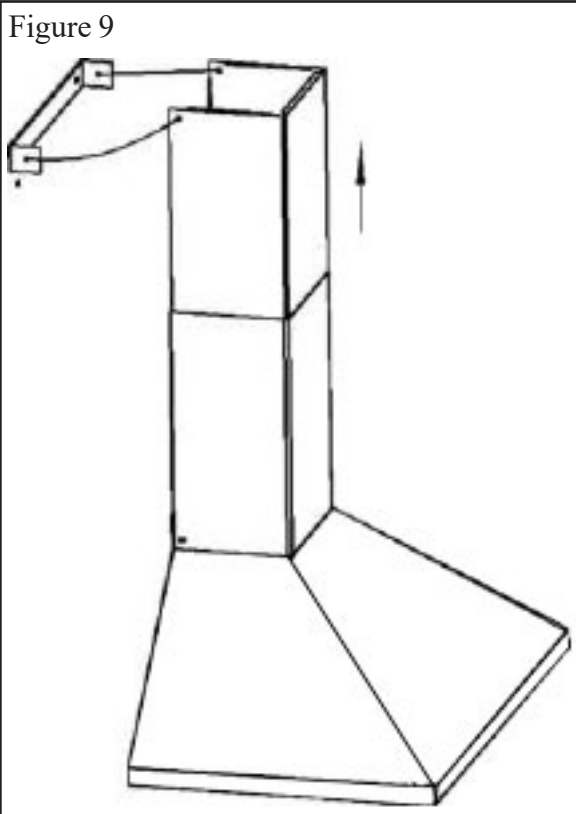
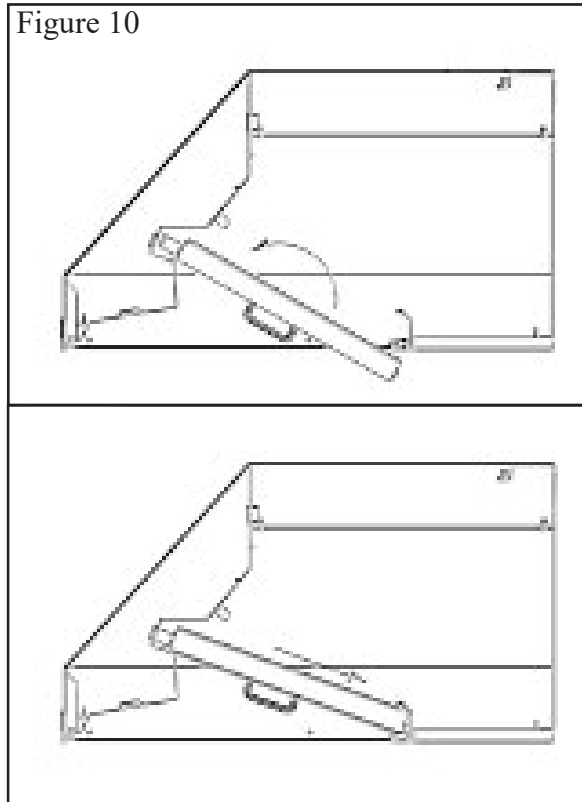
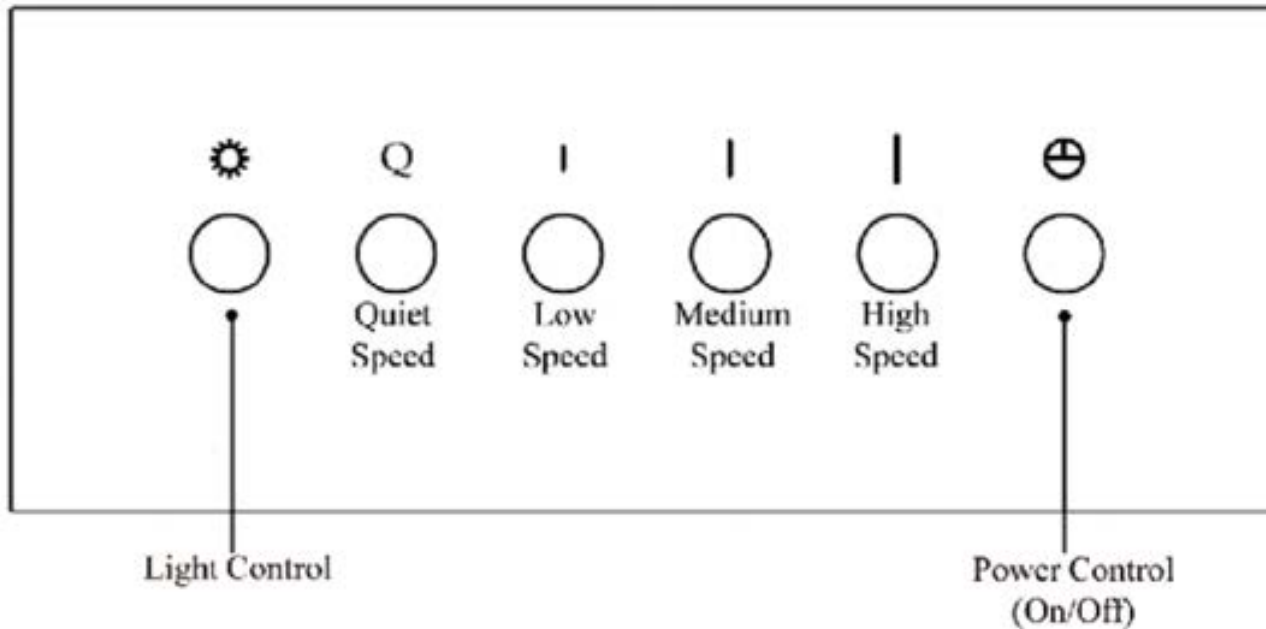


Figure 10



Range Hood Operations:

Control Panel Layout and Buttons Configurations:



This range hood is equipped with six electronic controls, oversized powerful centrifugal squirrel cage motor with stainless steel baffle filters and spacers, 3 W LED lights.

The six electronic buttons control the intensity of the Lights, Speeds (Quiet, Low, Medium and High) and Power (On/Off). The Power Control (On/Off) offers start-up, 3-minute delay or immediate power-off. The Light Control operates independently from the Power Control (On/Off) and is not affected by the delay shutoff.

Turning Fan ON:

Always turn fans ON before cooking to establish air flow and allow fans to run for a few minutes after cooking for cleaner air in the kitchen. The Power Control (On/Off) button must be pressed before a Speed Control button can be activated. NOTE: The light setting will not be affected by the Power Control (On/Off) button.

- Press the Power Control (On/Off) button once. The four LED Speed Indicators above the Speed Control will flash, if a Speed Control button is not pressed within 10-seconds, power will be turn OFF automatically.
- While the LED Speed Indicators are flashing, press a Speed Control button to activate the desired speed.
- To change the fan speed, press another Speed Control button.

Turning Fan OFF:

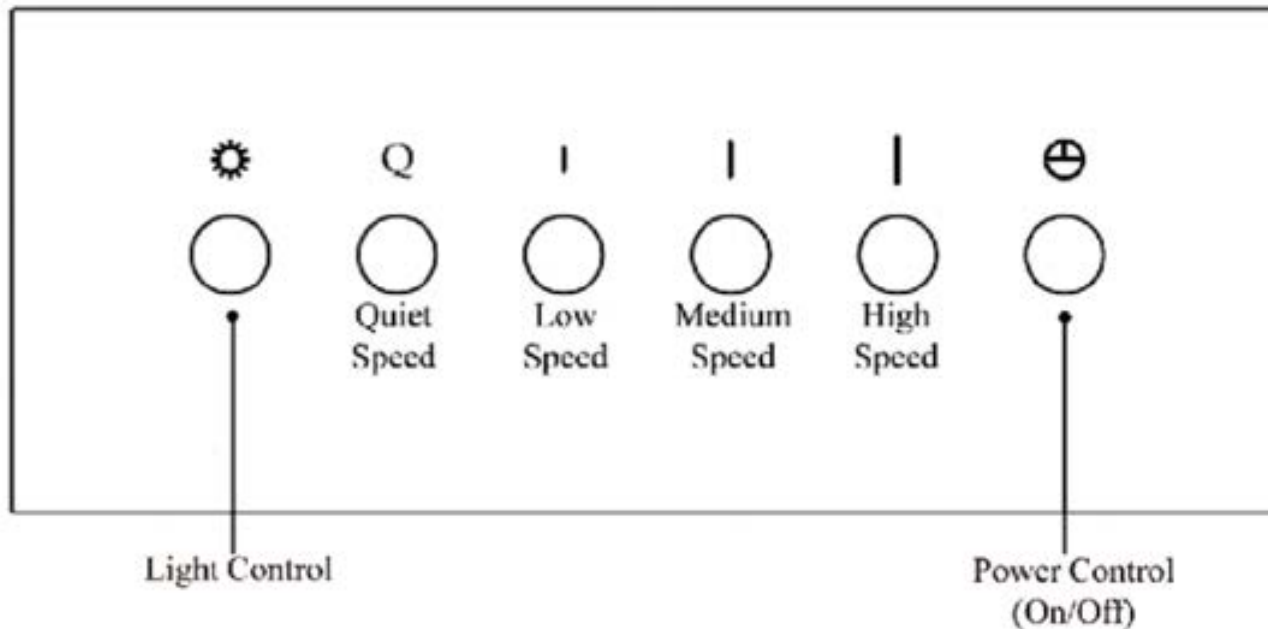
The 3-minute power-off delay function will only turn OFF fans. The light settings will not be affected by the delay function.

Three-Minute Delay

- While the fans are operating, press Power Control (On/Off) button once, the LED Speed Indicator for the active speed will flash and fans will turn OFF after 3-minutes.

Range Hood Operations (Continued):

Control Panel Layout and Buttons Configurations:



- During this 3-minutes delay, changing speeds will not affect the countdown.

Immediate Power-off

- While the fans are in 3-minute power-off delay mode, press the Power Control (On/Off) button once to turn OFF the fans immediately.
- When the fans are operating in normal mode (LED Speed Indicator not flashing), press the Power Control (On/Off) twice to turn OFF the fans.

Light Control:

Light Control button operates independently from the Power Control (On/Off) and power-off delay function. Pressing the Power Control (On/Off) button or activating the delay function will not turn LED lights ON or OFF. **CAUTION: DO NOT touch the lights until switched OFF.**

- While the LED lights are OFF, press the Light Control button once to turn LED lights ON at High intensity. LED Light Indicator will light up.
- Touch the Light Control button again will change the light to OFF

Troubleshooting



1. If the range hood or LED light does not operate after installation:
 - Check if the range hood has been plugged in, make sure that all power has been turned back ON, fused not blown and all electrical wiring are properly connected.
Swap out light assembly to working ones to determine whether it is caused by defective bulbs. See *Replacing the light bulbs* on Page 22.
2. The range hood vibrates when the blower is on:
 - The range hood might not have been secured properly on to the ceiling or wall.
3. The blower or fan seems weak:
 - Check that the duct sized used is at least 8" or 3-1/4 x 10". Range hood WILL NOT function efficiently with insufficient duct size. For example: 9" duct over 8" hole and loosely secured.
 - Check if duct is clogged or if damper unit (half-circular flapper) is not installed correctly or opening properly. A tight mesh on a side wall cap unit might also cause restriction to the air flow.
4. The lights work but the blower is not spinning at all, is stuck or is rattling.
 - The blower might be jammed or scraping the bottom due to shipping damage. Please contact us immediately.
5. The hood is not venting out properly:
 - Make sure the distance between the stove top and the bottom of the hood is within 24" and 30" in distance; with minimum 30" for gas stove top.
 - Reduce the number of elbows and length of duct work. Check if all joints are properly connected, sealed, and taped.
 - Make sure the power is on high speed for heavy cooking.

Use and Care Information:

Operations:

- Read and understand all instructions and warnings in this manual before operating the appliance. Save these instructions for future reference.
- Always leave safety grills and filters in place. Without these components, operating blowers could catch on to hair, fingers and loose clothing.
- NEVER dispose cigarette ashes, ignitable substances, or any foreign objects into blowers.
- NEVER leave cooking unattended. When frying, oil in the pan can easily overheat and catch fire. The risk of self-combustion is higher when the oil has been used several times.
- NEVER cook on “open” flames under the range hood. Check deep-fryers during use: Superheated oil may be flammable.

Cleaning:

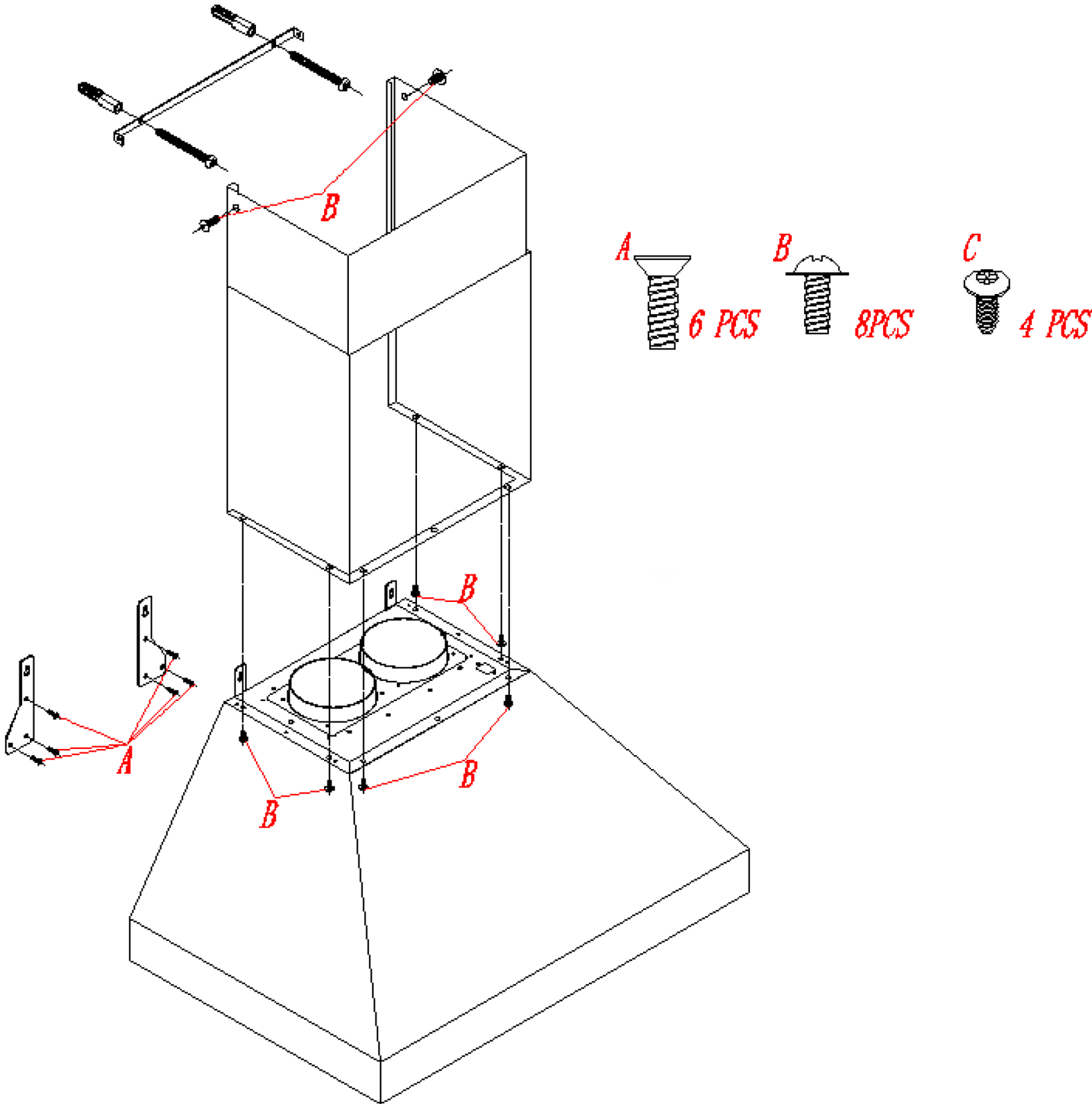
- The saturation of greasy residue in the blower and filters may cause increased inflammability. Keep unit clean and free of grease and residue build-up at all times to prevent possible fires.
- Filters must be cleaned periodically and free from accumulation of cooking residue (see *cleaning instructions* on Page 22). Old and worn filters must be replaced immediately.
- DO NOT operate blowers when filters are removed. Never disassemble parts to clean without proper instructions. Disassembly is recommended to be performed by qualified personnel only. Read and understand all instructions and warnings in this manual before proceeding.

Specifications:

Specifications ³ :	
Body Design	Seamless Stainless Steel, Satin Finish / Glossy Piano Black Finish
Power Rating	120V / 60Hz (USA & Canada standard)
General Input Power	36 in. 606 W (2 x 300 W + 2 x 3 W) / 48 in. 609 W (2 x 300 W + 3 x 3 W)
Motor Input Power	600 W
Ampere	5,5 A
Levels Of Speed Control	4 Levels
Number Of Motors	Twin Motor
Motor Type	Single Chamber Ultra Quiet
Fan Type	Centrifugal Squirrel Cage
Control Type	Electronic Button Control
Filtration Type	Stainless Steel Baffle Filter
Illumination	36 in. 2 x 3 W LED / 48 in. 3 x 3 W LED
Venting Size	Top, 8 inches Round
Interference Protection	Radio Frequency Interference Protected

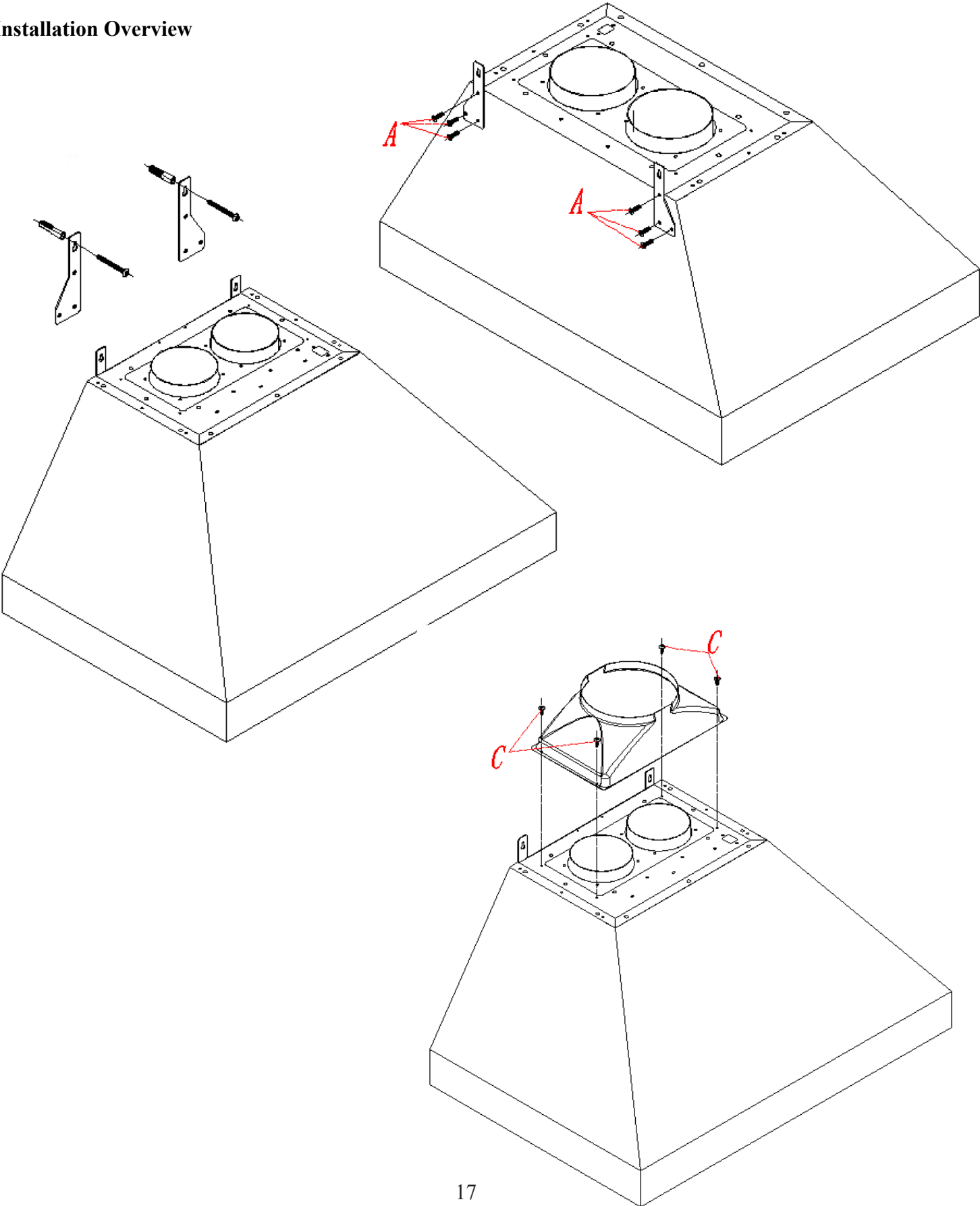
Measurements and diagrams:

Installation Overview



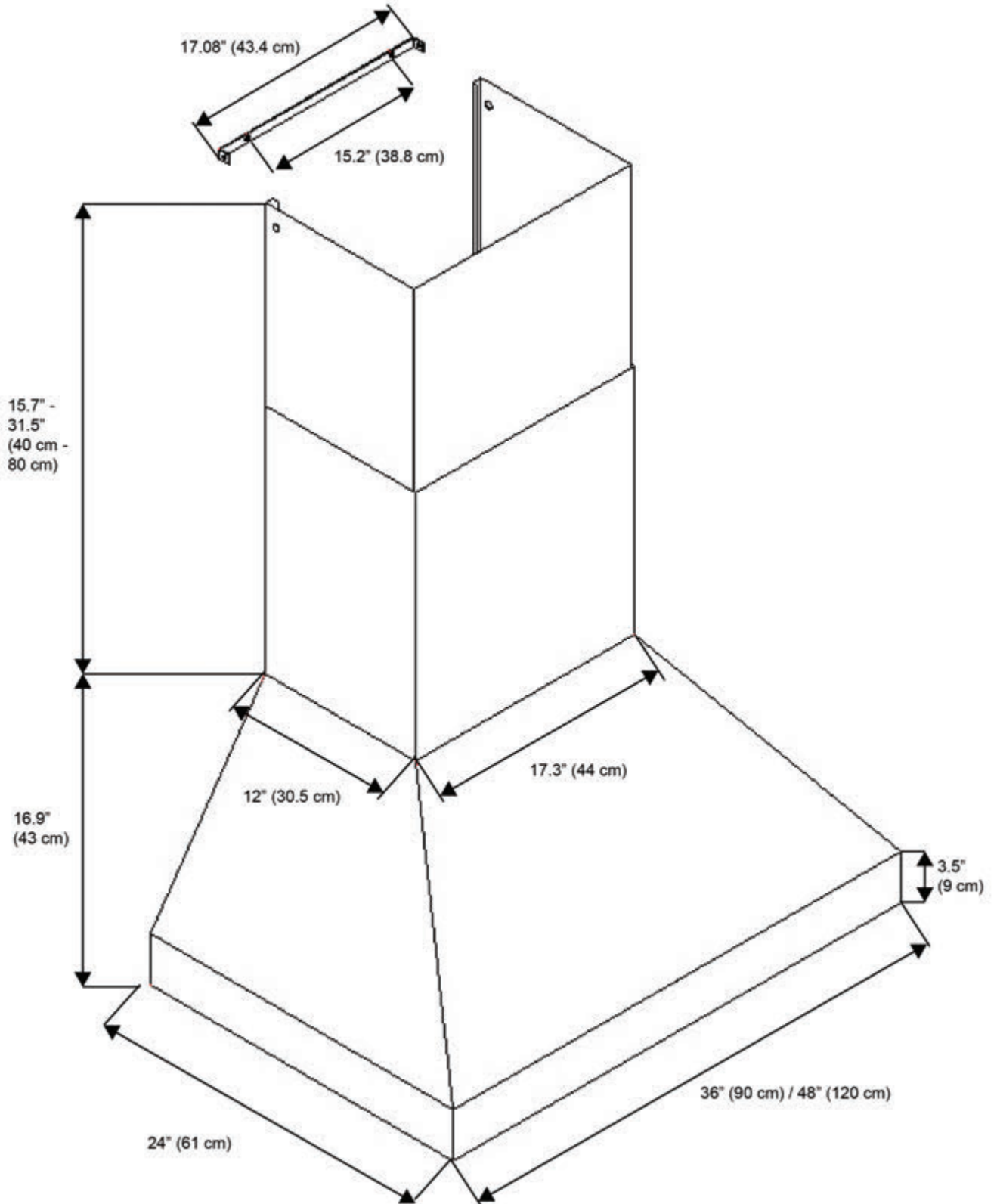
Measurements and diagrams:

Installation Overview



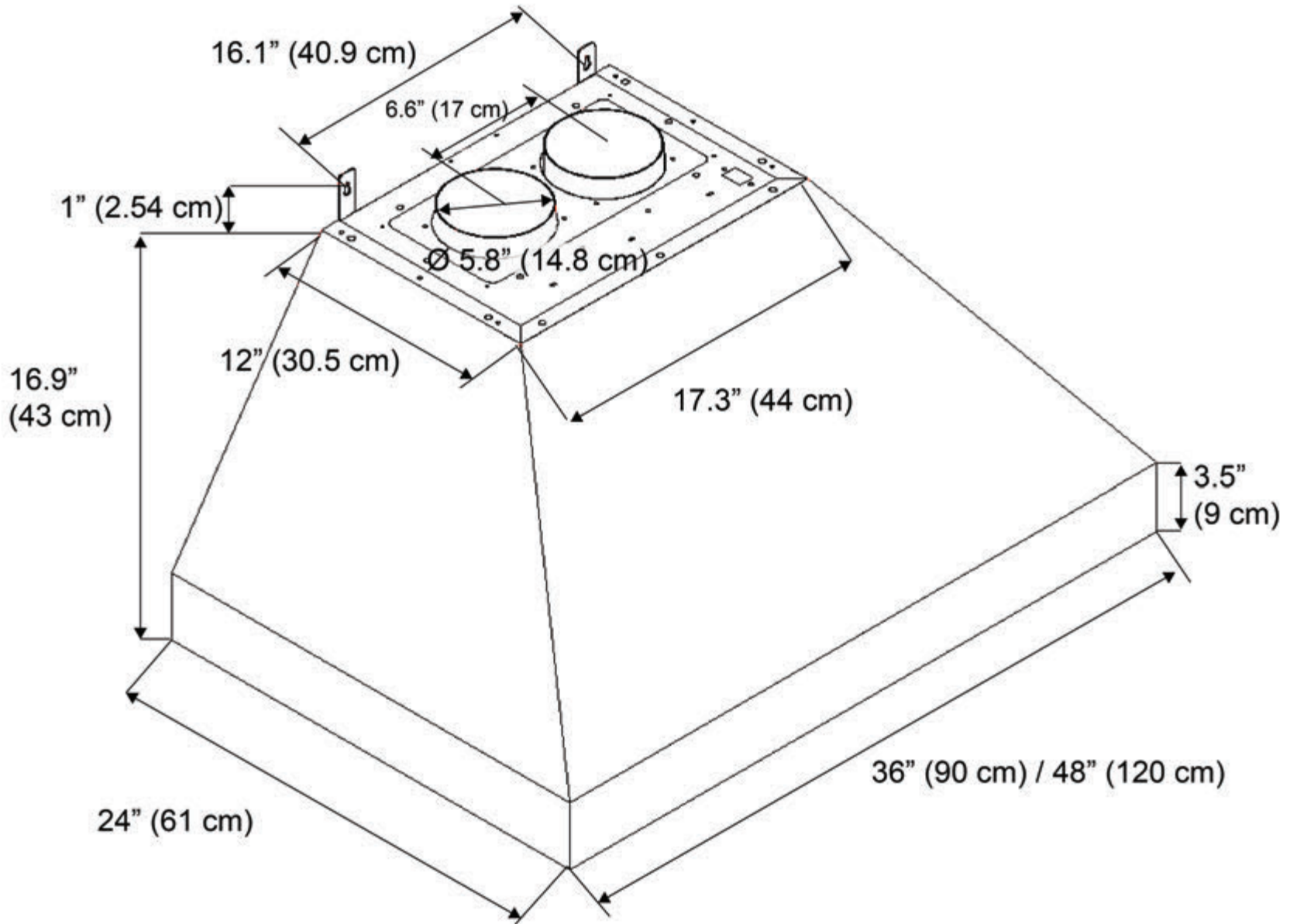
- All measurements in parenthesis are in centimeter.
- All inch measurements are converted from centimeters, thus inch measurements are estimated.

Overall:

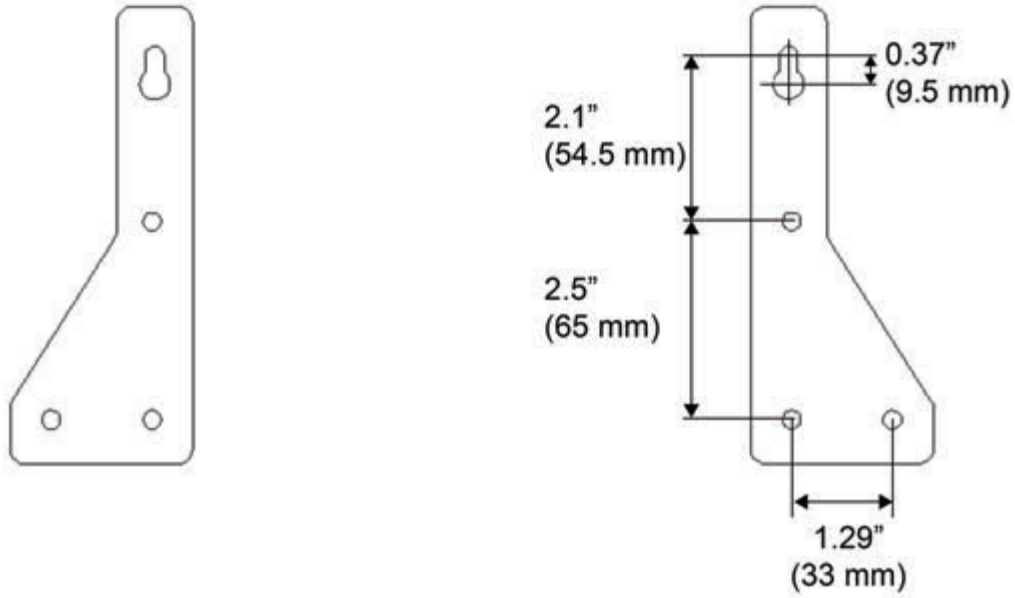


- All measurements in parenthesis are in centimeters.
- All inch measurements are converted from centimeters, thus inch measurements are estimated.

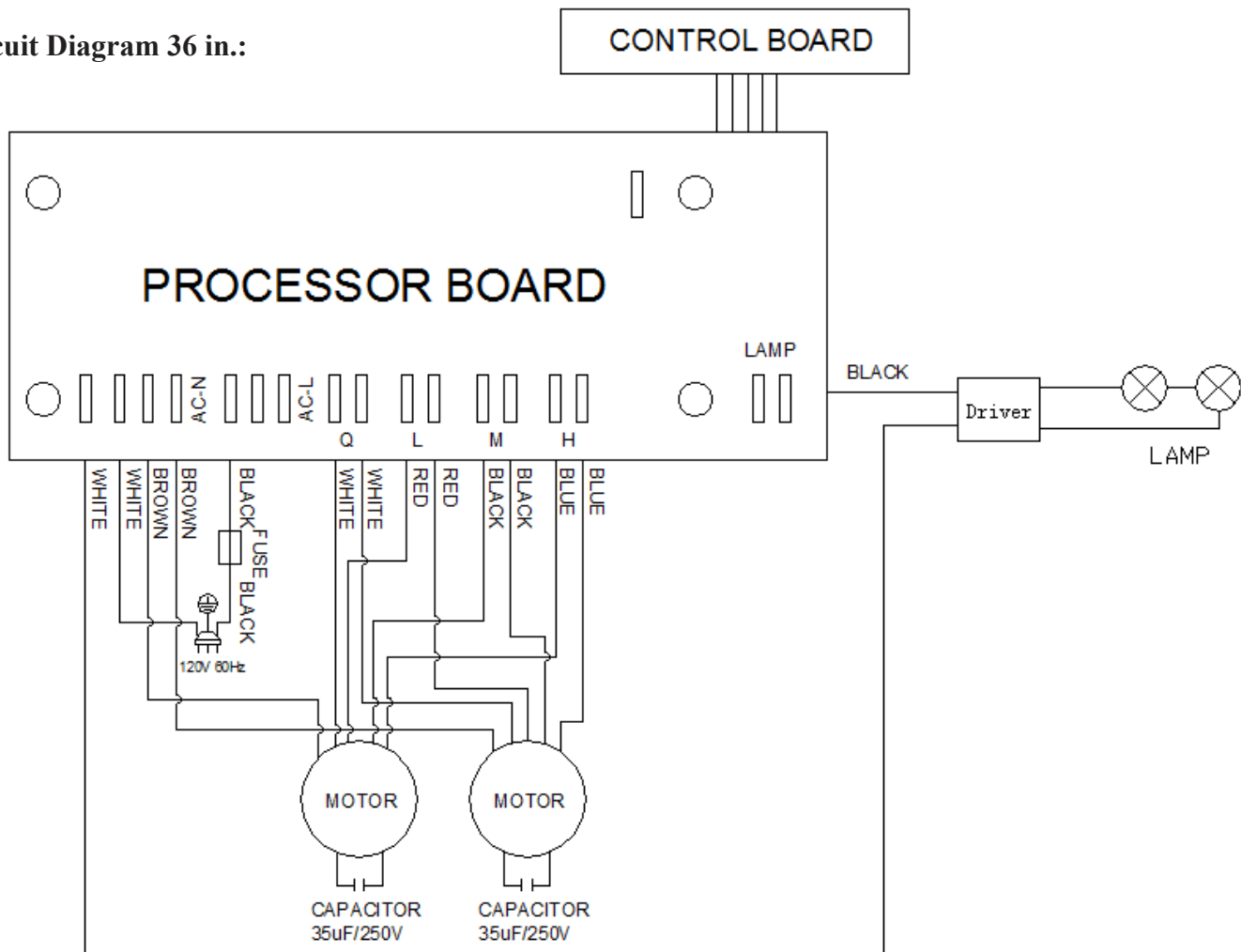
Overall without Chimney:



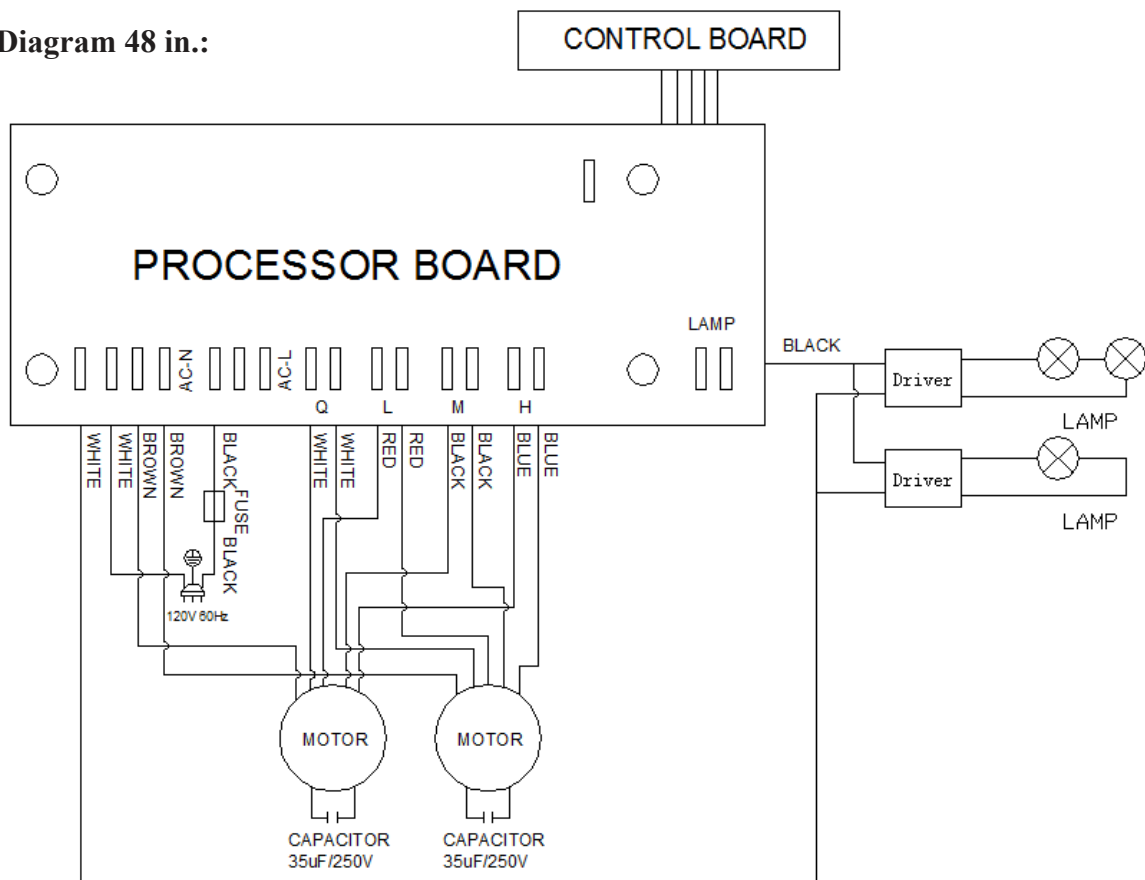
Hood-mounting Bracket:



Circuit Diagram 36 in.:

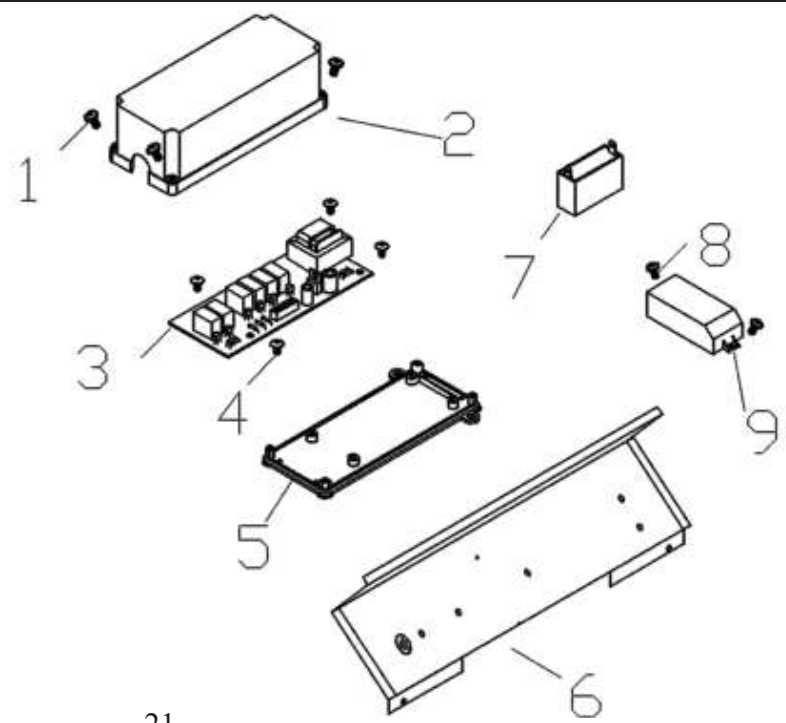


Circuit Diagram 48 in.:



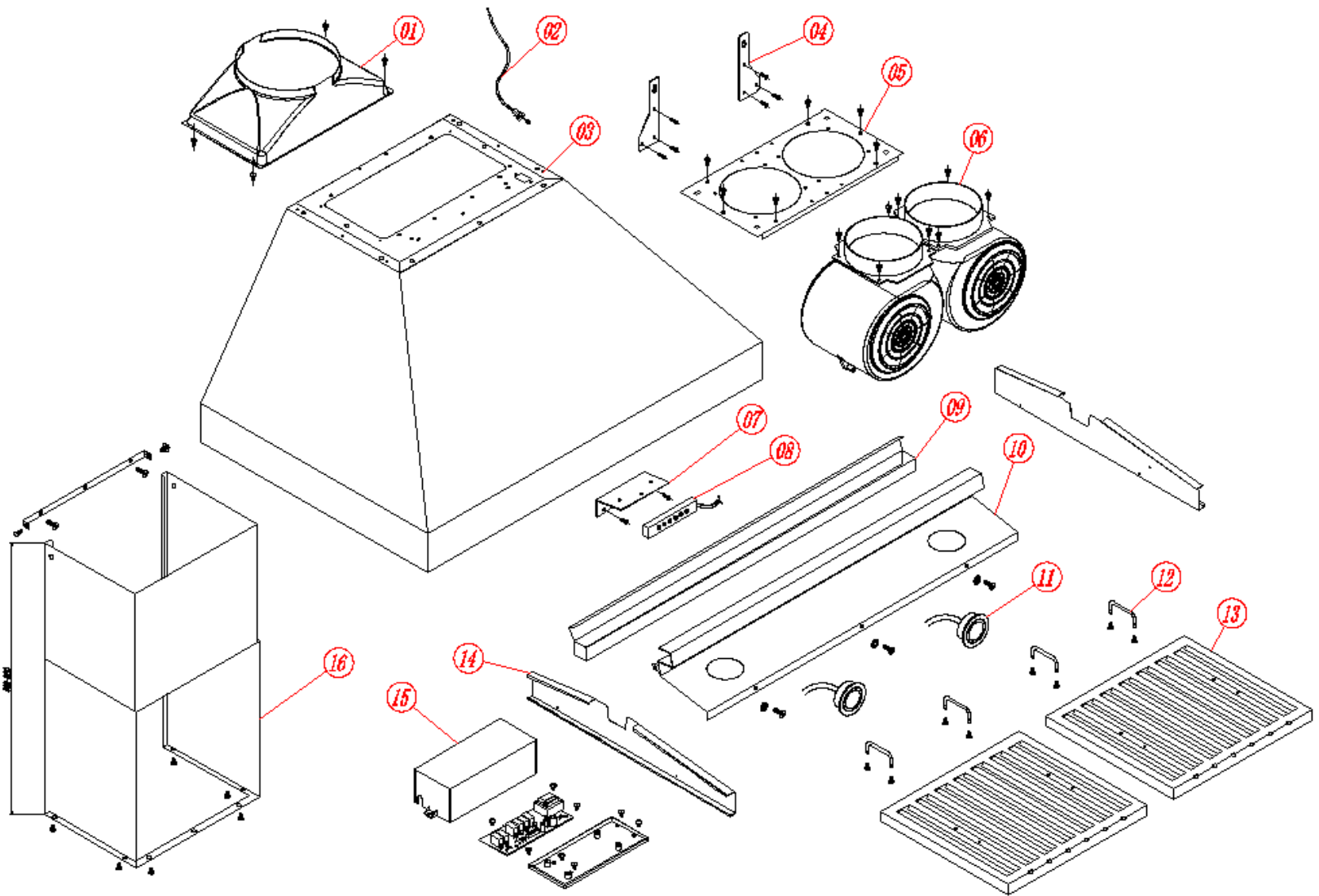
Electrical Assembly:

No.	Description	No.	Description
1	Screws (3/16" x 3/8")	6	Electrical Panel
2	Electrical Box Cover	7	Capacitor
3	Processor Board	8	Screws (3/16" x 3/8")
4	Screws (3/16" x 3/8")	9	LED Light Transformer
5	Electrical Box Base		



Range Hood Assembly:

No.	Description	No.	Description
1	Ducting Transition	9	Oil Tunnel
2	Power cord	10	Light Panel
3	Hood Casing	11	LED Light
4	Mounting Bracket	12	Baffle Filter Handle
5	Top Panel	13	Baffle Filter (30-in: 2pcs / 36-48in: 3pcs)
6	Blower	14	Double Wall Panel
7	Control Bracket	15	PC Board Assembly
8	Control	16	Chimney Set



Maintenance:

SAFETY WARNING: Never put your hand into area housing the fan while the fan is operating!

For optimal operation, clean range hood and all baffle/spacer/filter/oil container regularly. Regular care will help preserve the appearance of the range hood.

Cleaning Exterior surfaces:

- Clean periodically with hot soapy water and clean cotton cloth. **DO NOT** use corrosive or abrasive detergent (e.g. Comet Power Scrub®, EZ-Off® oven cleaner), or steel wool/scoring pads, which will scratch and damage the stainless steel surface. For heavier soil use liquid degrease such as “Formula 409®” or “Fantastic®” brand cleaner.
- If hood looks splotchy (stainless steel hood), use a stainless steel cleaner to clean the surface of the hood. Avoid getting cleaning solution onto or into the control panel. Follow directions of the stainless steel cleaner. **CAUTION: DO NOT leave on too long as this may cause damage to hood finish.** Use soft towel to wipe off the cleaning solution, gently rub off any stubborn spots. Use dry soft towel to dry the hood.
- After cleaning, you may use non abrasive stainless steel polish such as 3M® or ZEP®, to polish and buff out the stainless luster and grain. Always scrub lightly, with clean cotton cloth, and with the grain.
- **DO NOT** allow deposits to accumulate or remain on the hood.
- **DO NOT** use ordinary steel wool or steel brushes. Small bits of steel may adhere to the surface and cause rusting.
- **DO NOT** allow salt solutions, disinfectants, bleaches, or cleaning compounds to remain in contact with stainless steel for extended periods. Many of these compounds contain chemicals, which may be harmful. Rinse with water after exposure and wipe dry with a clean cloth.

Cleaning Stainless Steel Baffle Filter:

IMPORTANT: Drain oil from baffles, spacers, filters, oil tunnels, oil containers before oil and residue overflow!

- Remove all baffles, spacers, filters, and oil containers and discard oil and residue.
- Wash with warm soapy water. **NOTE:** Stainless steel baffles, spacers and oil tunnel are top rack dishwasher safe.
- Dry thoroughly before replacing and follow directions for installation in reverse.
- Filters should be cleaned after every 30 hours of use.

Replacing Filters:

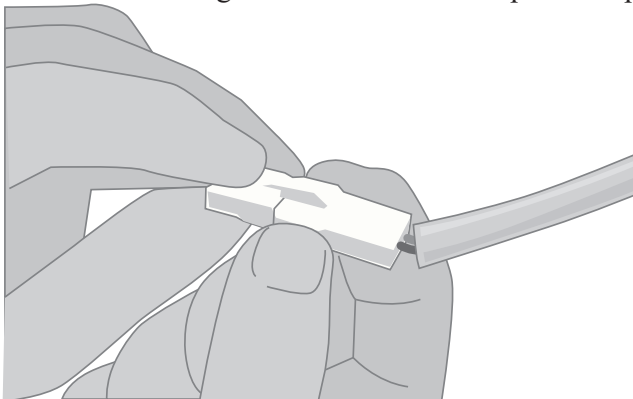
- Replace filters if they wear out due to age and prolonged use

Replacing the light bulb:

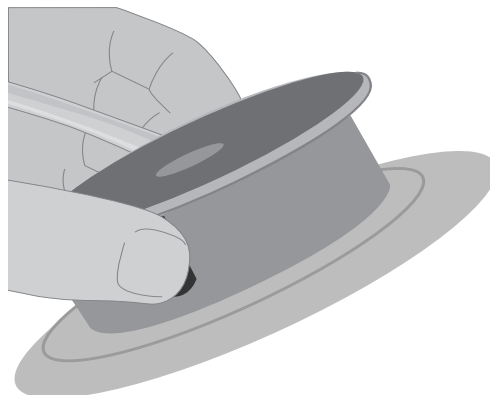
1 Remove baffle filter as per installation.

2 Make sure the hood is disconnected or close the circuit breaker.

Reach into the range hood and disconnect power clip.



3 Reach into interior of range hood until touching both lateral clips located on the side of the puck light. Gently squeeze and push down until puck pops out from its location.



4 To reinstall new puck light, follow instruction **3** in reverse order.