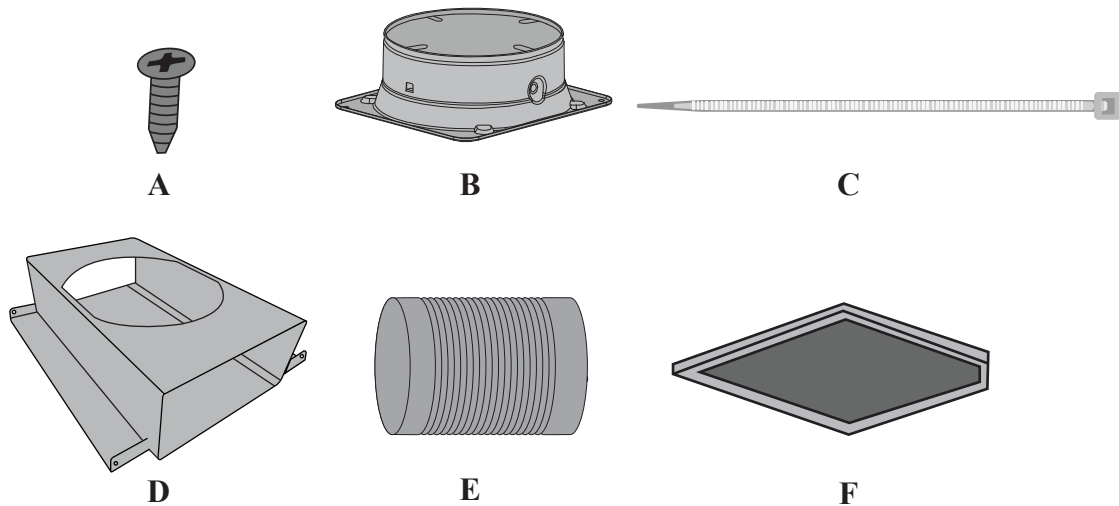


# Instructions for Recirculation Kits

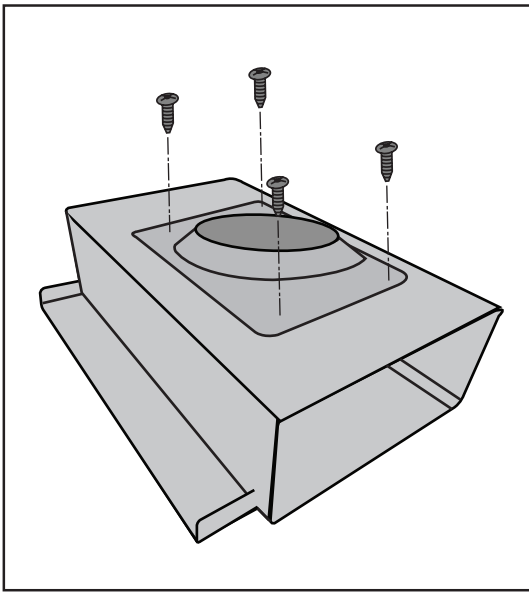
## This pack includes:

1. 8 + 1 screws (A) for Damper and Chimney
2. 1 damper (B)
3. 2 clamps (C)
4. 1 recirculation box (D)
5. 1 extension tube (150mm\*1.5m; 6'' x 4') (E)
6. 1 square charcoal filter (F)

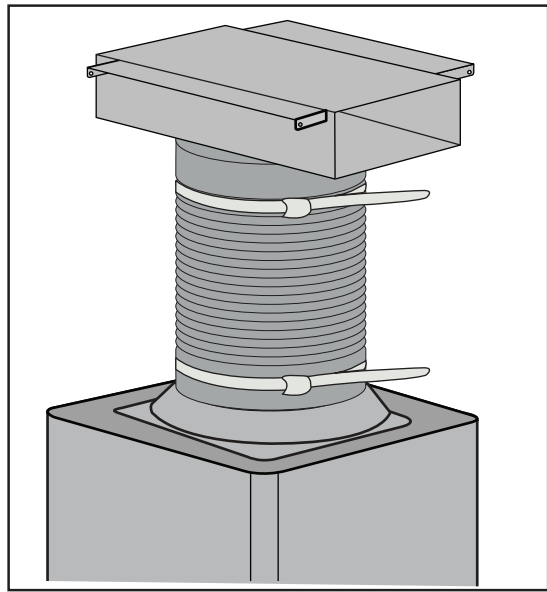


## Installation:

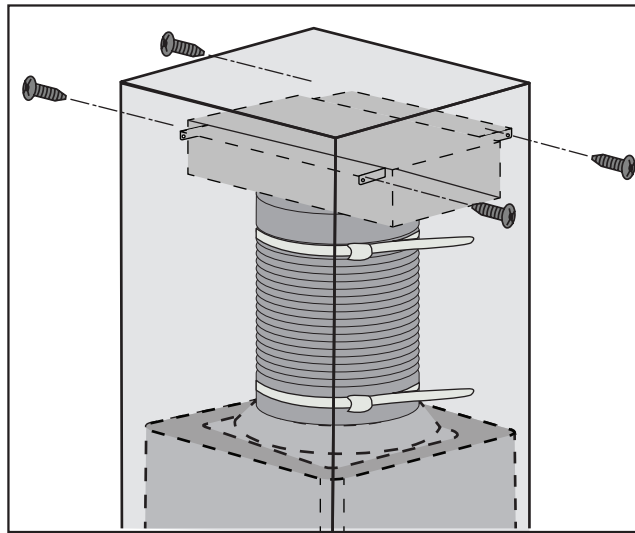
1. Step 1:
  - a) Fix the damper (B) on the recirculation box (D) using 4 of the screws (A) provided. See Figure 1.
2. Step 2:
  - a) Connect the extension tube (E) to the damper on top of the range hood using one of the clamp provided (C) to tighten the tube around the recirculation box (D).
  - b) Connect the extension tube (E) to the recirculation box (D) installed in Step 1 using the other clamp (C). See Figure 2.
3. Step 3:
  - a) Adjust the length of the extension tube, and put the chimney on the body, then fix the recirculation box on inside chimney with 4 screws (A). See Figure 3.
4. Step 4:
  - a) Attach the square charcoal filter (F) inside the range hood. See Figure 4.



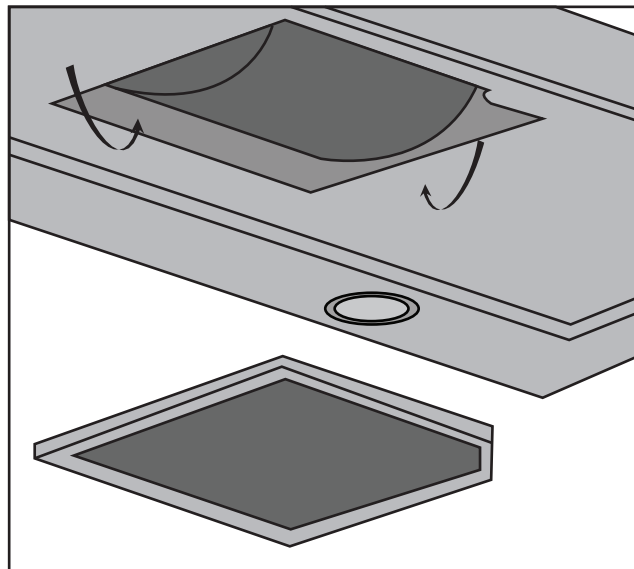
**Figure 1**



**Figure 2**



**Figure 3**



**Figure 4**