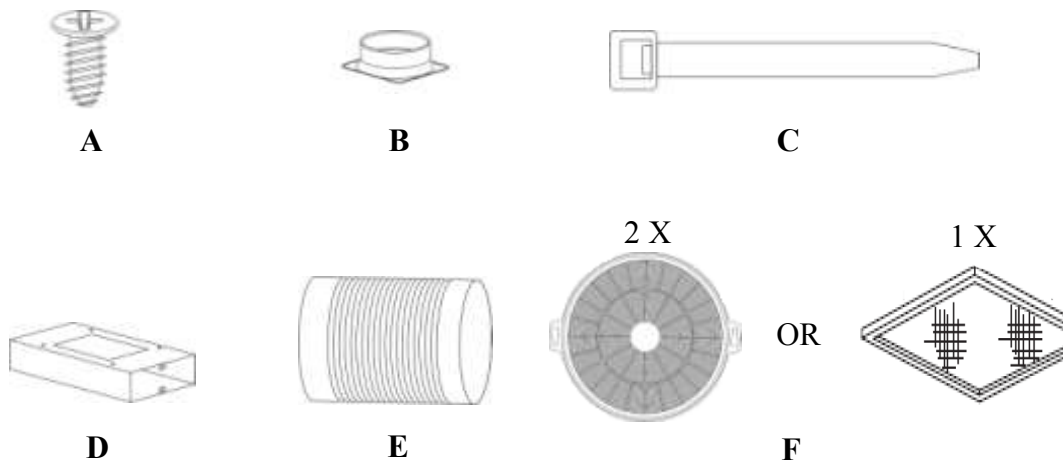


Instructions for Recirculation Kits

This pack includes:

1. 6 + 1 screws (A) for Damper and Chimney
2. 1 damper (B)
3. 2 clamps (C)
4. 1 recirculation box (D)
5. 1 extension tube (150mm*1.5m; 6" x 4") (E)
6. 2 round carbon filters or 1 square carbon filter (F)



Installation:

1. Step 1:
 - a) Fix the damper(B) on the recirculation box (D) using 4 of the screws (A) provided. See Figure 1.
2. Step 2:
 - a) Connect the extension tube (E) to the damper on top of the range hood using one of the clamp provided (C) to tighten the tube around the recirculation box (D).
 - b) Connect the extension tube (E) to the recirculation box (D) installed in Step 1 using the other clamp (C). See Figure 2.
3. Step 3:
 - a) Adjust the length of the extension tube, and put the chimney on the body, then fix the recirculation box on inside chimney with 2 screws (A). See Figure 3.
4. Step 4:
 - a) Attach the 2 round carbon filters or 1 square carbon filter (F) onto the range hood. See Figure 4.

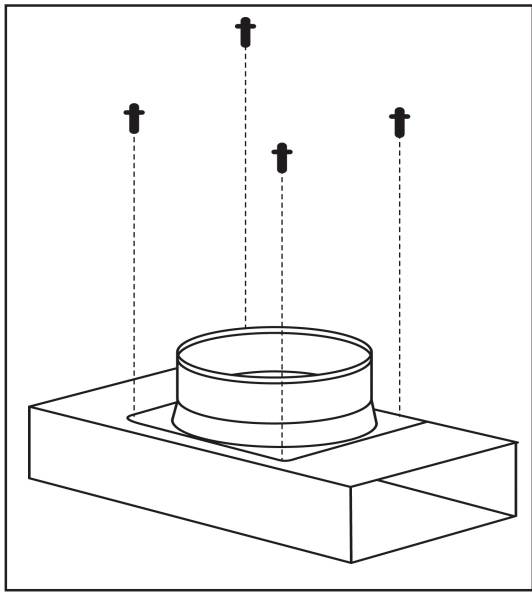


Figure 1

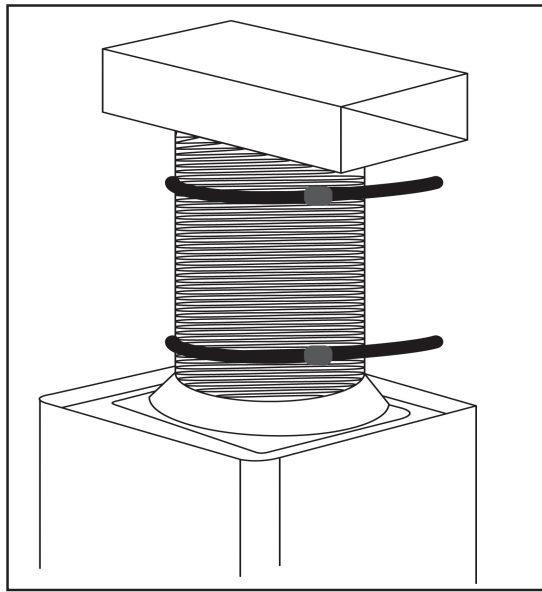


Figure 2

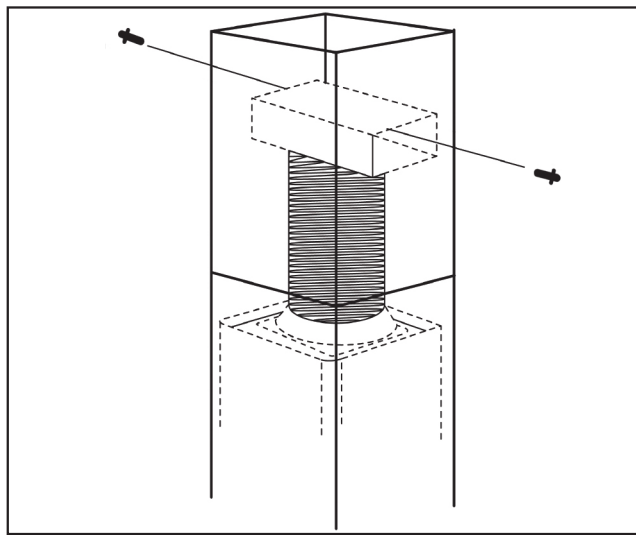
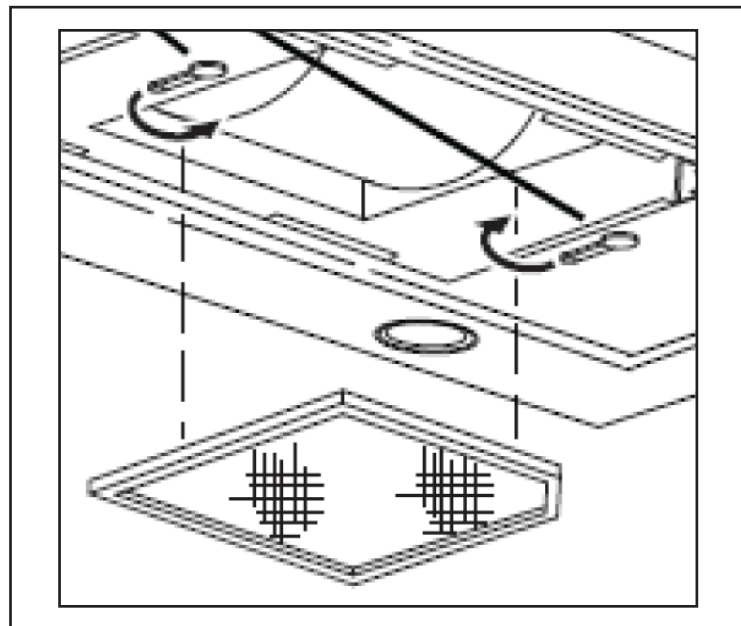
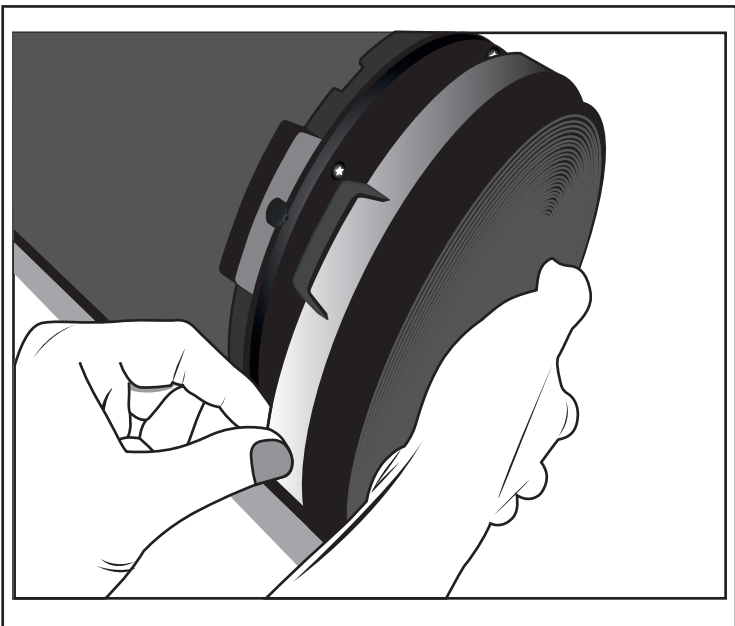


Figure 3



OR/
OU

Figure 4