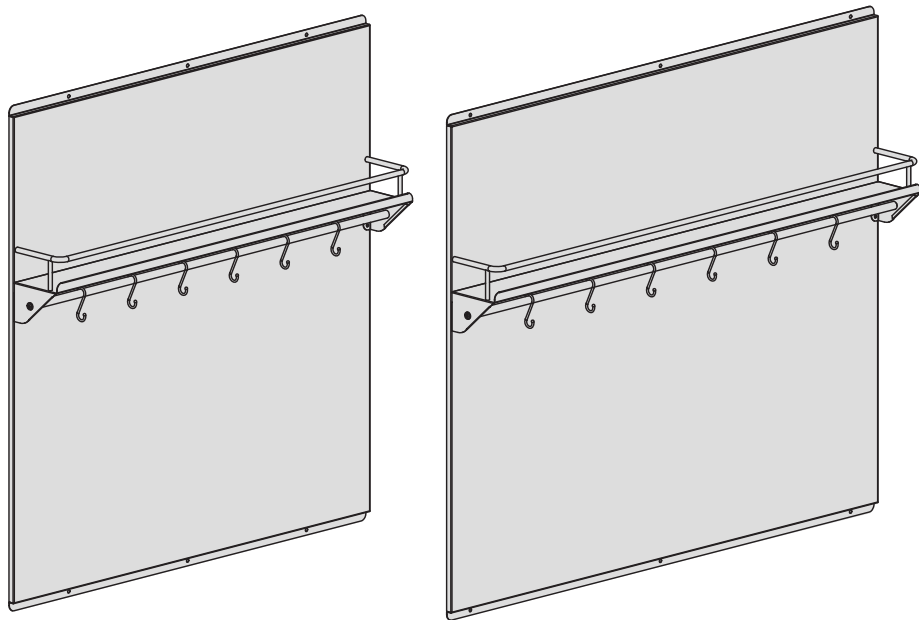




Backsplash with Rail and Shelf 30'' and 36''



User Manual & Installation Instructions

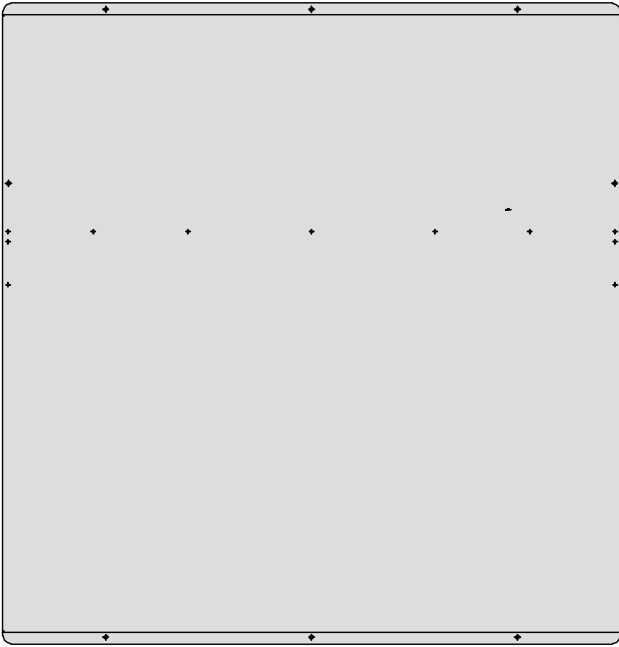
IMPORTANT SAFETY INSTRUCTIONS
Carefully read the important information
regarding installation, safety and maintenance.
Keep these instructions for future reference.

MAPBS1232-06
2021-09-01

Included Parts



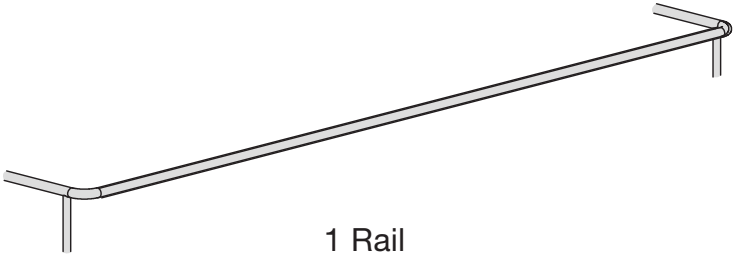
Hardware Note: For safety reasons, backsplash mounting screws and anchors will not be included due to the variation of cabinetry constructions and wall material. Please consult your installation specialist regarding the optimal type of mounting screws and wall anchors to suit your home's construction.



1 Backsplash



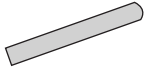
1 Shelf



1 Rail



6 Hooks



2 Pillars



2 + 1 Screws M4x10



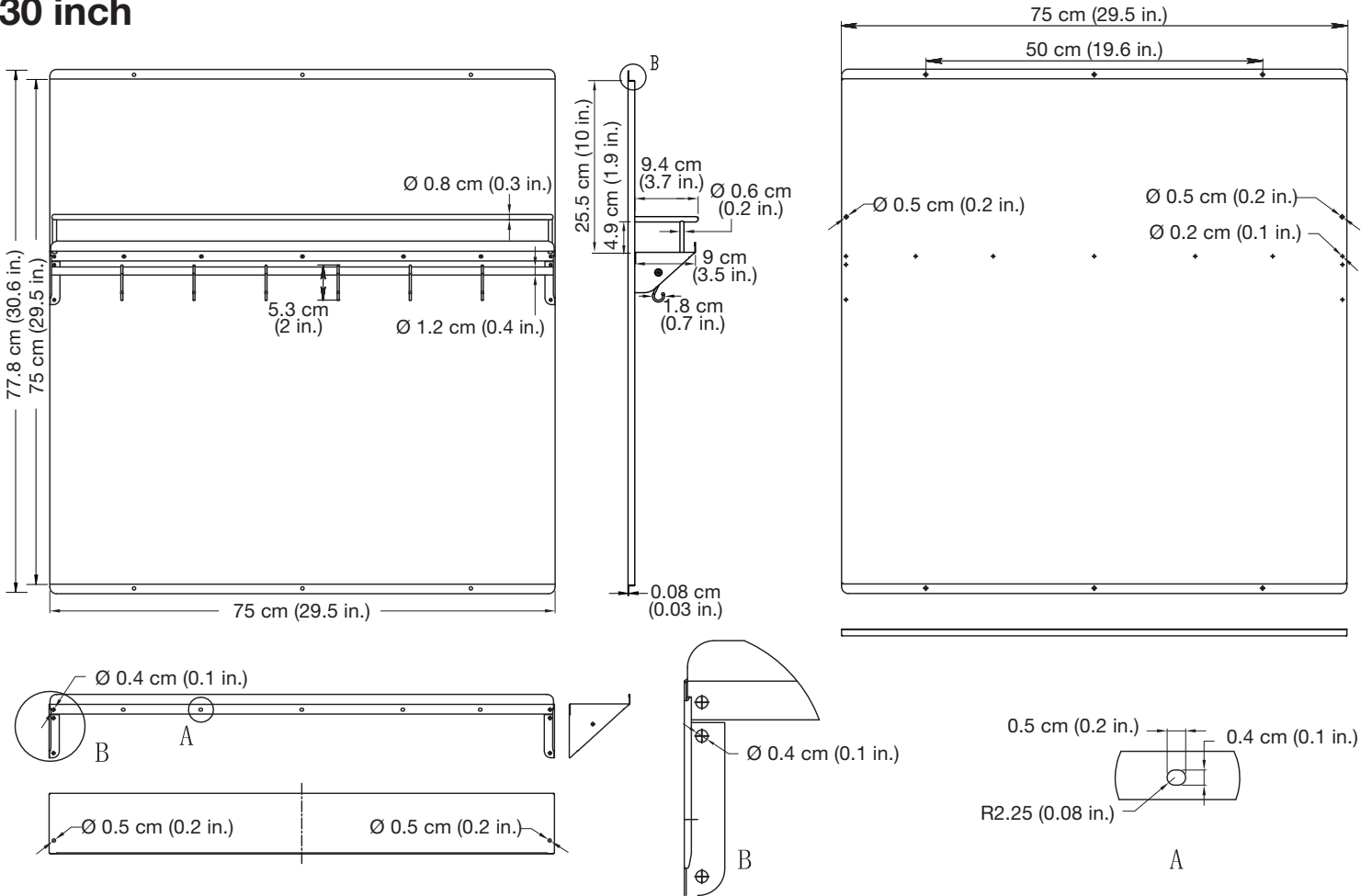
11 + 1 Screws ST4x8



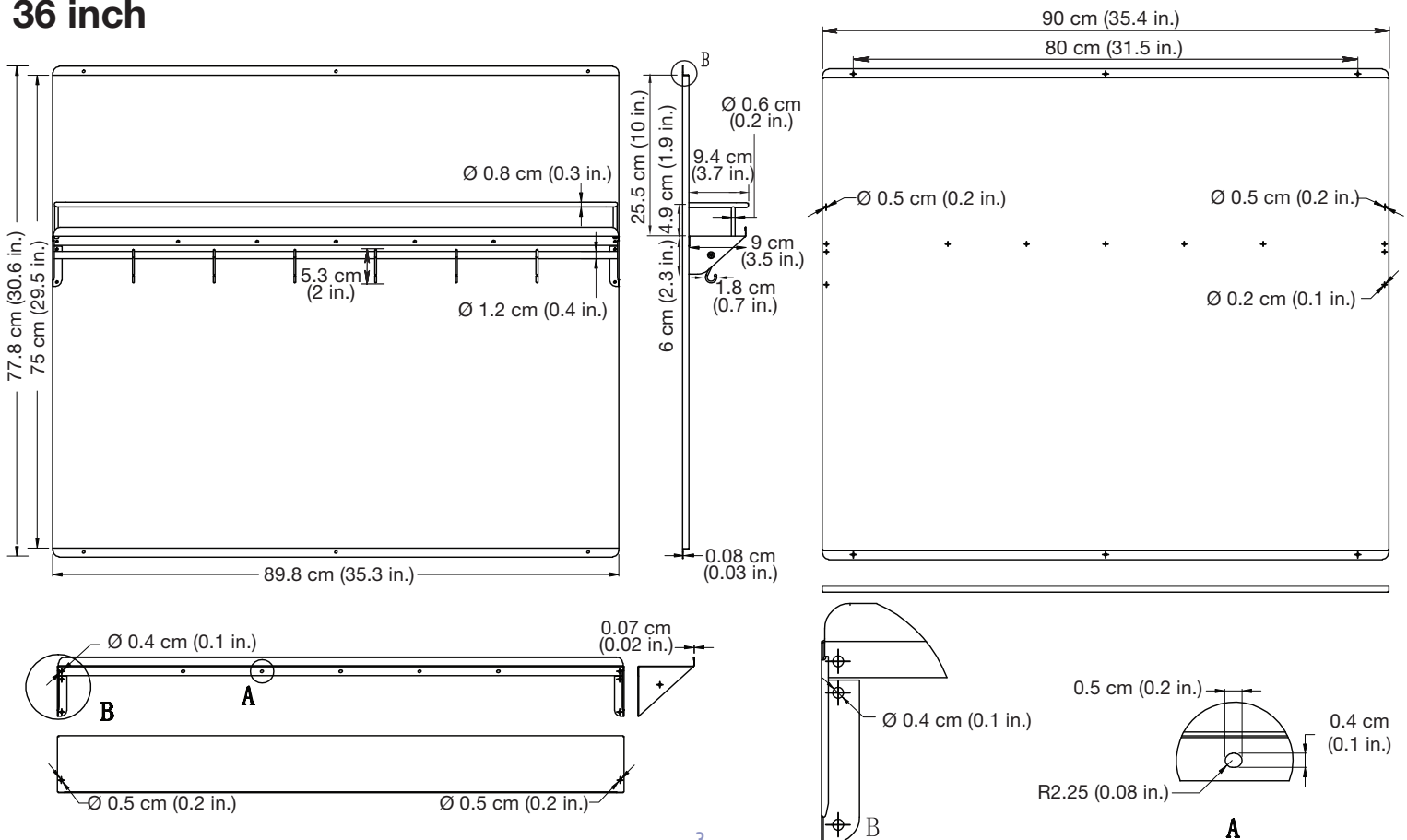
2 + 1 Screws M4x50

Measurements and Diagrams

30 inch



36 inch



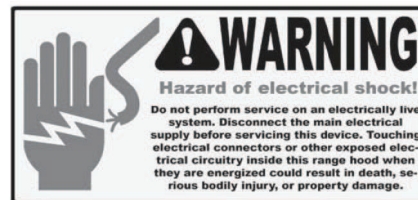
Installation



IMPORTANT SAFETY INFORMATION

READ ALL INSTRUCTIONS BEFORE INSTALLING

Note: Use threaded drywall anchors only when mounting the backsplash on sheetrock.



- The backsplash installs to cover the wall space from the bottom of the hood to the cooktop/counter.
- It can be installed during the installation of the hood or after.
- If the hood is already installed, remove the hood filters, grease trays and lights and put in a safe place. Then if necessary, remove the hood to allow installation of the backsplash.

1. Open the packaging carefully to avoid damaging the backsplash.
2. Install the Shelf to backsplash using 11 supplied Screws ST4×8 (see Figure 1).
3. Install the Rail to backsplash using 2 supplied screws M4×10 (see Figure 2).
4. Fix the Pillar to Rail using 2 supplied screws M4×50 and 2 supplied Pillars, secure the Rail to Shelf (see Figure 2).

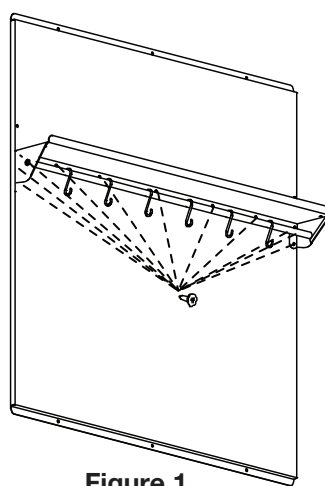


Figure 1

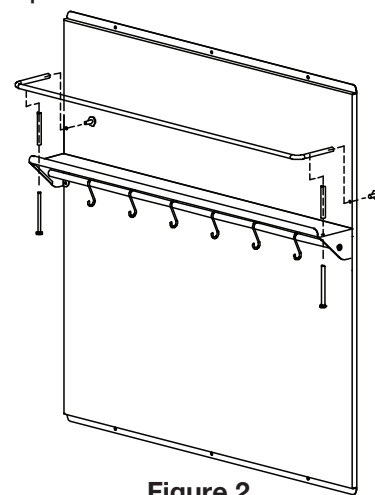


Figure 2

5. Locate the midpoint of the hood at the wall. Draw a vertical centerline from this midpoint to the cooktop.
6. Position the backsplash on wall centered on the marked centerline and with lower edge flush with the cooktop/counter.
7. Mark where the screw holes are on the bottom and the top, drill the holes and screw in the wall anchors. Fix the backsplash to the wall with screws on the bottom and the top (see Figure 3).

8. Install the hood (see Figure 4).

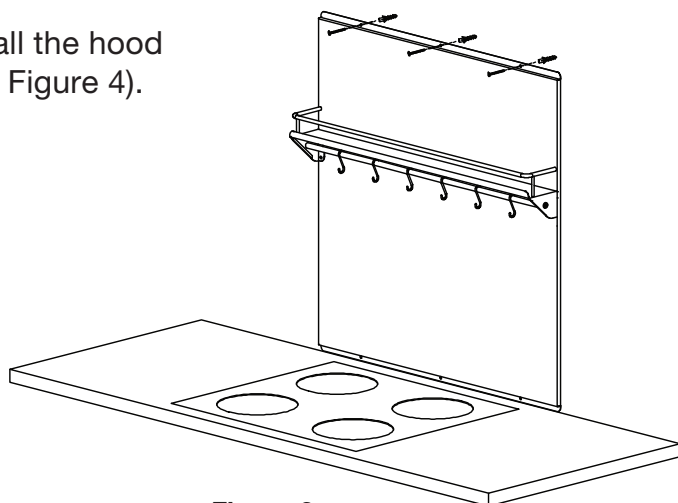


Figure 3

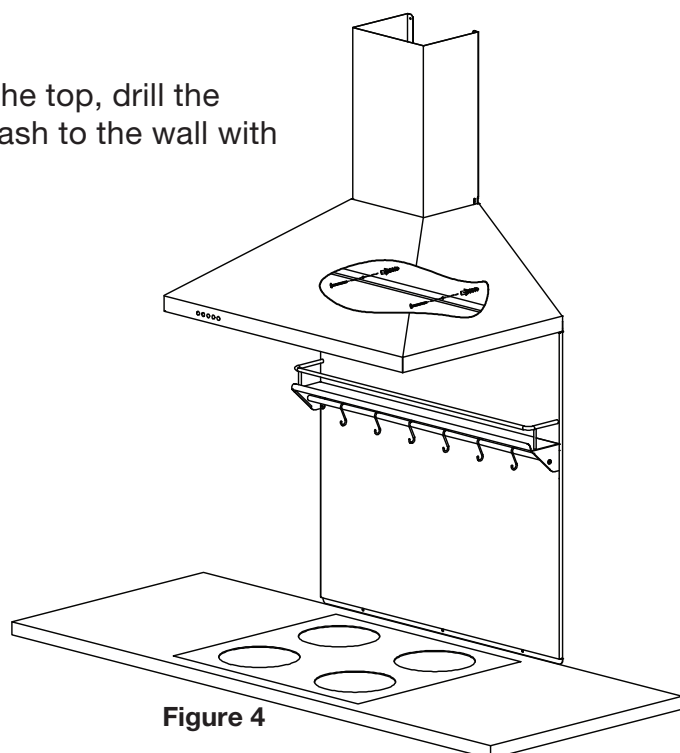


Figure 4

9. Remove the plastic cover from backsplash once it's fixed to the wall.

Use and Care Information

Cleaning Exterior Surfaces

- Clean periodically with hot soapy water and clean cotton cloth. DO NOT use corrosive or abrasive detergent (e.g. Comet Power Scrub®, EZ-Off® oven cleaner), or steel wool/scoring pads, which will scratch and damage the stainless steel surface. For heavier soil use liquid degrease such as “Formula 409®” or “Fantastic®” brand cleaner.
- If backsplash looks splotchy (stainless steel hood), use a stainless steel cleaner to clean the surface of the backsplash. Follow directions of the stainless steel cleaner.
CAUTION: DO NOT leave on too long as this may cause damage to the backsplash finish.
Use a soft towel to wipe off the cleaning solution, gently rub off any stubborn spots. Use a dry soft towel to dry the backsplash.
- After cleaning, you may use non-abrasive stainless steel polish such as 3M® or ZEP®, to polish and buff out the stainless luster and grain. Always scrub lightly, with clean cotton cloth, and with the grain.
- DO NOT allow deposits to accumulate or remain on the backsplash.
- DO NOT use ordinary steel wool or steel brushes. Small bits of steel may adhere to the surface and cause rusting.
- DO NOT allow salt solutions, disinfectants, bleaches, or cleaning compounds to remain in contact with stainless steel for extended periods. Many of these compounds contain chemicals, which may be harmful.
- Rinse with water after exposure to these compounds and wipe dry with a clean cloth.

Please register your product warranty by visiting the Ancona Home website.



Canada & USA

Phone: 1-800-350-4562

Fax: 800-350-8563

Email: service@anconahome.com

Website: www.anconahome.com

MAPBS1232-06

© 2021 Copyright of Ancona Home. All rights reserved. This material may not be reproduced, displayed, modified or distributed.