



Linea

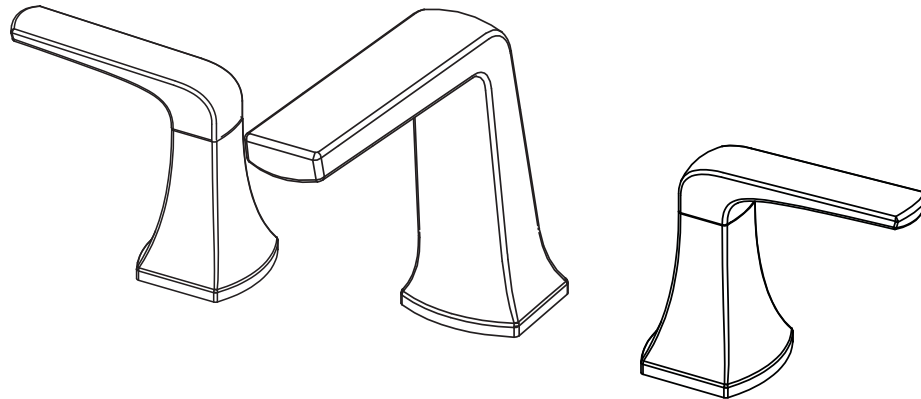


Widespread Lavatory Bathroom Faucet

STANDARDS

- ASME A112.18.1/CSA B125.1
- ASME A112.18.2/CSA B125.2
- LISTED IAPMO/cUPC

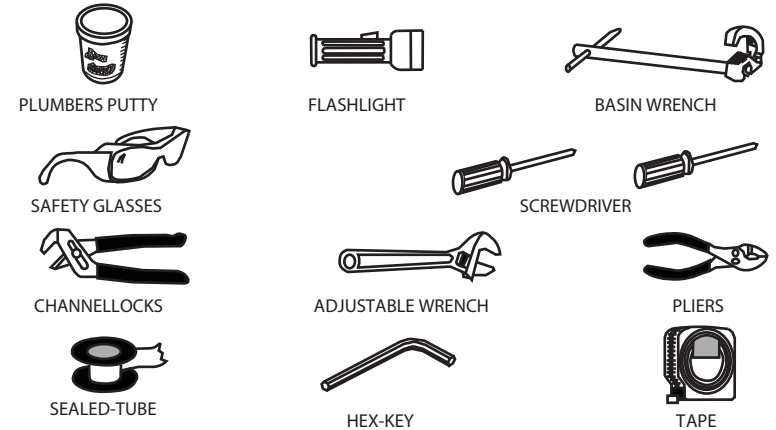
- 1.2 gpm/4.5 L/min



Helpful Information

Tools:

Gather the necessary tools as shown below to complete the installation of this faucet. Some may not be needed depending on the model of faucet you are installing. Check with your local hardware store on the requirements of your installation situation.



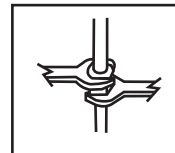
! WARNING:
Please keep the tools for future use!

Attention:

For easy installation, you will need:

- To read all the installation instructions completely before beginning.
- To read all the warning, attention and maintenance information.
- To purchase the proper supply lines.

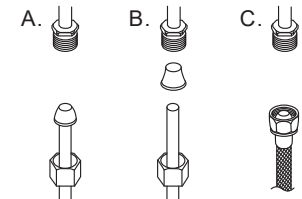
Important



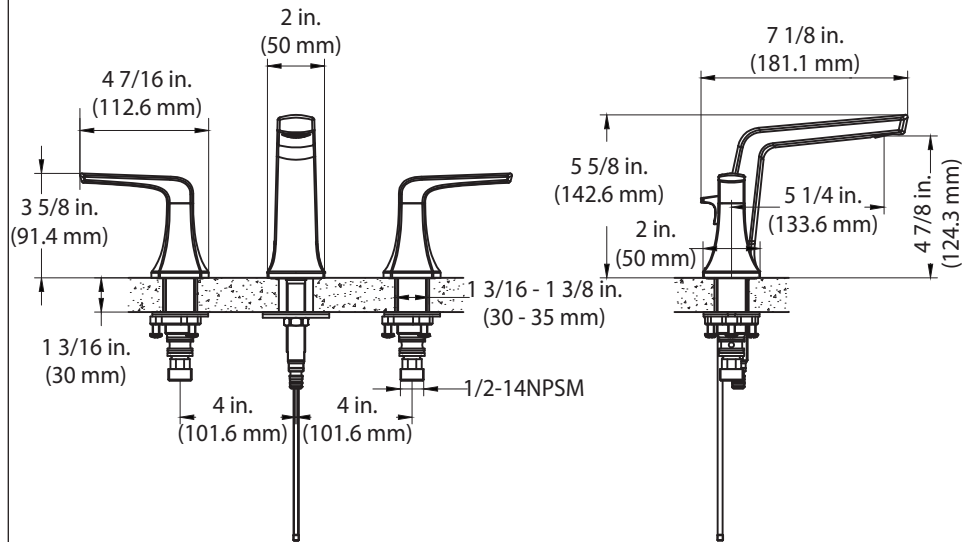
Tighten connection with two wrenches to prevent damage to tube body. Be careful not to bend the stem as this will void the product warranty.

Connect to water supply lines with either:

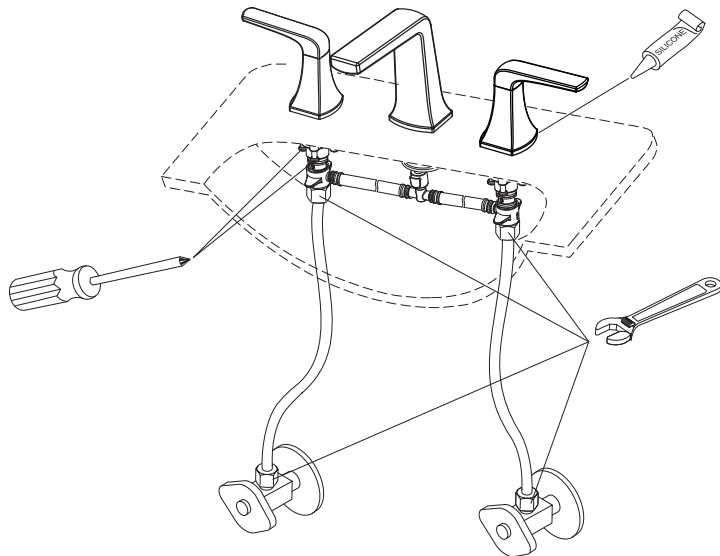
- A) 3/8" O.D.copper tubing (ball nose risers with the coupling nuts or;
- B) 3/8" copper tubing (no ball)with supplied tube head interior connector or;
- C) IPS faucet connectors (1/2") .



Installation size map

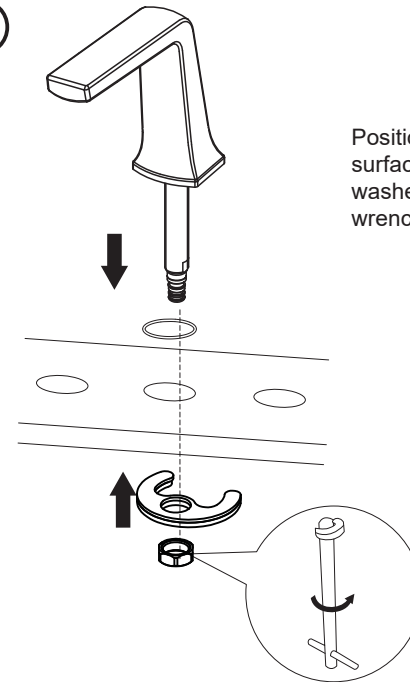


Tools might be applied to the following places:



Faucet Installation

①

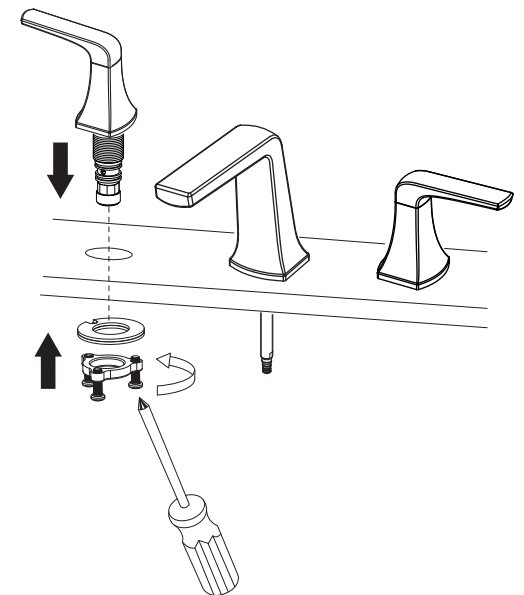


Position the body with o-ring on the installation surface as shown and secure it with metal washer and tighten the lock nut with basin wrench.

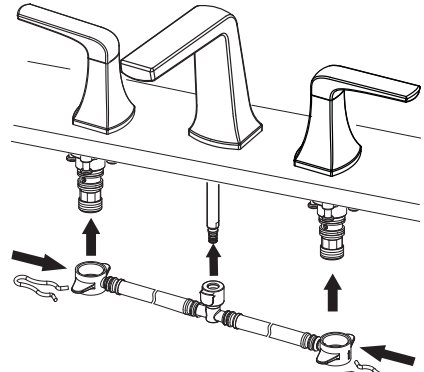
②

Position the handle on installation surface as shown, secure it with fixing kit and tighten the screw with screwdriver. Repeat the above steps for the other handle.

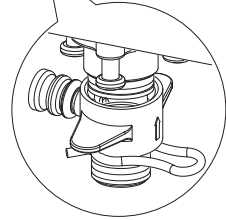
Caution: please be careful with the position of hot and cold handles.



3



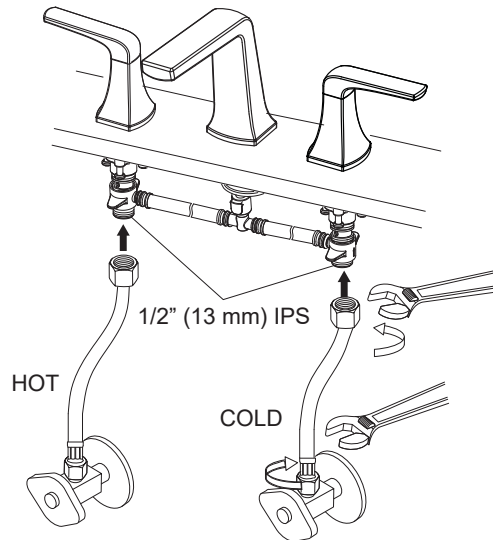
Position the flexible hose and fix it to the faucet as shown with clamp spring.



4

Connect the water supply lines to faucet and water supply valves, then tighten it with wrench.

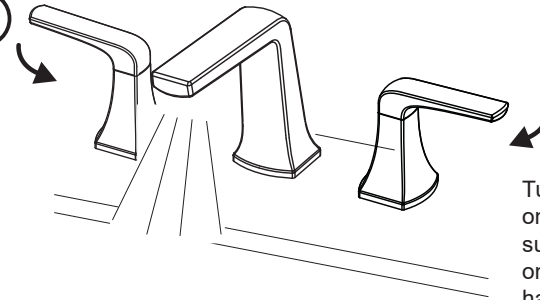
Warning: The water supply valves mentioned above are not included, please purchase them at your local hardware store.



WARNING: DON'T OVERTIGHTEN!

Checking and Testing

5



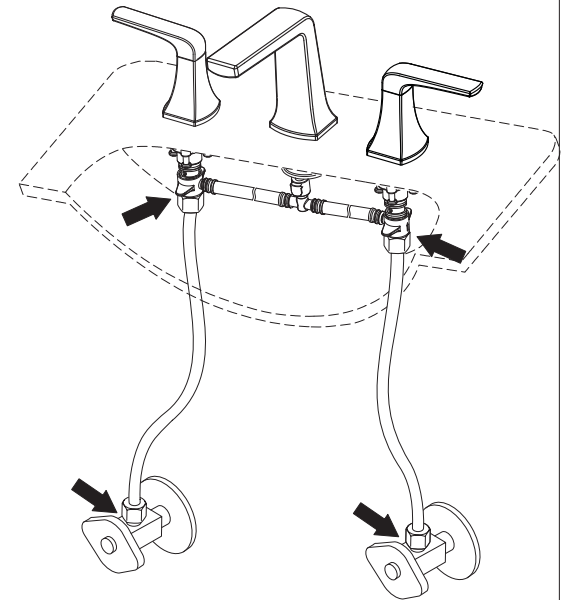
Turn the faucet handle all the way on, turn on hot and cold water supply and flush water lines for one minute. Reinstall aerator by hand.

6

Check all connections at arrows for leaks, retighten if necessary.



BUT DON'T OVERTIGHTEN



Maintenance:

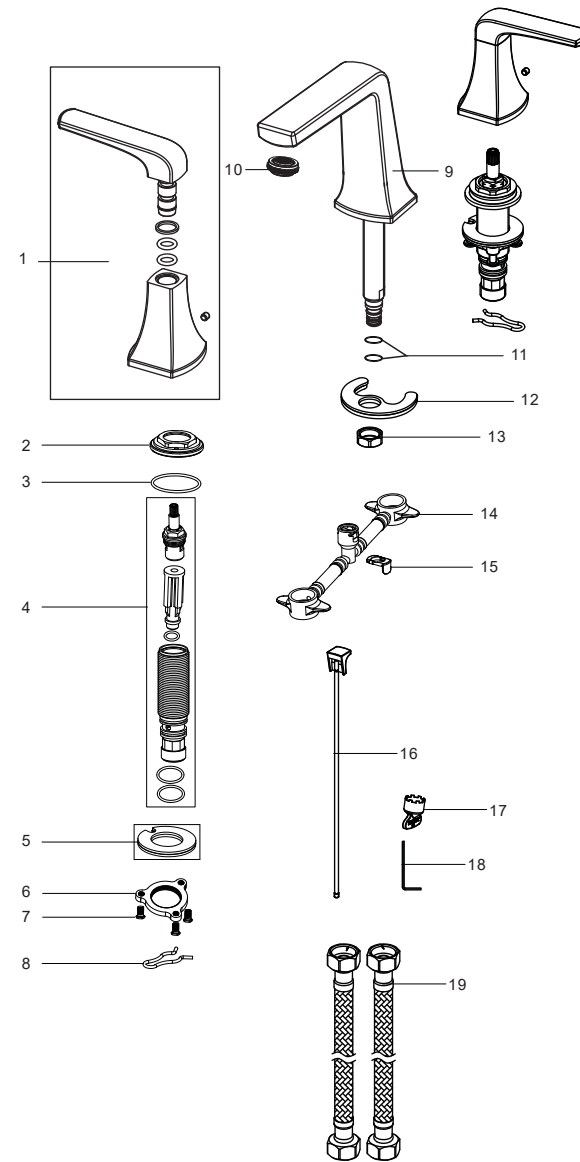
Simply rinse the surface with clear water or mild liquid detergents (if necessary). Dry the faucet with a clean soft cotton cloth. Do not use any cleaning agents containing acids polish abrasives or harsh cleaners.

Cleaning and care

Daily cleaning and care are required in order to keep the product shining and working properly.

1. Clean it with water and dry it with soft cloth.
2. Clean the product with gentle liquid or glass cleaner.
3. Don't use acid cleaner.
4. Don't clean with abrasive material, abrasive paper or knife.

Parts list



NO.	PART NAME
1	Handle assembly
2	Lock nut
3	O-ring
4	Water valve assembly
5	Gasket assembly
6	Lock nut
7	Screw
8	Clamp spring
9	Spout
10	Aerator
11	Base
12	Gasket assembly
13	Nut
14	Flexible hose
15	Plastic lock ring
16	Lift rod
17	Aerator wrench
18	Allen key
19	Flexible hose