



Prima

• Bathroom Faucet

• **STANDARDS**

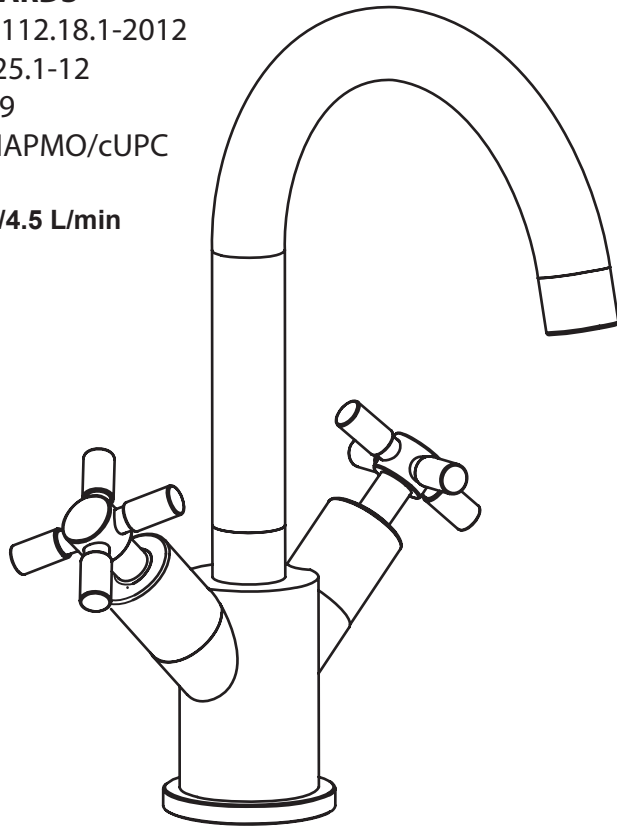
ASME A112.18.1-2012

CSA B125.1-12

NSF 61-9

LISTED IAPMO/cUPC

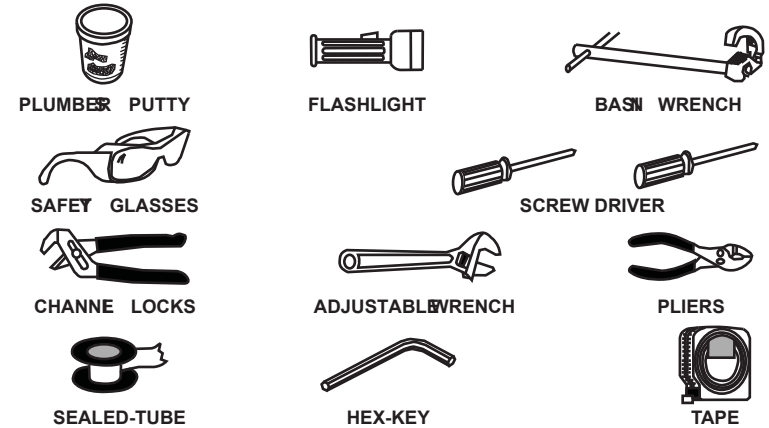
• 1.2 gpm/4.5 L/min



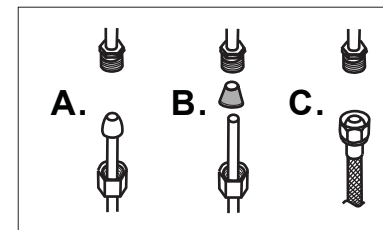
Helpful Information

Tools:

Gather the necessary tools as shown below to complete the installation of this faucet. Some may not be needed depending on the model of faucet you are installing. Check with your local hardware store on the requirements of your installation situation.

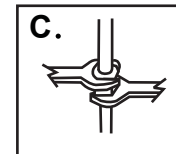


Configuration



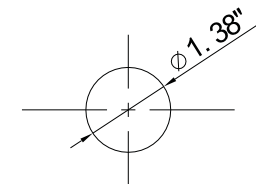
Connect to water supply lines with either:
(A) 3/8" O.D. copper tubing (ball nose risers with the coupling nuts or;
(B) 3/8" copper tubing (no ball) with supplied tube head interior connector or;
(C) IPS faucet connectors (1/2") .

Important

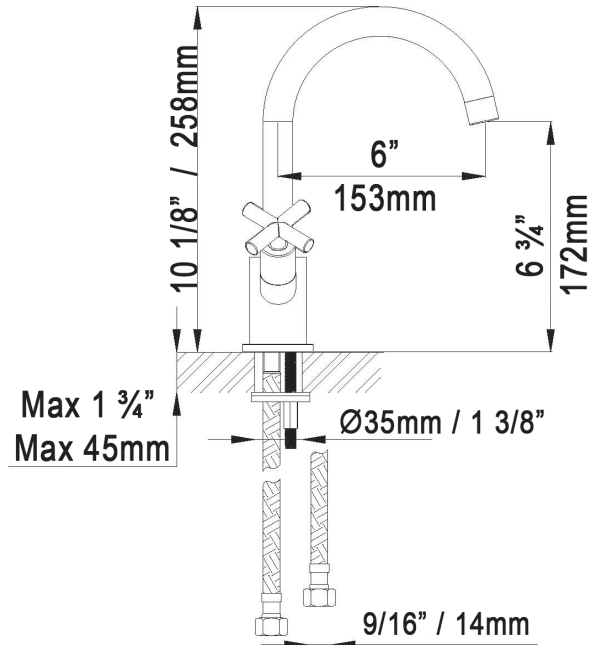


800-102

Tighten connection with two wrench to prevent damage to tube body. Be careful not to bend the stem as this will void the product warranty.



Installation Size Map



Single Hole Installation

Step 1: Preparation: Turn off water supplies and drain water lines. Clean installation site and remove any debris from the area.

Step 2: Connect Supply Hoses: A. Screw supply hoses (2) and (3) into base of faucet body (1).

B. Screw in steel post (4) into base of faucet body (1).

Step 3: Secure Spout Body (1) in place:

C. Insert black rubber ring (5b) into the metal ring (5a).

D. Insert the metal ring (5a) in between bottom of faucet body (1) and sink deck hole.

E. Insert faucet body (1) through sink deck hole.

Step 4: Insert Rubber and Metal washers:

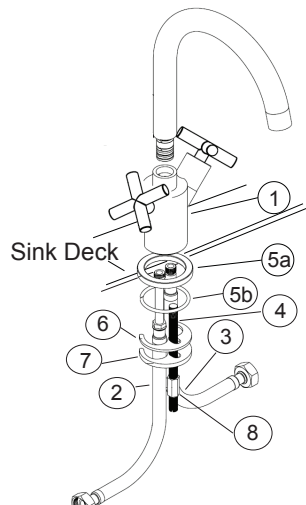
F. Slide black rubber washer (6) and metal washer (7) over steel post (4), so that they fit around supply hoses (2 & 3).

G. Insert nut (8) onto steel post (4).

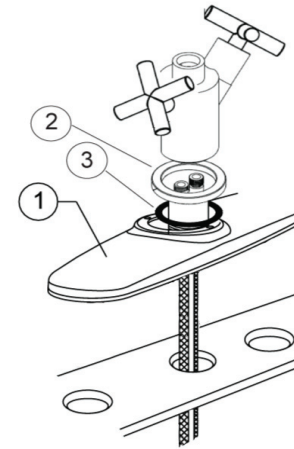
Step 5: Securing all connections:

H. Connect supply hoses to main water supply.

I. Ensure all connections are tight to avoid potential leakage.



Three Hole Installation



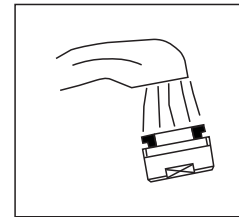
Step 1: Insert plate (1) and metal ring with rubber washer (2 & 3) before inserting spout body into sink deck.

Step 2: Repeat steps 1 to 4 from Single Hole Installation.

Step 3: Secure plate (1).

Step 4: Securing all connectors: Ensure all connections are tightly set in place to avoid leakage.

Test Faucet Installation



A. Move handle into "OFF" position.

B. Turn on water supplies. Check connections for leaks.

C. Remove aerator and let both hot and cold water run for one minute. This will help clean any debris that might otherwise clog the system. Replace aerator.

D. Operate handle up and down, in cold and hot positions, to flush water lines thoroughly.

Maintenance:

Simply rinse the surface with clear water or mild liquid detergents (if necessary) Dry the faucet with a clean soft cotton cloth. Do not use any cleaning agents containing acids, polish abrasives, or harsh cleaners.