



Arezzo

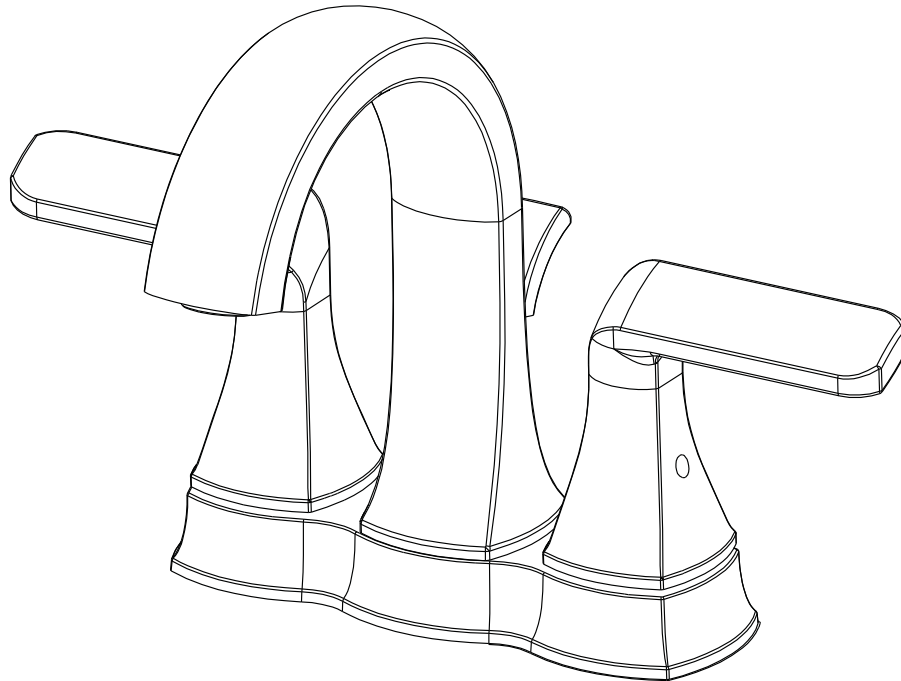


Deck Lavatory Bathroom Faucet

STANDARDS

- ASME A112.18.1/CSA B125.1
- ASME A112.18.2/CSA B125.2
- LISTED IAPMO/cUPC

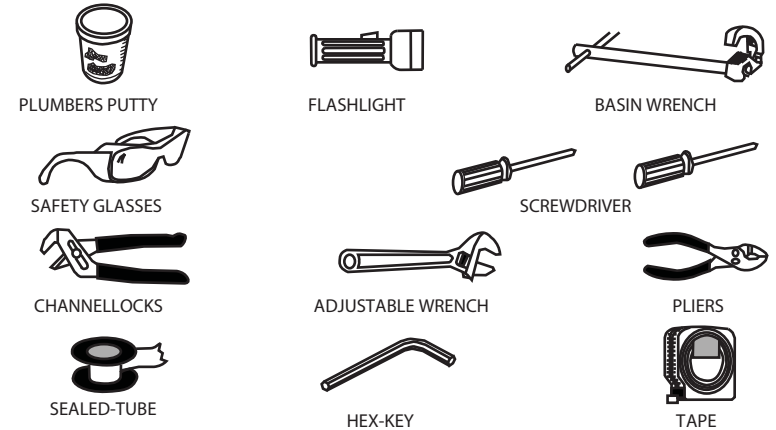
- 1.2 gpm/4.5 L/min



Helpful Information

Tools:

Gather the necessary tools as shown below to complete the installation of this faucet. Some may not be needed depending on the model of faucet you are installing. Check with your local hardware store on the requirements of your installation situation.

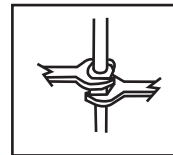


! WARNING:
Please keep the tools for future use!

Attention:

- For easy installation, you will need:
- To read all the installation instructions completely before beginning.
 - To read all the warning, attention and maintenance information.
 - To purchase the proper supply lines.

Important

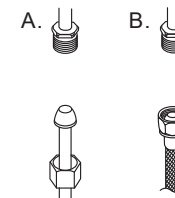


Tighten connection with two wrench to prevent damage to tube body. Be careful not to bend the stem as this will void the product warranty.

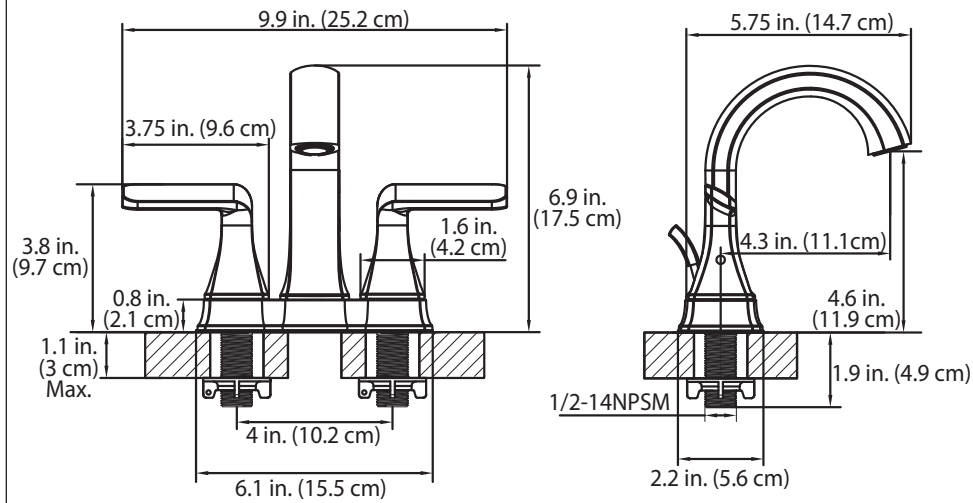
Connect to water supply lines with either:

(A) 3/8" O.D.copper tubing (ball nose risers with the coupling nuts or;

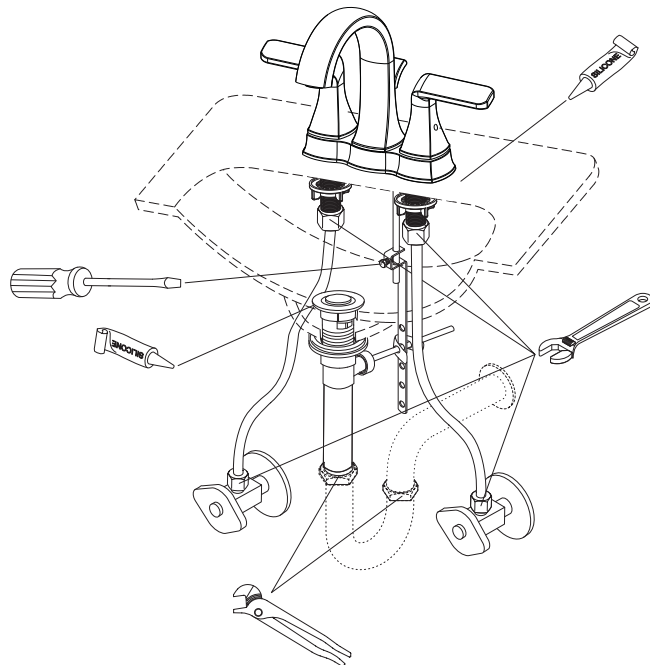
(B) IPS faucet connectors (1/2").



Installation size map



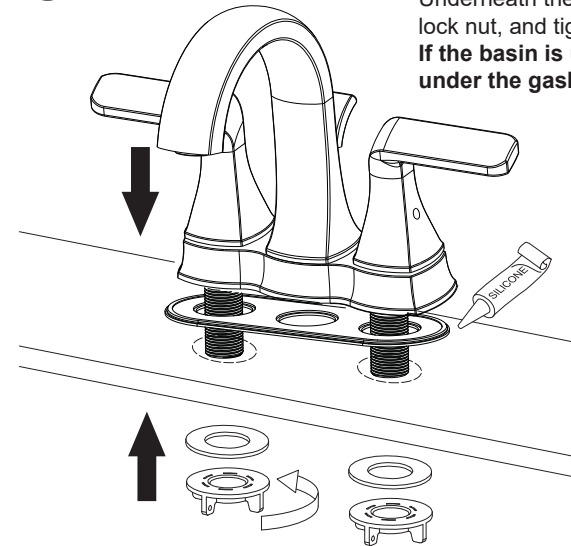
Tools might be applied to the following places:



Faucet Installation

①

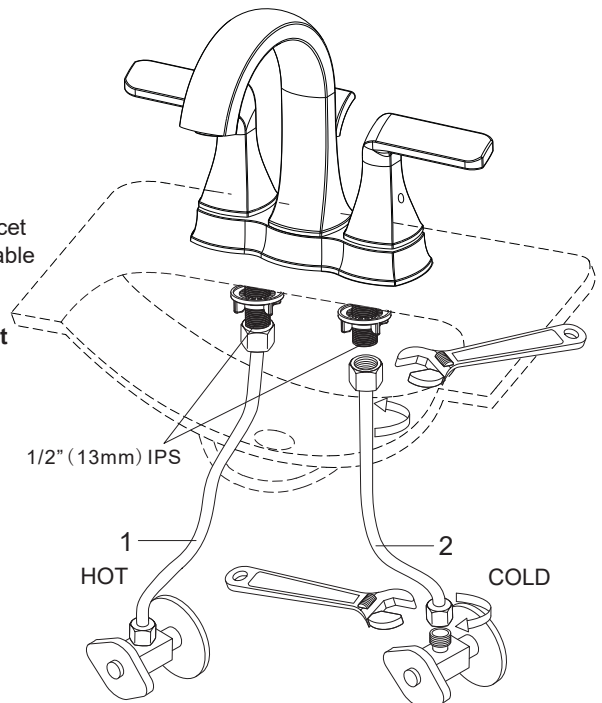
Place the faucet and gasket on the basin. Underneath the basin, assemble the washer and lock nut, and tighten the lock nut by hand. **If the basin is uneven, please use silicone under the gasket.**



②

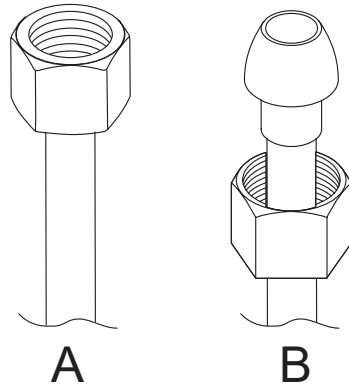
Connect the supply lines to the faucet and secure the nuts with an adjustable wrench.

Warning: Supply line #1 is for hot water, supply line #2 is for cold water, don't mix up.



3

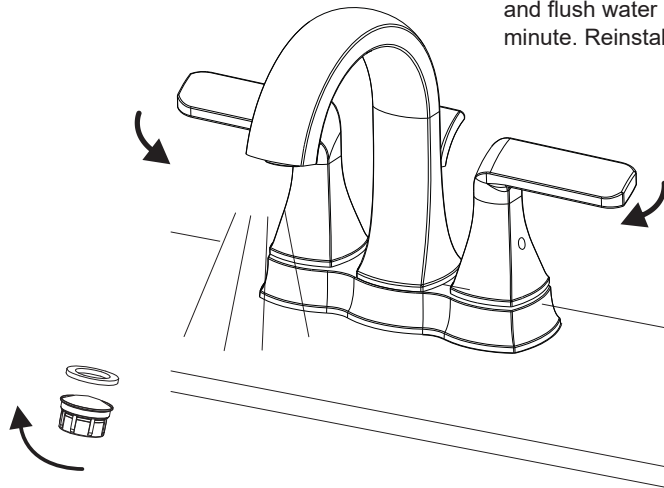
You can use 1/2" IPS faucet connections **A**, or use the coupling nuts with 3/8" O.D. ball-nose risers **B**.



Checking and Testing

4

Remove the aerator by hand. Turn the faucet handle all the way on, turn on hot and cold water supply and flush water lines for one minute. Reinstall aerator by hand.

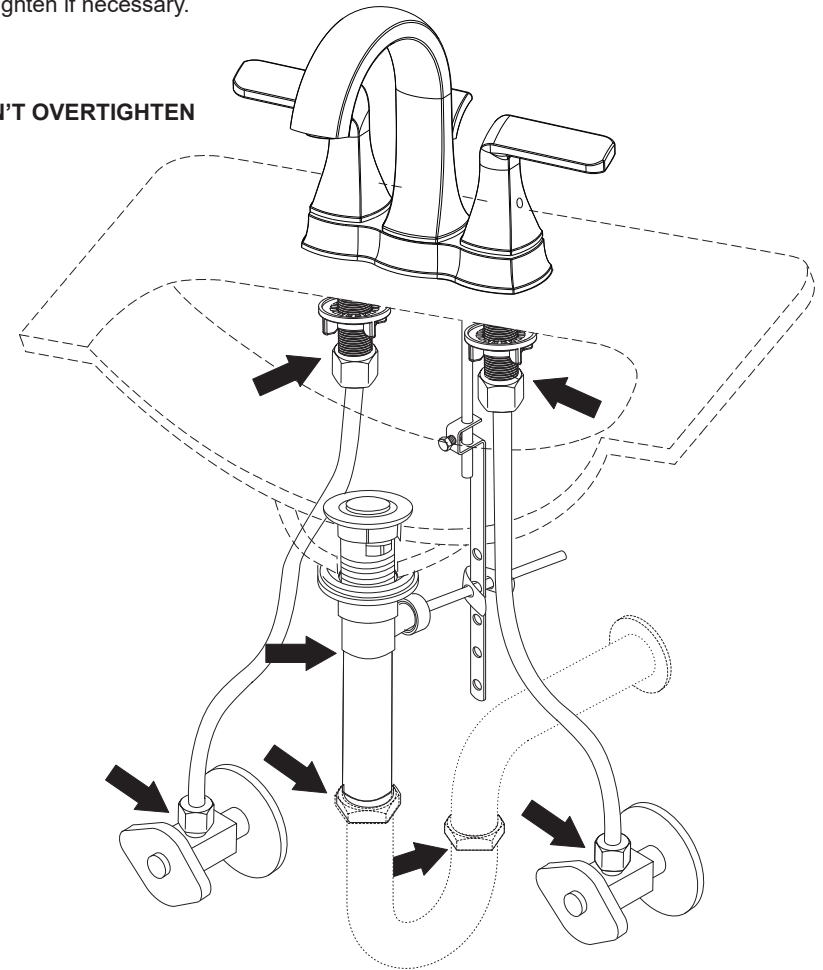


5

Check all connections at arrows for leaks, retighten if necessary.



BUT DON'T OVERTIGHTEN



Maintenance:

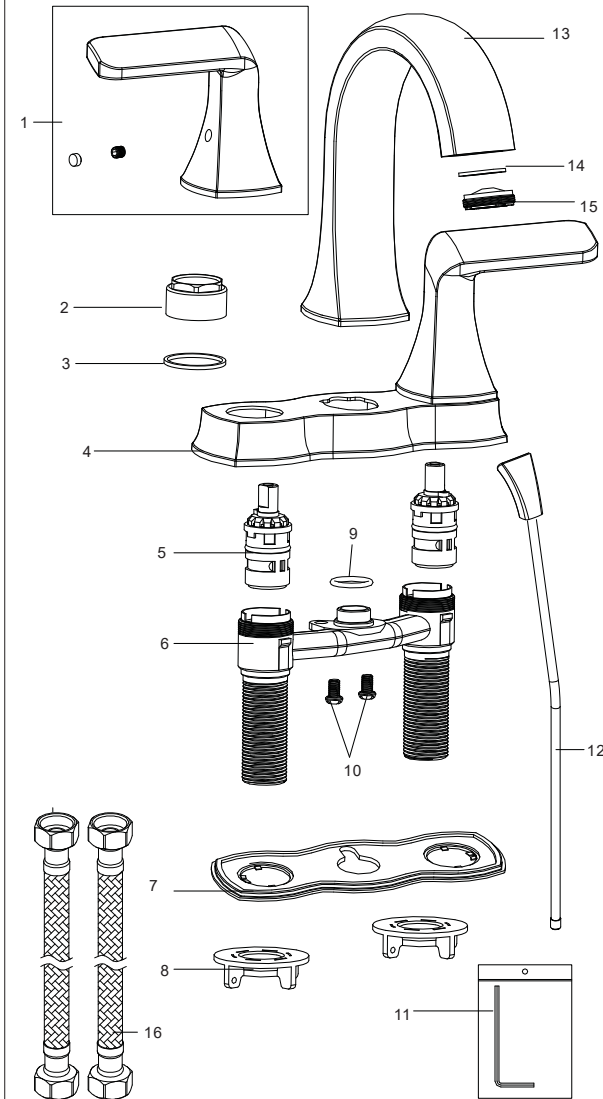
Simply rinse the surface with clear water or mild liquid detergents (if necessary). Dry the faucet with a clean soft cotton cloth. Do not use any cleaning agents containing acids polish abrasives or harsh cleaners.

Cleaning and care

Daily cleaning and care are required in order to keep the product shining and working properly.

1. Clean it with water and dry it with soft cloth.
2. Clean the product with gentle liquid or glass cleaner.
3. Don't use acid cleaner.
4. Don't clean with abrasive material, abrasive paper or knife.

Parts list



NO.	PART NAME
1	Handle assembly
2	Lock nut
3	Washer
4	Plate
5	Cartridge (hot water)
6	Shank
7	Gasket
8	Lock nut
9	O-ring
10	Screw
11	Allen key
12	Lift rod
13	Spout
14	Washer
15	Aerator collar
16	Inlet pipe